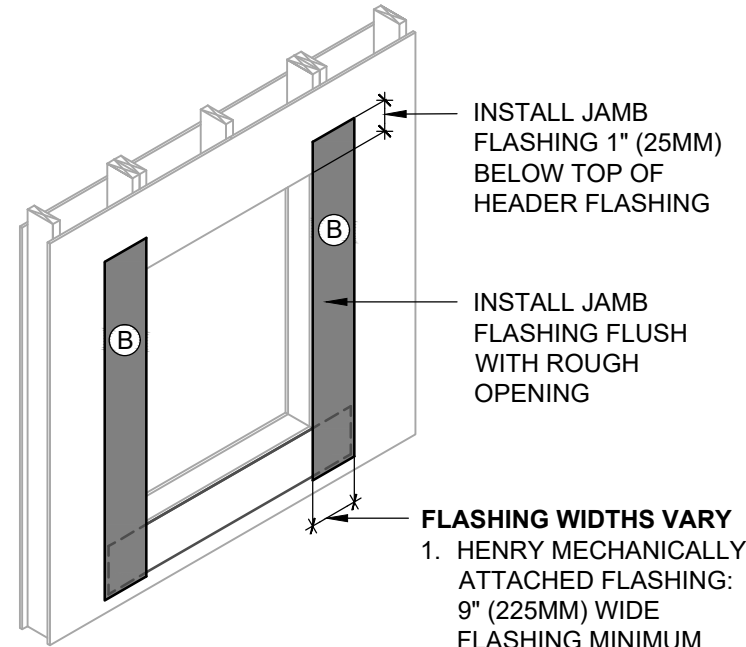


## 1 SILL FLASHING INSTALLATION

- USE THIS METHOD FOR SELF-ADHERED SILL FLASHING:**
1. REMOVE RELEASE PAPER AT TOP OF FLASHING AND ADHERE TOP OF FLASHING INTO PLACE
  2. LEAVE BOTTOM OF RELEASE PAPER INTACT TO PROTECT ADHESIVE FROM DIRT AND DEBRIS
  3. INTEGRATE SILL FLASHING WITH WRB IN STEP #5



## 2 JAMB FLASHING INSTALLATION

- FLASHING WIDTHS VARY**
1. HENRY MECHANICALLY ATTACHED FLASHING: 9" (225MM) WIDE FLASHING MINIMUM
  2. HENRY SELF-ADHERED OR HENRY LIQUID APPLIED FLASHING: 6" (150MM) WIDE FLASHING MINIMUM

# Henry

RESIDENTIAL AND LIGHT COMMERCIAL WEATHER-RESISTIVE BARRIER ASSEMBLY



## HENRY 1-2-3 MOISTURE CONTROL SYSTEM WEATHER-RESISTIVE BARRIER (WRB) INSTALLATION GUIDELINES

### WEATHER-RESISTIVE BARRIER (WRB) COMPONENTS

- (A) HENRY SELF-ADHERED OR MECHANICALLY ATTACHED FLASHING
- (B) HENRY SELF-ADHERED, HENRY LIQUID APPLIED, OR HENRY MECHANICALLY ATTACHED FLASHING
- (C) HENRY MOISTOP SEALANT
- (D) HENRY MECHANICALLY ATTACHED WEATHER-RESISTIVE BARRIER

### NOTES

1. THE DEPICTED DETAIL SHOWS ONE OF THE SEVERAL COMMONLY ACCEPTED METHODS OF WINDOW INSTALLATION.
2. VISIT [WWW.HENRY.COM/WARRANTY](http://WWW.HENRY.COM/WARRANTY) FOR ELIGIBILITY REQUIREMENTS OF THE 15-YEAR RESIDENTIAL AND LIGHT COMMERCIAL HENRY 1-2-3 MOISTURE CONTROL SYSTEM WARRANTY.
3. THIS DETAIL IS SUITABLE FOR **WEATHERSMART, WEATHERSMART COMMERCIAL, WEATHERSMART DRAINABLE, HYDRO TEX, JUMBO TEX, SUPER JUMBO TEX 60 MIN, TWO-PLY JUMBO TEX, TWO-PLY SUPER JUMBO TEX 60 MIN, AND PLYDRY.**



999 N. Pacific Coast Highway, Suite 800  
El Segundo, CA 90245  
800-486-1278 • [www.henry.com](http://www.henry.com)

## MECHANICALLY ATTACHED WEATHER-RESISTIVE BARRIER FLANGED WINDOW - METHOD B

WINDOW INSTALLATION FOR LOW WIND AND WATER EXPOSURE  
FLASHING INSTALLED BEFORE WRB - INSTALLATION SEQUENCE

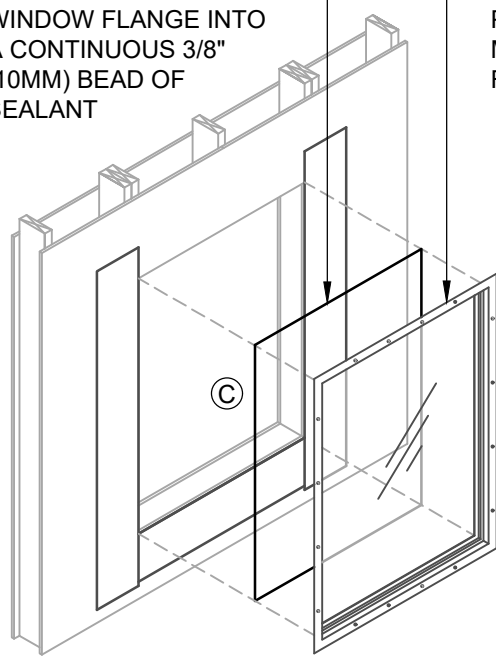
MANUFACTURER INSTALLATION GUIDELINES ARE FOR REFERENCE ONLY. HENRY DOES NOT ASSUME RESPONSIBILITY FOR ERRORS OR DEVIATIONS IN DESIGN OR ENGINEERING. PROJECT SPECIFIC VERIFICATION IS RECOMMENDED PRIOR TO INSTALLATION. DETAILS ARE NOT TO SCALE. REFER TO PRODUCT SPECIFIC TECHNICAL DATA SHEET FOR PRODUCT INFORMATION, RECOMMENDED AUXILIARY COMPONENTS AND INSTALLATION INSTRUCTIONS.

11-05-2021

PAGE 1 OF 2

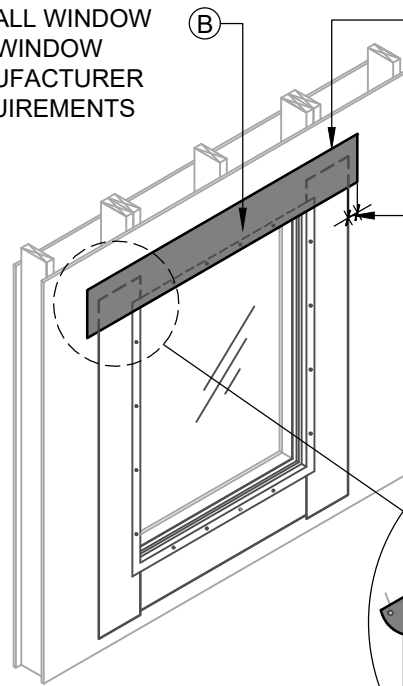
MAWRB-6B-L2

SET INTERIOR SIDE OF WINDOW FLANGE INTO A CONTINUOUS 3/8" (10MM) BEAD OF SEALANT



### 3 WINDOW INSTALLATION

INSTALL WINDOW PER WINDOW MANUFACTURER REQUIREMENTS



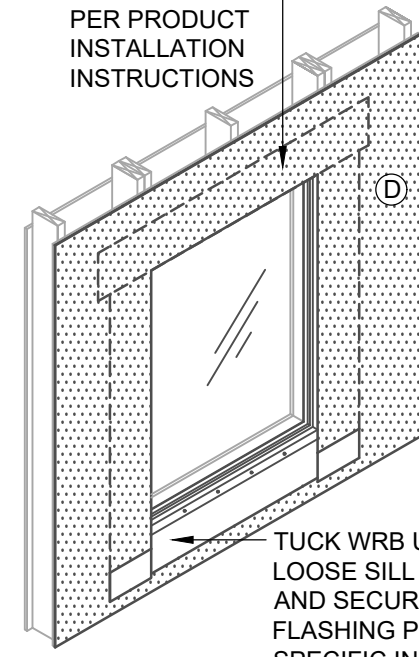
### 4 HEADER FLASHING INSTALLATION

INSTALL HEADER FLASHING OVER WINDOW HEAD FLANGE

EXTEND HEADER FLASHING 1" (25MM) MINIMUM BEYOND JAMB FLASHING

USE THIS METHOD FOR MECHANICALLY ATTACHED FLASHING: EMBED FLASHING WITH 3/8" BEAD OF SEALANT ON MOUNTING FLANGE

INSTALL WRB PER PRODUCT INSTALLATION INSTRUCTIONS



### 5 WEATHER-RESISTIVE BARRIER (WRB)

TUCK WRB UNDER LOOSE SILL FLASHING AND SECURE SILL FLASHING PER PRODUCT SPECIFIC INSTRUCTIONS

#### INSTALLATION GUIDELINES AND LIMITATIONS

1. INSTALLATION "METHOD B" REFERS TO COMMON WINDOWS (SURFACE MOUNTED). INSTALL WINDOW PER WINDOW MANUFACTURER REQUIREMENTS.
2. SEE PRODUCT SPECIFIC TECHNICAL DATA SHEET FOR ROLL SIZES, MAXIMUM UV EXPOSURE, COMPATIBILITY CONCERNS, APPLICATION TEMPERATURES AND SERVICE TEMPERATURE LIMITATIONS.
3. REFER TO THE HENRY PRODUCT SPECIFIC WRB GUIDE SPECIFICATION FOR RECOMMENDED FLASHINGS.
4. FLASHINGS MAY NOT BE COMPATIBLE WITH ALL SEALANTS. USE SEALANTS AS INDICATED OR VERIFY COMPATIBILITY AS DIRECTED IN AAMA 713.
5. INSTALLATIONS WITHOUT A DRAINAGE SILL PAN ARE LIMITED TO LOW WIND AND WATER EXPOSURE CONDITIONS.
6. SELF-ADHERED MEMBRANES MAY REQUIRE A PRIMER FOR OPTIMAL ADHESION TO SOME SURFACES AND/OR SUBSTRATE TEMPERATURES.
7. ROLL SELF-ADHERED MEMBRANES TO OBTAIN CONTINUOUS ADHESION.
8. VERIFY WEATHER-RESISTIVE BARRIER IS FREE FROM PROTRUSIONS OR DAMAGE PRIOR TO CLADDING INSTALLATION.
9. CONTACT HENRY AT 800-773-4777 FOR TECHNICAL ASSISTANCE.

**Henry**<sup>®</sup>

999 N. Pacific Coast Highway, Suite 800  
El Segundo, CA 90245  
800-486-1278 • www.henry.com

## MECHANICALLY ATTACHED WEATHER-RESISTIVE BARRIER FLANGED WINDOW - METHOD B

WINDOW INSTALLATION FOR LOW WIND AND WATER EXPOSURE  
FLASHING INSTALLED BEFORE WRB - INSTALLATION SEQUENCE

MANUFACTURER INSTALLATION GUIDELINES ARE FOR REFERENCE ONLY. HENRY DOES NOT ASSUME RESPONSIBILITY FOR ERRORS OR DEVIATIONS IN DESIGN OR ENGINEERING. PROJECT SPECIFIC VERIFICATION IS RECOMMENDED PRIOR TO INSTALLATION. DETAILS ARE NOT TO SCALE. REFER TO PRODUCT SPECIFIC TECHNICAL DATA SHEET FOR PRODUCT INFORMATION, RECOMMENDED AUXILIARY COMPONENTS AND INSTALLATION INSTRUCTIONS.

11-05-2021

PAGE 2 OF 2

MAWRB-6B-L2