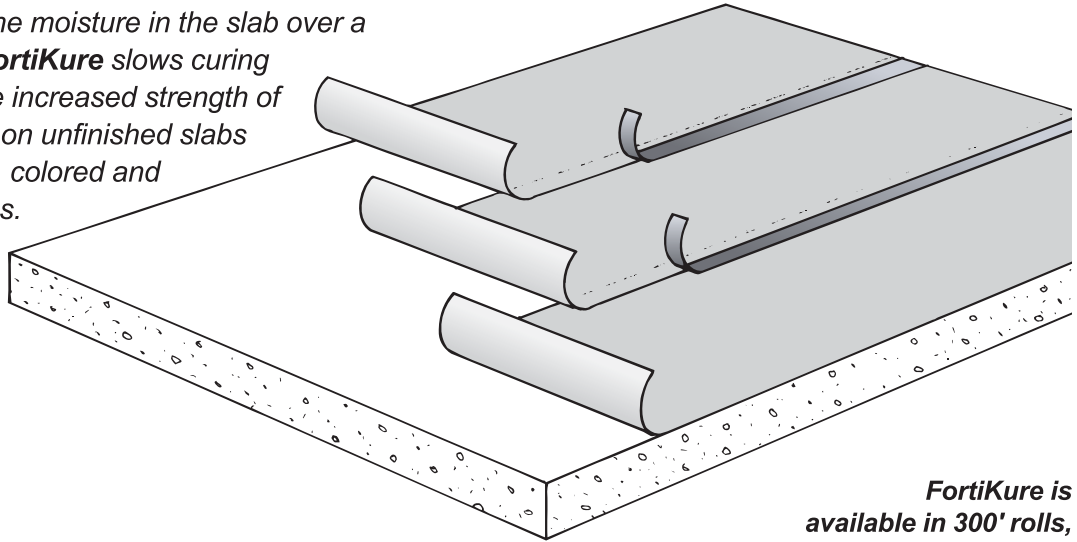


FORTIKURE™

A GUIDE TO INSTALLATION

FortiKure supports the uniform wet curing of concrete in a very efficient and cost effective manner. By holding the moisture in the slab over a longer time period, **FortiKure** slows curing and contributes to the increased strength of the finished concrete on unfinished slabs as well as decorative, colored and stained concrete slabs.



FortiKure is available in 300' rolls, in 3', 4', 6' and 8' widths.

PREPARATION

Ensure items which pass through the membrane are properly and rigidly installed, substrate is free of projections and irregularities which may be detrimental to proper installation of membrane.

INSTALLATION

- 1) Follow the procedures as outlined in American Concrete Institute (ACI) 308 R Guide to Curing Concrete.
- 2) As soon as the concrete has been finished and is sufficiently set to permit application without marring the surface of the concrete, unroll **FortiKure** over the entire area, laid smooth without folds or bunches of material.

3) **FortiKure** must be lapped by a minimum of 6 inches.

4) Depending upon jobsite conditions, laps may be sealed with Fortifiber Tape or equal product, or left unsealed.

Limitations: Inspect product to ensure it is free of any rips or tears which may detract the product's integrity.

Call 1-800-773-4777 Nationwide for Technical Assistance or visit our Web site at www.fortifiber.com



Fortifiber Building Systems Group®

Protecting Your World from the Elements®