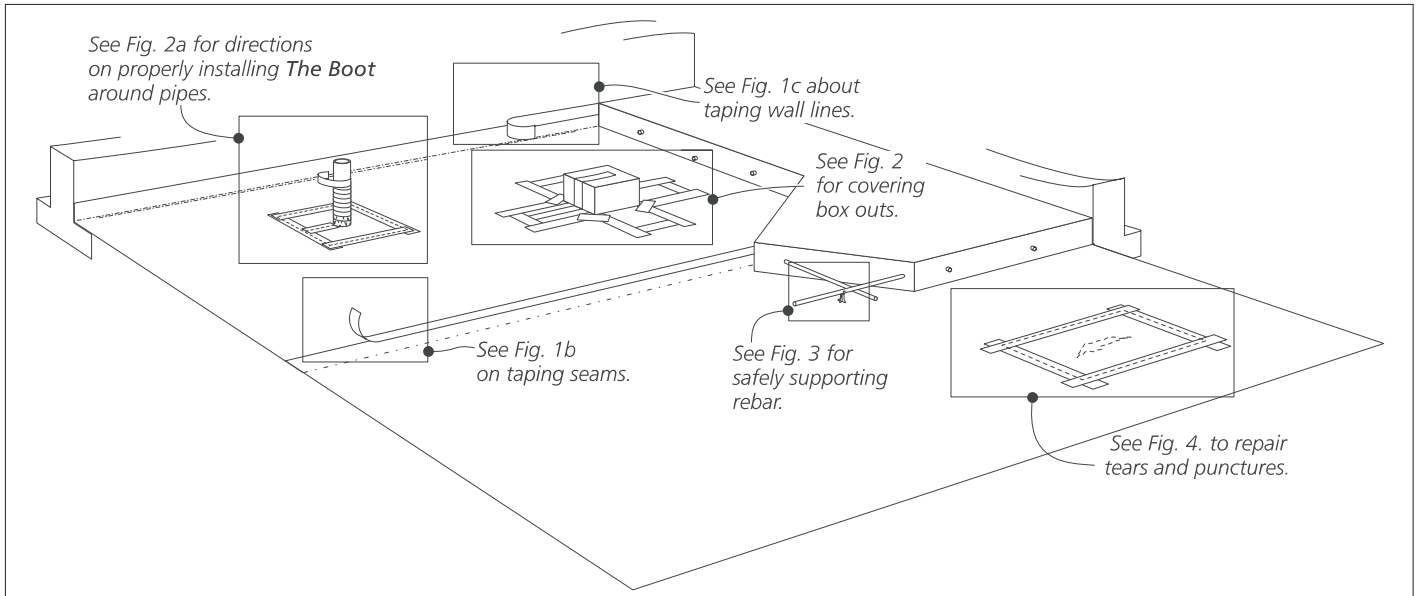
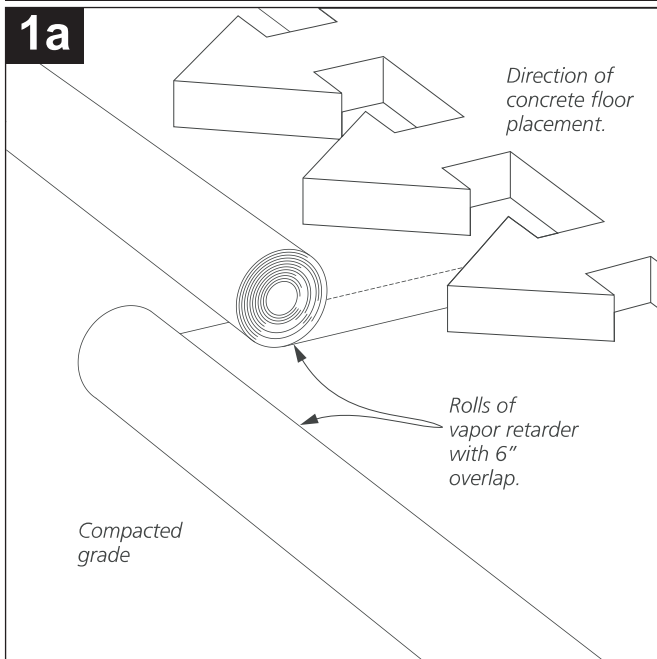


INSTALLING AN UNDERSLAB VAPOR RETARDER USING MOISTOP ULTRA[®] 15, 10, 6, and THE BOOT[®]

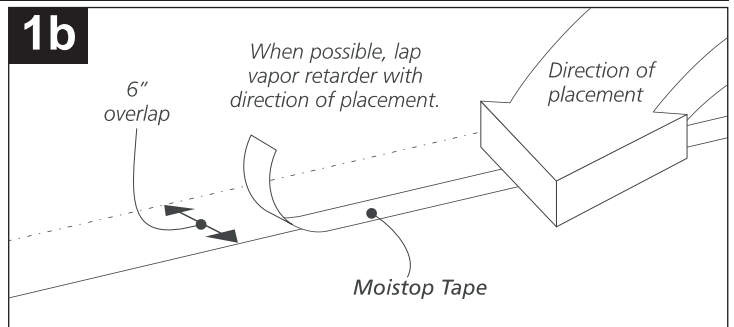
THE MOISTOP LINE OF VAPOR RETARDERS IS DESIGNED FOR SLABS ON-GRADE TO STOP THE MIGRATION OF MOISTURE VAPOR UP THROUGH THE SLAB. THIS GUIDE IS BASED ON THE PROCEDURES OUTLINED IN ASTM E-1643.



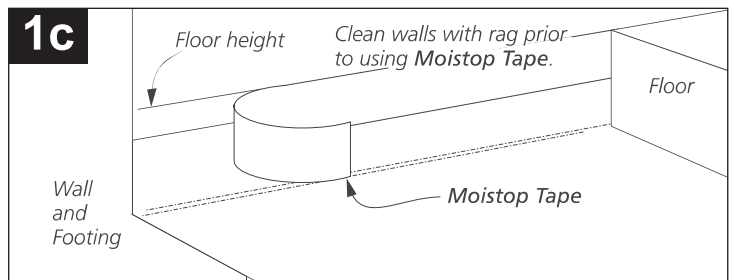
1 INSTALLING AN UNDERSLAB VAPOR RETARDER



After the base for the concrete has been leveled and compacted, install vapor retarder over the base and the compacted fill. Make sure that the longest dimension is running parallel to the placement direction of the concrete. See Fig. 1a.



Overlap any seams at a minimum of 6". **Note:** When possible, lap these seams in the direction of the floor placement also. See Fig. 1b. Use **Moistop[®] Tape** to seal seams.



Run vapor retarder across the footing and return it up the wall. Complete this step by sealing with **Moistop[®] Tape**. See Fig. 1c.

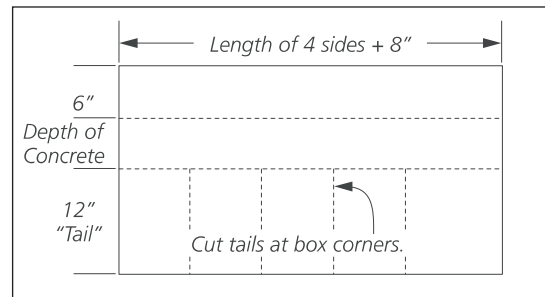
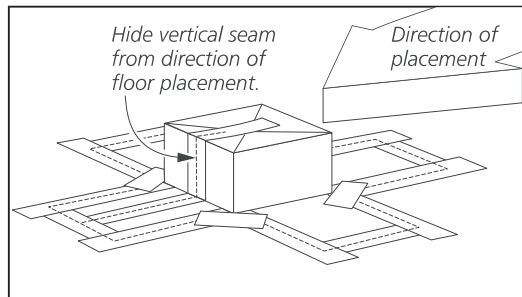
CONTINUED ON BACK...

CONTINUED FROM FRONT...

2

MODIFYING VAPOR RETARDERS

For square box-outs or piers in the floor use the diagram at the far right as a guideline for applying vapor retarder. Make sure to “hide” vertical seam from direction of concrete placement.



2a

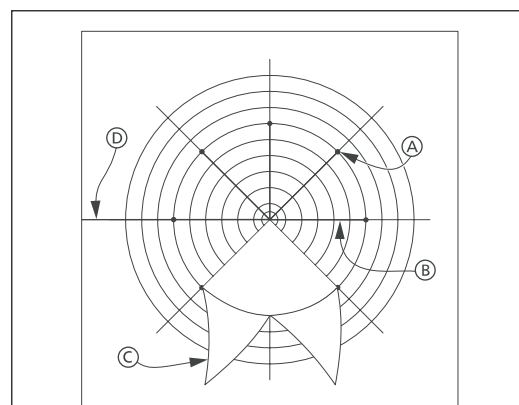
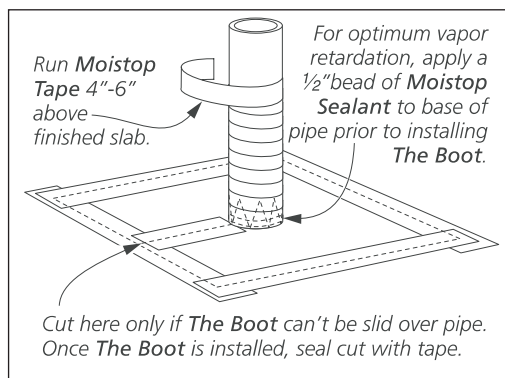
INSTALLING THE BOOT AROUND PIPES

Fortifiber's **The Boot** is designed for ease of installation around pipes.

Select and mark the 8 points on **The Boot** that match the outside diameter of the pipe. Use a utility knife and slice **The Boot** along the 8 radiating lines out to the marks you've made (see Detail, far right).

Next, slide **The Boot** over the pipe and press it all the way down to the base. *There must be no space between **The Boot** and the base.*

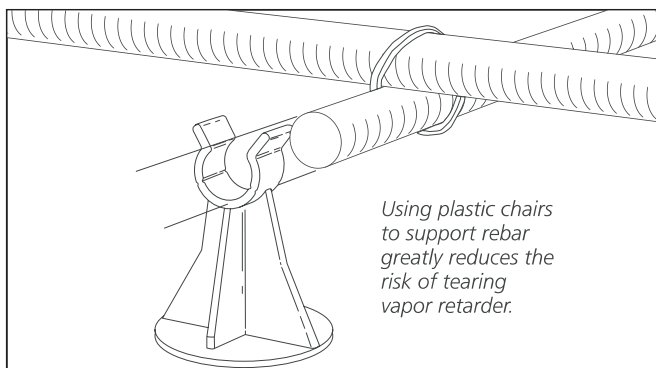
Using **Moistop Tape**, start at the bottom and tape the fingers of **The Boot** to the pipe by lapping the tape up the pipe. Run the tape 4 to 6 inches above the finished slab. Then tape 4 sides to the vapor retarder (see art above). **Note:** If pipe runs onto the floor above, slice **The Boot** apart at one point to allow it to be wrapped around pipe. Seal this cut with tape.



- A. Mark outside diameter of pipe.
- B. Cut on radiating lines.
- C. Fold back cuts and slide **The Boot** over pipe.
- D. If **The Boot** can't be slid over pipe, cut through **The Boot** along one line. Then wrap **The Boot** around pipe, and seal with **Moistop Tape**.

3

SUPPORTING REBAR

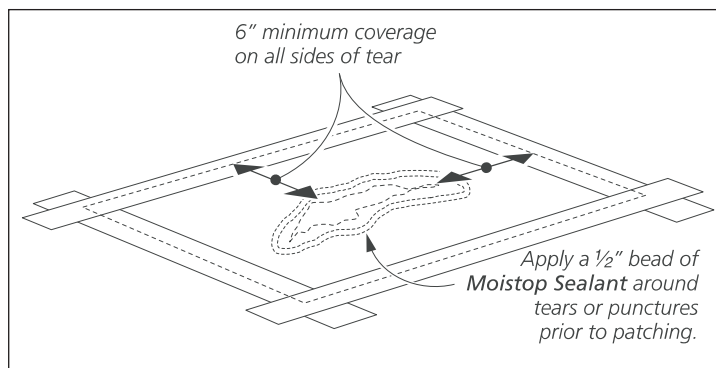


When installing rebar **Fortifiber** suggests using plastic chairs for support (see above). These are available in various heights and greatly reduce the risk of tearing vapor retarder.

Limitations: Product should be covered as soon as possible. Inspect product to ensure it is free of any punctures or damage which may detract from the underslab vapor retarder integrity. Product should be as clean and dry as possible before sealing with **Moistop Tape**. Not recommended for below grade vertical waterproofing applications. **Moistop Underslab** is not recommended for use in conjunction with non-permeable floor coverings or where base aggregate exceeds 3/4" nominal size.

Call 1-800-773-4777 for Technical Assistance
www.fortifiber.com

4 REPAIRING VAPOR RETARDERS



If patching and/or repairs of vapor retarder is necessary, the following is recommended. First, surround the tear with a 1/2" bead of **Moistop Sealant**. Then apply a patch of vapor retarder extending a minimum of 6" beyond the outer edges of the damaged area. Place the patch directly over the damaged area and seal with **Moistop Tape**.



Fortifiber Building Systems Group®

Protecting Your World from the Elements®

NATIONAL SALES OFFICE – Fernley, NV

(9/16/15)