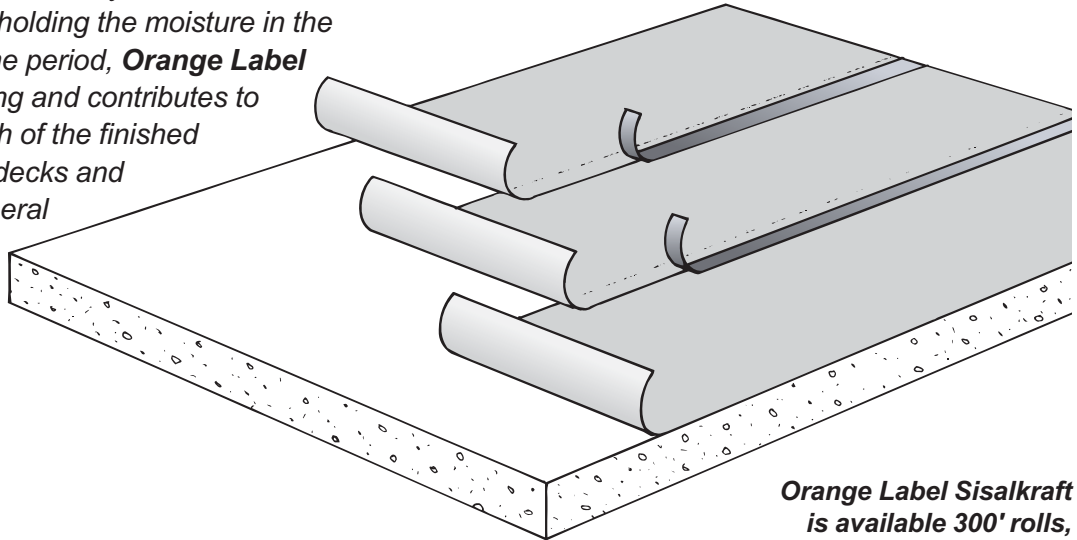


ORANGE LABEL SISALKRAFT®

A GUIDE TO INSTALLATION

Orange Label Sisalkraft supports the uniform wet curing of concrete in a very efficient and cost effective manner. By holding the moisture in the slab over a longer time period, **Orange Label Sisalkraft** slows curing and contributes to the increased strength of the finished concrete in elevated decks and slabs in highway, general engineering, institutional and building construction.



Orange Label Sisalkraft is available 300' rolls, in 3', 4', 6' and 8' widths.

PREPARATION

Ensure items which pass through the membrane are properly and rigidly installed, substrate is free of projections and irregularities which may be detrimental to proper installation of membrane.

INSTALLATION

- 1) Follow the procedures as outlined in American Concrete Institute (ACI) 308 R Guide to Curing Concrete.
- 2) As soon as the concrete has been finished and is sufficiently set to permit application without marring the surface of the concrete, unroll **Orange Label Sisalkraft** over the entire area, laid smooth without folds or bunches of material.

- 3) **Orange Label Sisalkraft** must be lapped by a minimum of 6 inches.

- 4) Depending upon jobsite conditions, laps may be sealed with Fortifiber Tape or equal product, or left unsealed.

Limitations: Inspect product to ensure it is free of any rips or tears which may detract the product's integrity.

Call 1-800-773-4777 Nationwide for Technical Assistance or visit our Web site at www.fortifiber.com



Fortifiber Building Systems Group®

Protecting Your World from the Elements®