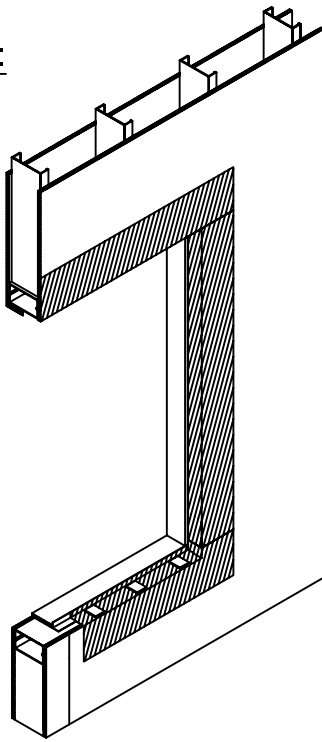
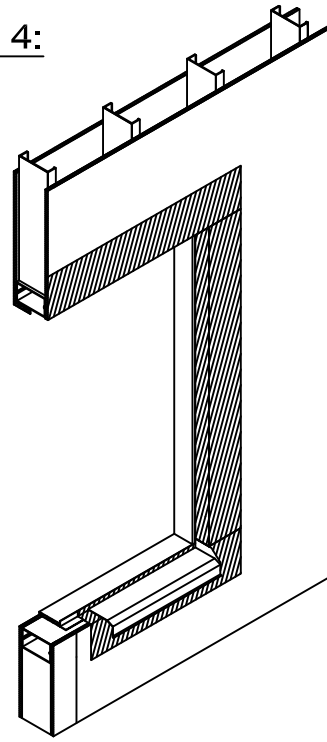


**STEP 3:**



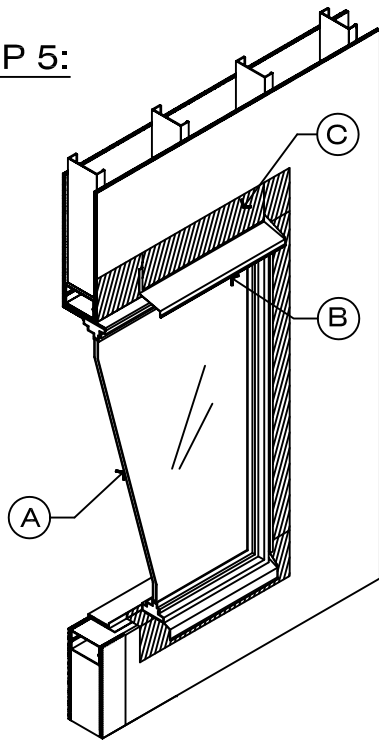
INSTALL INTERMITTENT SHIMS AT WINDOW SILL TO PROVIDE LEVEL SUPPORT AS REQUIRED BY WINDOW MANUFACTURER.

**STEP 4:**



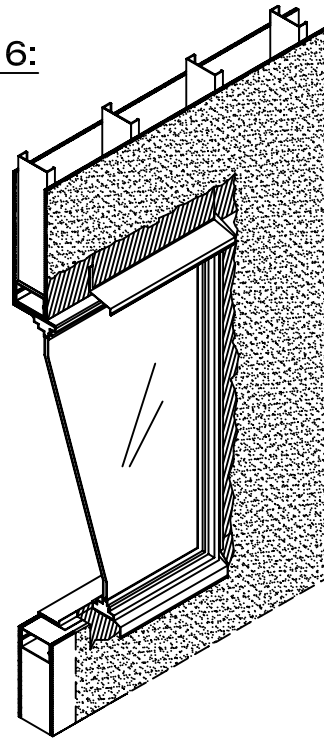
INSTALL METAL FLASHING AT SILL

**STEP 5:**



- A. INSTALL WINDOW
- B. INSTALL METAL HEAD FLASHING
- C. INSTALL METALCLAD/FOILSKIN MEMBRANE OVER METAL FLASHING

**STEP 6:**



APPLY AIR-BLOC 33MR ONTO SHEATHING, LAPPING ONTO METALCLAD/FOILSKIN AT WINDOW PERIMETER.



VAPOR PERMEABLE AIR-BLOC MEMBRANE

SCALE: N.T.S.

STEEL STUD / REBATE WINDOW INSTALLATION

10-09-13

SEQUENCE  
DETAIL

AB-H123B