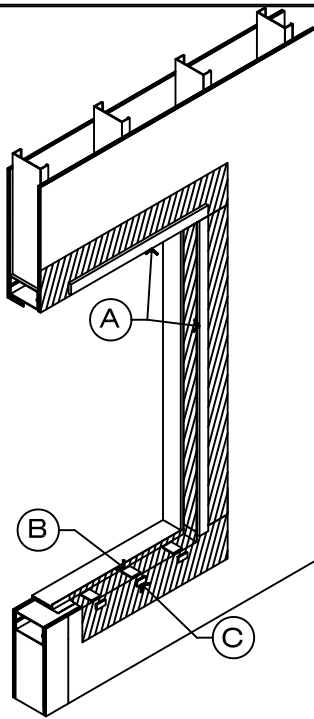
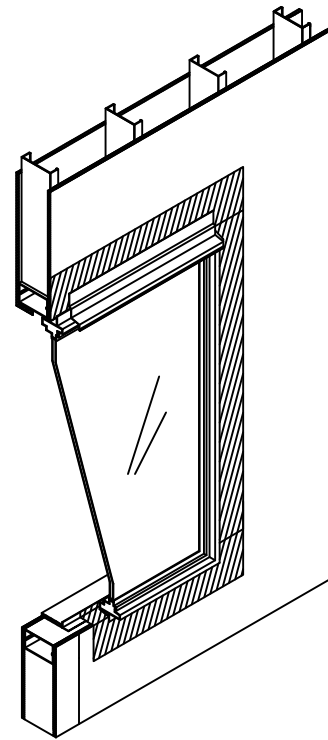


STEP 3:



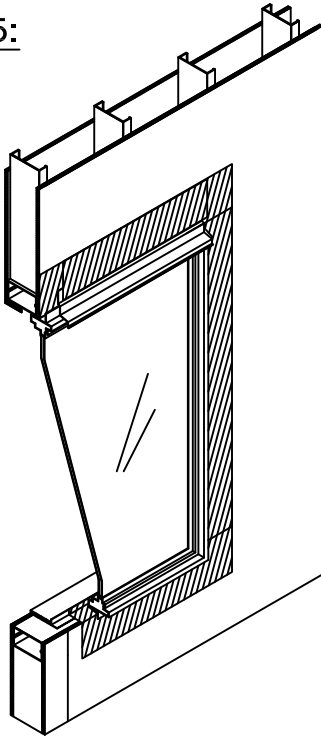
- A. INSTALL CONTINUOUS SHIMS AT HEAD AND JAMBS
- B. PROVIDE SHIMS AT SILL AS REQUIRED FOR LEVEL MOUNT AND TO SUPPORT THE WINDOW PER MANUFACTURER'S REQUIREMENTS.
- C. PROVIDE INTERMITTENT SHIMS AT EACH PRE-PUNCHED HOLE AT WINDOW SILL FLANGE

STEP 4:



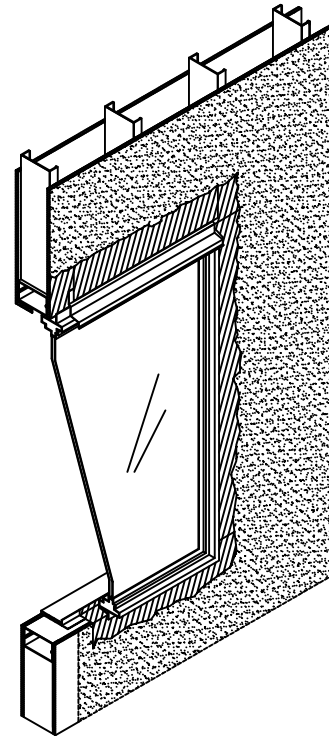
- A. INSTALL WINDOW: SET HEAD AND JAMB WINDOW NAILING FLANGES IN CONTINUOUS BEAD OF SEALANT
- B. INSTALL METAL HEAD FLASHING

STEP 5:



INSTALL METALCLAD/FOILSKIN OVER METAL FLASHING

STEP 6:



APPLY AIR-BLOC 33MR ONTO SHEATHING, LAPPING ONTO METALCLAD/FOILSKIN AT WINDOW PERIMETER.

Henry
COMPANY®

VAPOR PERMEABLE AIR-BLOC 33MR MEMBRANE

SCALE: N.T.S.

STEEL STUD / FLANGED WINDOW INSTALLATION

FIT TO PAPER

**SEQUENCE
DETAIL**

AB-H124B