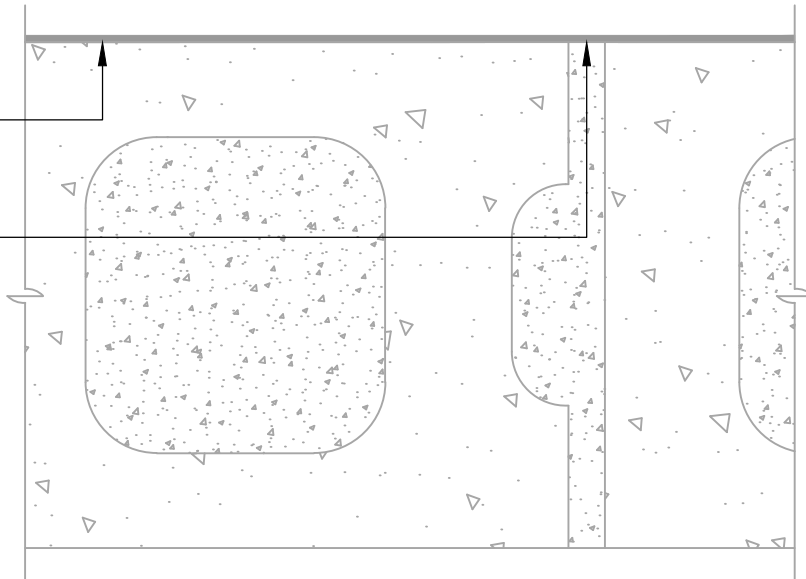


AIR-BLOC 17MR

FILL GROUT AND STRIKE MORTAR FULL AND FLUSH WITH FACE OF BLOCK (SEE NOTE #2)

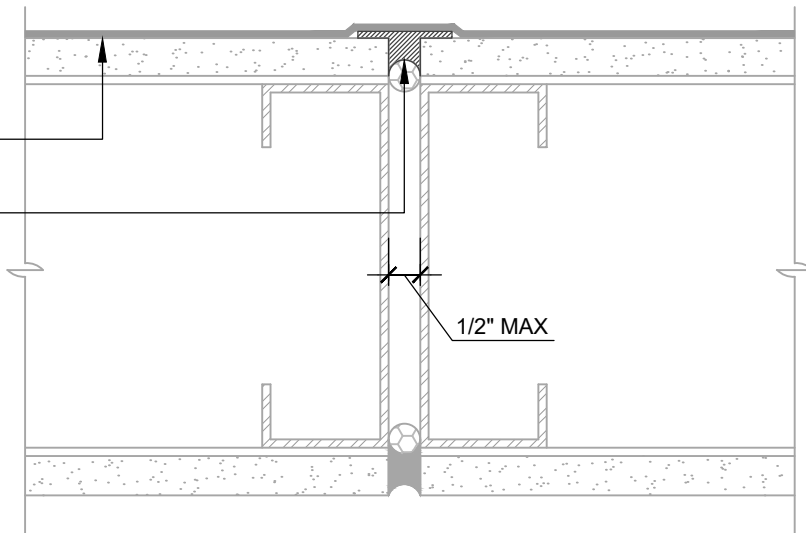


CMU MORTAR JOINTS (PLAN VIEW)

STRIKE MORTAR FULL AND FLUSH

AIR-BLOC 17MR

HENRY 925 BES SEALANT OR AIR-BLOC LF



GAPS UP TO 1/2" MAX (PLAN VIEW)

FLASHING INSTALLED BEFORE WRB

NOTES:

1. DETAIL SHOWS AIR-BLOC 17MR FLUID APPLIED VAPOR PERMEABLE AIR BARRIER. SUBSTRATE SHOWN IS FOR REFERENCE ONLY. ACCEPTABLE SUBSTRATES INCLUDE PLYWOOD, OSB, CONCRETE, CMU, METAL, AND EXTERIOR GRADE SHEATHING.
2. FILL GROUT AND STRIKE CMU JOINTS FULL AND FLUSH TO CREATE A CONTINUOUS SUBSTRATE. REFER TO PRODUCT SPECIFIC TECHNICAL DATA SHEET FOR CURE TIME PRIOR TO AIR BARRIER INSTALLATION.
3. INSTALL AIR-BLOC 17MR TO ACHIEVE A CONTINUOUS WATER-RESISTIVE BARRIER (WRB). INSULATION, CLADDING AND OPTIONAL VAPOR BARRIER NOT SHOWN FOR CLARITY. REFER TO LOCAL CODE ORDINANCES FOR INSULATION AND VAPOR BARRIER REQUIREMENTS.
4. REFER TO PRODUCT SPECIFIC TECHNICAL DATA SHEET (TDS) AND AIR-BLOC 17MR GUIDE SPECIFICATION FOR INSTALLATION PROCEDURES.

Henry[®]

999 N. Pacific Coast Highway, Suite 800
El Segundo, CA 90245
800-486-1278 • www.henry.com

MANUFACTURER GUIDE DETAILS ARE FOR REFERENCE ONLY. HENRY DOES NOT ASSUME RESPONSIBILITY FOR ERRORS OR DEVIATIONS IN DESIGN OR ENGINEERING. PROJECT SPECIFIC VERIFICATION IS RECOMMENDED PRIOR TO INSTALLATION.

AIR-BLOC 17MR FLUID APPLIED VAPOR PERMEABLE AIR BARRIER

NON-MOVING JOINTS

**CMU MORTAR JOINTS AND
SUBSTRATE GAPS UP TO 1/2" WIDE MAXIMUM**

SCALE: N.T.S.

03-05-2020

AB17MR-8A