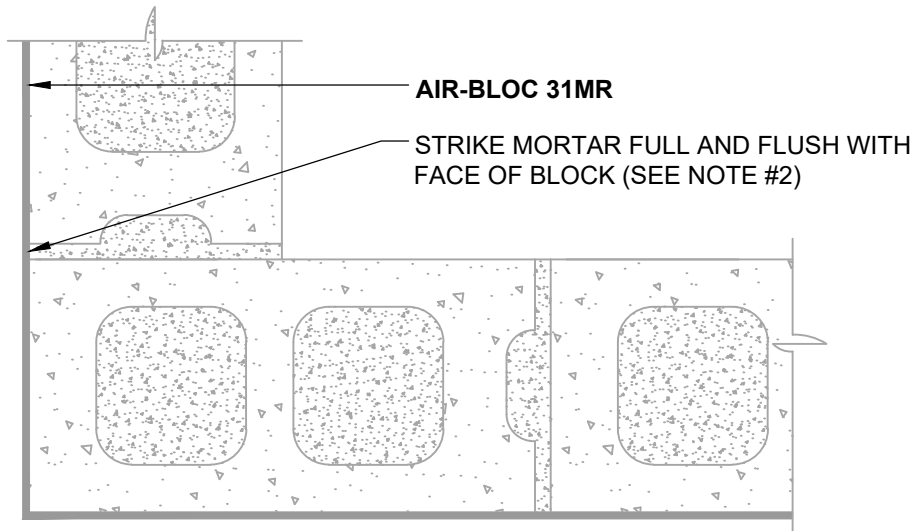


INSIDE CORNER (PLAN VIEW)

STRIKE MORTAR FULL AND FLUSH



OUTSIDE CORNER (PLAN VIEW)

STRIKE MORTAR FULL AND FLUSH

NOTES:

1. DETAIL SHOWS **AIR-BLOC 31MR FLUID APPLIED VAPOR PERMEABLE AIR BARRIER**. THIS DETAIL IS FOR CMU SUBSTRATES ONLY. REFER TO AB31MR-3A-1 AND AB31MR-3A-2 FOR OTHER SUBSTRATE FLASHINGS.
2. FILL GROUT AND STRIKE CMU JOINTS FULL AND FLUSH TO CREATE A CONTINUOUS SUBSTRATE. REFER TO PRODUCT SPECIFIC TECHNICAL DATA SHEET FOR CURE TIME PRIOR TO AIR BARRIER INSTALLATION.
3. INSULATION, CLADDING AND OPTIONAL VAPOR BARRIER NOT SHOWN FOR CLARITY. REFER TO LOCAL CODE ORDINANCES FOR INSULATION AND VAPOR BARRIER REQUIREMENTS.
4. REFER TO PRODUCT SPECIFIC TECHNICAL DATA SHEET (TDS) AND **AIR-BLOC 31MR** GUIDE SPECIFICATION FOR INSTALLATION PROCEDURES.

MANUFACTURER GUIDE DETAILS ARE FOR REFERENCE ONLY. HENRY DOES NOT ASSUME RESPONSIBILITY FOR ERRORS OR DEVIATIONS IN DESIGN OR ENGINEERING. PROJECT SPECIFIC VERIFICATION IS RECOMMENDED PRIOR TO INSTALLATION.

AIR-BLOC 31MR FLUID APPLIED VAPOR PERMEABLE AIR BARRIER

INSIDE/OUTSIDE CORNERS

**CONCRETE MASONRY UNITS (CMU)
STRIKE MASONRY JOINTS FLUSH**

SCALE: N.T.S.

03-05-2020

AB31MR-3B

Henry[®]

999 N. Pacific Coast Highway, Suite 800
El Segundo, CA 90245
800-486-1278 • www.henry.com