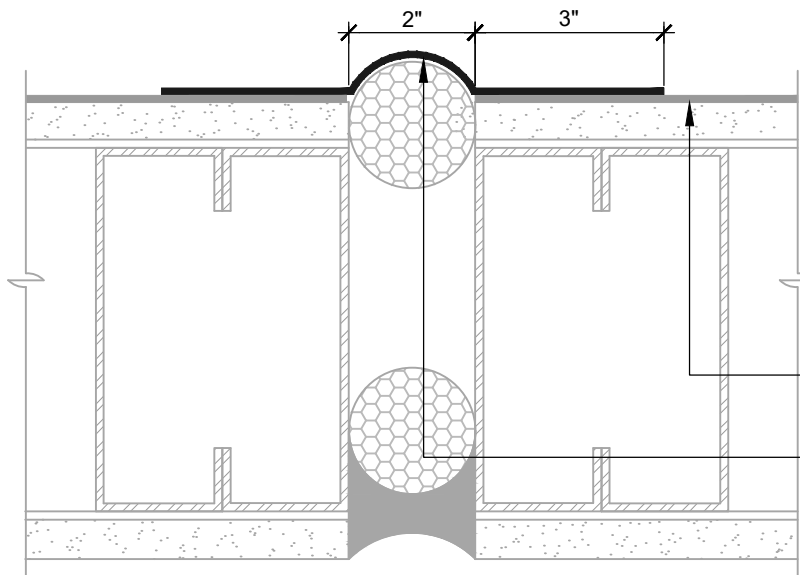
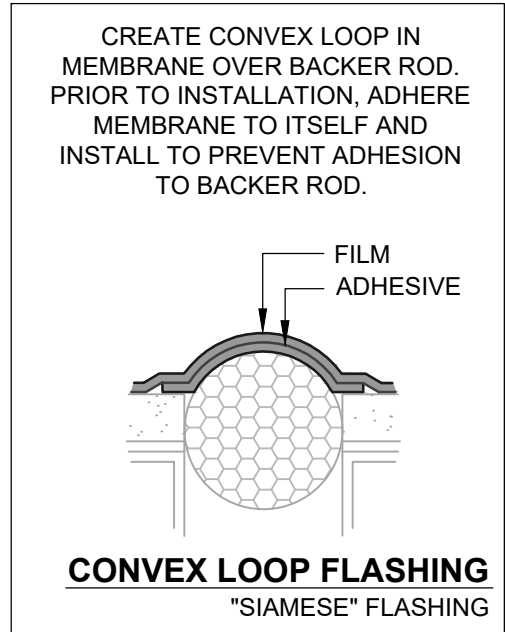


GAPS UP TO 2" MAX (PLAN VIEW)
FLASHING INSTALLED BEFORE WRB

AIR-BLOC 31MR
LAP AIR BARRIER 1" ONTO FLASHING

BLUESKIN SA
(SEE CONVEX LOOP FLASHING DETAIL)



GAPS UP TO 2" MAX (PLAN VIEW)
FLASHING INSTALLED AFTER WRB

AIR-BLOC 31MR

BLUESKIN SA
(SEE CONVEX LOOP FLASHING DETAIL)

NOTES:

1. DETAIL SHOWS **AIR-BLOC 31MR FLUID APPLIED VAPOR PERMEABLE AIR BARRIER**. SUBSTRATE SHOWN IS FOR REFERENCE ONLY. ACCEPTABLE SUBSTRATES INCLUDE PLYWOOD, OSB, CONCRETE, CMU, METAL, AND EXTERIOR GRADE SHEATHING.
2. OTHER FLASHING OPTIONS INCLUDE: **BLUESKIN SA LT, BLUESKIN BUTYL FLASH OR BLUESKIN METAL CLAD**.
3. INSTALL **AIR-BLOC 31MR** TO ACHIEVE A CONTINUOUS WATER-RESISTIVE BARRIER (WRB). INSULATION, CLADDING AND OPTIONAL VAPOR BARRIER NOT SHOWN FOR CLARITY. REFER TO LOCAL CODE ORDINANCES FOR INSULATION AND VAPOR BARRIER REQUIREMENTS.
4. REFER TO PRODUCT SPECIFIC TECHNICAL DATA SHEET (TDS) AND **AIR-BLOC 31MR** GUIDE SPECIFICATION FOR INSTALLATION PROCEDURES.

MANUFACTURER GUIDE DETAILS ARE FOR REFERENCE ONLY. HENRY DOES NOT ASSUME RESPONSIBILITY FOR ERRORS OR DEVIATIONS IN DESIGN OR ENGINEERING. PROJECT SPECIFIC VERIFICATION IS RECOMMENDED PRIOR TO INSTALLATION.

AIR-BLOC 31MR FLUID APPLIED VAPOR PERMEABLE AIR BARRIER

NON-MOVING JOINTS

**SUBSTRATE GAPS UP TO 2" WIDE MAXIMUM
SELF-ADHERED FLASHING**

SCALE: N.T.S.

03-05-2020

AB31MR-8C1

Henry[®]

999 N. Pacific Coast Highway, Suite 800
El Segundo, CA 90245
800-486-1278 • www.henry.com