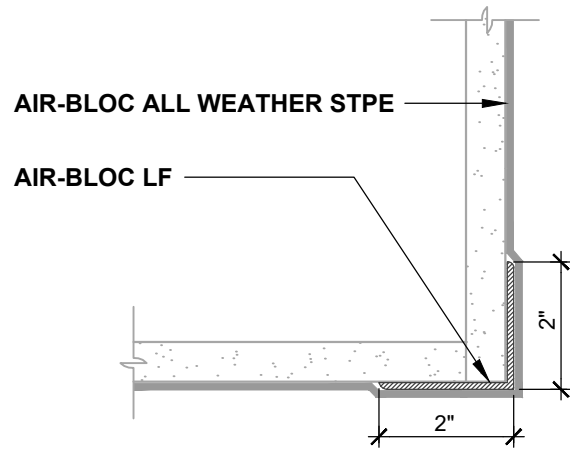
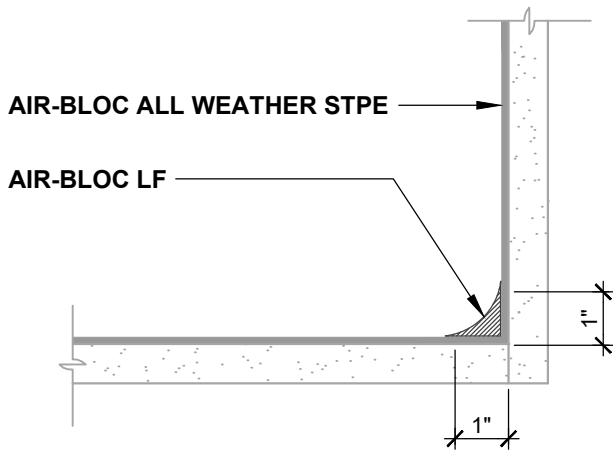


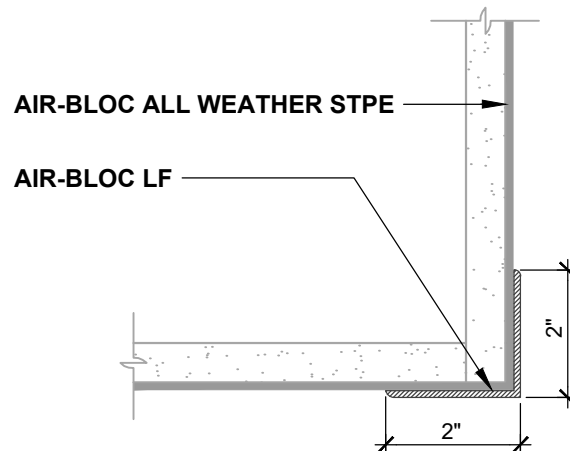
INSIDE CORNER (PLAN VIEW)
FLASHING INSTALLED BEFORE WRB



OUTSIDE CORNER (PLAN VIEW)
FLASHING INSTALLED BEFORE WRB



INSIDE CORNER (PLAN VIEW)
FLASHING INSTALLED AFTER WRB



OUTSIDE CORNER (PLAN VIEW)
FLASHING INSTALLED AFTER WRB

NOTES:

1. DETAIL SHOWS **AIR-BLOC ALL WEATHER STPE FLUID APPLIED VAPOR PERMEABLE AIR BARRIER**. SUBSTRATE SHOWN IS FOR REFERENCE ONLY. ACCEPTABLE SUBSTRATES FOR **AIR-BLOC LF** CORNER FLASHING INCLUDE OSB AND EXTERIOR GRADE SHEATHING.
2. ADHESION OF COMPONENTS DEPICTED IN THIS DETAIL PROGRESSIVELY INCREASE AFTER INITIAL APPLICATION. ALLOW A MINIMUM OF 7 DAYS AFTER INSTALLATION TO CONDUCT ADHESION TESTS IF REQUIRED.
3. PLYWOOD SUBSTRATES REQUIRE A SELF-ADHERED FLASHING AT INSIDE/OUTSIDE CORNERS. REFER TO DETAIL ABSTPE-3A-2.
4. PRIME CUT/RAW EDGES OF EXPOSED GYPSUM SHEATHING CORE PRIOR TO **AIR-BLOC LF** APPLICATION. RECOMMENDED PRIMER/ADHESIVE INCLUDE: **BLUESKIN SPRAY PREP**.
5. INSULATION, CLADDING AND OPTIONAL VAPOR BARRIER NOT SHOWN FOR CLARITY. REFER TO LOCAL CODE ORDINANCES FOR INSULATION AND VAPOR BARRIER REQUIREMENTS.
6. REFER TO PRODUCT SPECIFIC TECHNICAL DATA SHEET (TDS), **AIR-BLOC ALL WEATHER STPE GUIDE SPECIFICATION** AND **AIR-BLOC ALL WEATHER STPE INSTALLATION MANUAL** FOR INSTALLATION PROCEDURES.

Henry[®]

999 N. Pacific Coast Highway, Suite 800
El Segundo, CA 90245
800-486-1278 • www.henry.com

MANUFACTURER GUIDE DETAILS ARE FOR REFERENCE ONLY. HENRY DOES NOT ASSUME RESPONSIBILITY FOR ERRORS OR DEVIATIONS IN DESIGN OR ENGINEERING. PROJECT SPECIFIC VERIFICATION IS RECOMMENDED PRIOR TO INSTALLATION.

AIR-BLOC ALL WEATHER STPE

INSIDE/OUTSIDE CORNERS

**EXTERIOR GRADE SHEATHING
LIQUID APPLIED FLASHING**

SCALE: N.T.S.

01-10-2020

ABSTPE-3A-2