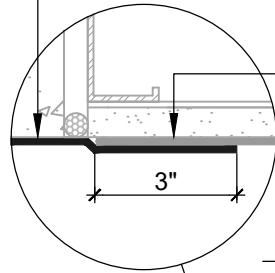
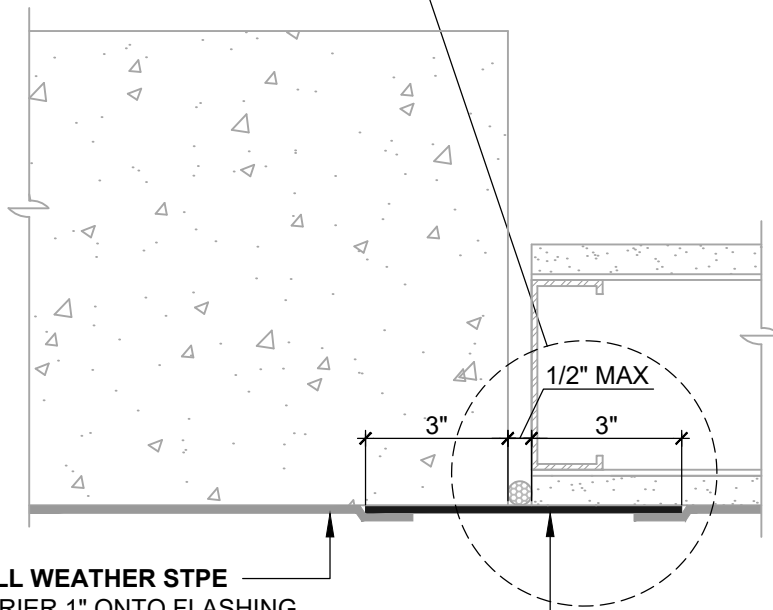


BLUESKIN SA OR AIR-BLOC LF
 (SEE NOTE #5 AND REFER TO DETAIL ABSTPE-7A1
 FOR **AIR-BLOC ALL WEATHER STPE** REVERSE LAP
 INSTALLATION INSTRUCTIONS)

AIR-BLOC ALL WEATHER STPE



FLASHING INSTALLED AFTER WRB
 REVERSE LAP



AIR-BLOC ALL WEATHER STPE
 LAP AIR BARRIER 1" ONTO FLASHING

BLUESKIN SA OR AIR-BLOC LF (SEE NOTE #5)

NON-MOVING JOINT (PLAN VIEW)
 CONTROL JOINT/SUBSTRATE TRANSITION

NOTES:

1. DETAIL SHOWS **AIR-BLOC ALL WEATHER STPE FLUID APPLIED VAPOR PERMEABLE AIR BARRIER**. SUBSTRATE SHOWN IS FOR REFERENCE ONLY. ACCEPTABLE SUBSTRATES INCLUDE PLYWOOD, OSB, CONCRETE, CMU, METAL, AND EXTERIOR GRADE SHEATHING.
2. ADHESION OF COMPONENTS DEPICTED IN THIS DETAIL PROGRESSIVELY INCREASE AFTER INITIAL APPLICATION. ALLOW A MINIMUM OF 7 DAYS AFTER INSTALLATION TO CONDUCT ADHESION TESTS IF REQUIRED.
3. REFER TO NON-MOVING JOINT DETAILS FOR ALTERNATE CONSTRUCTION JOINT FLASHING OPTIONS .
4. OTHER FLASHING OPTIONS INCLUDE: **BLUESKIN SA LT, BLUESKIN METAL CLAD** OR **BLUESKIN BUTYL FLASH**.
5. HENRY SELF-ADHERED MEMBRANES (INCLUDING **BLUESKIN SA, BLUESKIN SA LT, BLUESKIN TWF, BLUESKIN METAL CLAD** OR **BLUESKIN BUTYL FLASH**) MUST BE INSTALLED WITH **AQUATAC PRIMER** WHEN APPLIED ONTO CURED **AIR-BLOC ALL WEATHER STPE**.
6. INSULATION, CLADDING AND OPTIONAL VAPOR BARRIER NOT SHOWN FOR CLARITY. REFER TO LOCAL CODE ORDINANCES FOR INSULATION AND VAPOR BARRIER REQUIREMENTS.
7. REFER TO PRODUCT SPECIFIC TECHNICAL DATA SHEET (TDS), **AIR-BLOC ALL WEATHER STPE** GUIDE SPECIFICATION AND **AIR-BLOC ALL WEATHER STPE** INSTALLATION MANUAL FOR INSTALLATION PROCEDURES.

Henry[®]

999 N. Pacific Coast Highway, Suite 800
 El Segundo, CA 90245
 800-486-1278 • www.henry.com

MANUFACTURER GUIDE DETAILS ARE FOR REFERENCE ONLY. HENRY DOES NOT ASSUME RESPONSIBILITY FOR ERRORS OR DEVIATIONS IN DESIGN OR ENGINEERING. PROJECT SPECIFIC VERIFICATION IS RECOMMENDED PRIOR TO INSTALLATION.

AIR-BLOC ALL WEATHER STPE

SUBSTRATE TRANSITION

DISSIMILAR SUBSTRATE TRANSITIONS
SUBSTRATE GAPS UP TO 1/2" MAXIMUM

SCALE: N.T.S.

01-10-2020

ABSTPE-4B