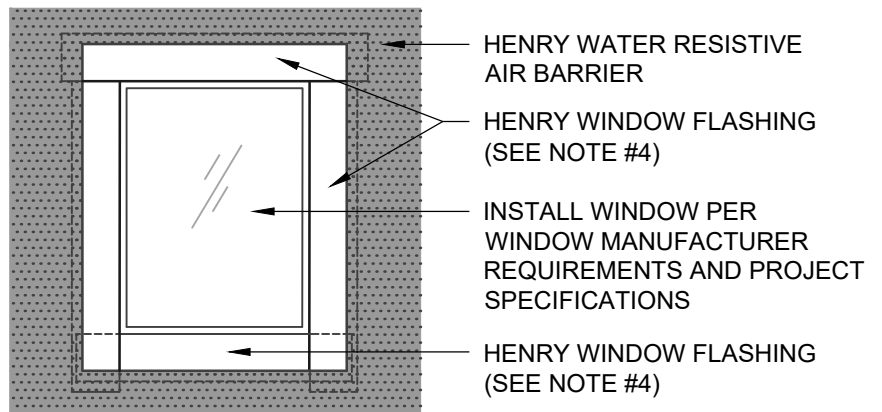


ASTM E2112 - METHOD B (ISOMETRIC)
FLASHING INSTALLED BEFORE WRB

Henry WATER RESISTIVE BARRIER (WRB) ASSEMBLY

HENRY WATER RESISTIVE AIR BARRIER
<ul style="list-style-type: none"> • AIR-BLOC ALL WEATHER STPE
HENRY WINDOW FLASHING
<ul style="list-style-type: none"> • BLUESKIN SA (SEE NOTE #4) • AIR-BLOC LF
HENRY SEALANT
<ul style="list-style-type: none"> • HENRY 925 BES SEALANT



ASTM E2112 - METHOD B (ELEVATION)
FLASHING INSTALLED BEFORE WRB

NOTES:

1. DETAIL SHOWS **AIR-BLOC ALL WEATHER STPE FLUID APPLIED VAPOR PERMEABLE AIR BARRIER**. SUBSTRATE SHOWN IS FOR REFERENCE ONLY. ACCEPTABLE SUBSTRATES INCLUDE PLYWOOD, OSB, CONCRETE, CMU, METAL, AND EXTERIOR GRADE SHEATHING.
2. ADHESION OF COMPONENTS DEPICTED IN THIS DETAIL PROGRESSIVELY INCREASE AFTER INITIAL APPLICATION. ALLOW A MINIMUM OF 7 DAYS AFTER INSTALLATION TO CONDUCT ADHESION TESTS IF REQUIRED.
3. OTHER FLASHING OPTIONS INCLUDE: **BLUESKIN SA LT, BLUESKIN METAL CLAD OR BLUESKIN BUTYL FLASH**.
4. HENRY SELF-ADHERED MEMBRANES (INCLUDING **BLUESKIN SA, BLUESKIN SA LT, BLUESKIN TWF, BLUESKIN METAL CLAD OR BLUESKIN BUTYL FLASH**) MUST BE INSTALLED WITH **AQUATAC PRIMER** WHEN APPLIED ONTO CURED **AIR-BLOC ALL WEATHER STPE**.
5. REFER TO PRODUCT SPECIFIC TECHNICAL DATA SHEET (TDS), **AIR-BLOC ALL WEATHER STPE GUIDE SPECIFICATION** AND **AIR-BLOC ALL WEATHER STPE INSTALLATION MANUAL** FOR INSTALLATION PROCEDURES.



999 N. Pacific Coast Highway, Suite 800
El Segundo, CA 90245
800-486-1278 • www.henry.com

MANUFACTURER GUIDE DETAILS ARE FOR REFERENCE ONLY. HENRY DOES NOT ASSUME RESPONSIBILITY FOR ERRORS OR DEVIATIONS IN DESIGN OR ENGINEERING. PROJECT SPECIFIC VERIFICATION IS RECOMMENDED PRIOR TO INSTALLATION.

AIR-BLOC ALL WEATHER STPE

NON-FLANGED WINDOW

**ASTM E2112 METHOD B
FLASHING INSTALLED BEFORE WRB**

SCALE: N.T.S.

01-10-2020

ABSTPE-6B-C