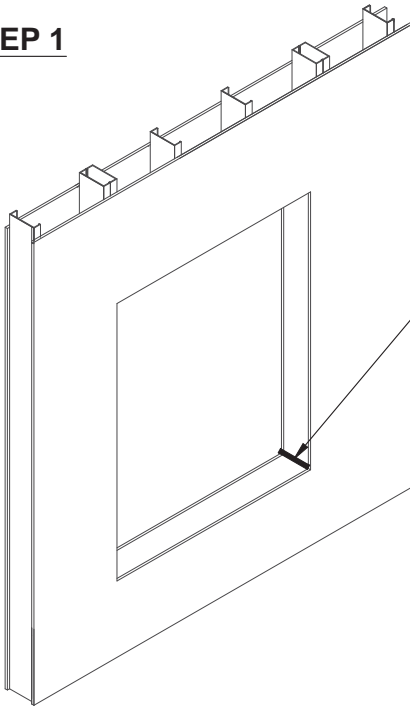


AIR-BLOC® 16MR REBATE WINDOW DETAIL GUIDELINES CONSIST OF TWO PARTS. REFER TO DETAIL AB16MR - 6B1B FOR CONTINUED STEP 3-7.

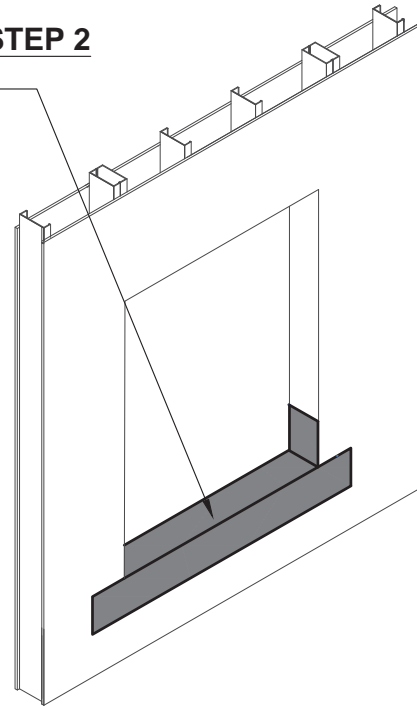
STEP 1



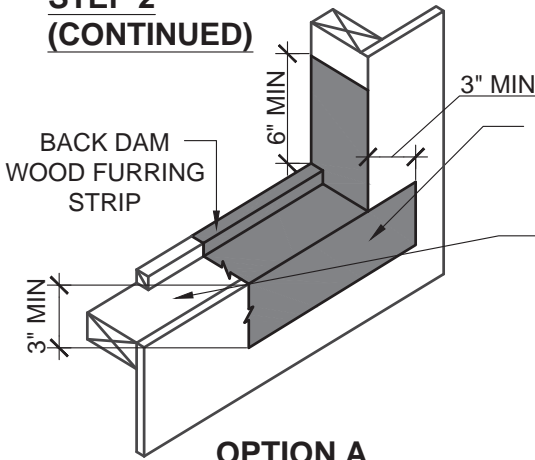
STEP 2

BLUESKIN® SA, BLUESKIN® SALT, BLUESKIN® BUTYL FLASH, METAL CLAD®, OR AIR-BLOC® LF

APPLY A BEAD OF 925 BES SEALANT OR AIR-BLOC® LF AT ROUGH OPENING CORNER INTERFACE



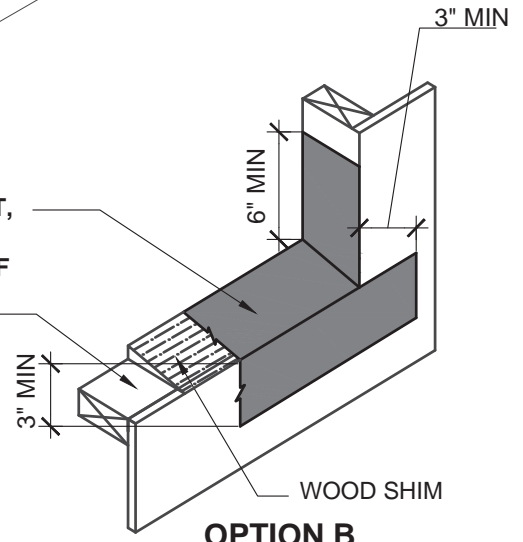
STEP 2 (CONTINUED)



OPTION A

BLUESKIN® SA, BLUESKIN® SALT, BLUESKIN® BUTYL FLASH, METAL CLAD®, OR AIR-BLOC® LF

ROUGH OPENING SILL



OPTION B

NOTES:

1. DETAIL SHOWS AIR-BLOC® 16MR ASSEMBLY INSTALLED OVER EXTERIOR GRADE GYPSUM SHEATHING. OTHER ACCEPTABLE SUBSTRATES INCLUDE PLYWOOD, OSB, CONCRETE, AND CONCRETE BLOCK.
2. WINDOW INSTALLATION REQUIREMENTS TO BE VERIFIED BY DESIGN PROFESSIONAL.
3. INSULATION AND CLADDING NOT SHOWN FOR CLARITY.
4. WHERE REQUIRED PRIME SUBSTRATE PRIOR TO SELF-ADHERED FLASHING INSTALLATION. REFER TO PRODUCT SPECIFIC TECHNICAL DATA SHEET (TDS) FOR PRIMER PRODUCT AND APPLICATION RATE RECOMMENDATIONS.
5. REFER TO AIR-BLOC® 16MR GUIDE SPECIFICATION FOR RECOMMENDED INSTALLATION PROCEDURES.

Henry®

999 N. Sepulveda Blvd., Suite 800
El Segundo, CA 90245
800-486-1278 • www.henry.com

MANUFACTURER GUIDE DETAILS ARE FOR REFERENCE ONLY. HENRY® DOES NOT ASSUME RESPONSIBILITY FOR ERRORS OR DEVIATIONS IN DESIGN OR ENGINEERING. PROJECT SPECIFIC VERIFICATION IS RECOMMENDED PRIOR TO INSTALLATION.

AIR-BLOC® 16MR AIR AND VAPOR BARRIER

REBATE WINDOW

METHOD A - AIR-BLOC® 16MR INSTALLED
AFTER FLASHING - PART 1 OF 2

SCALE: N.T.S.

10-25-2016

AB16MR-6B1A