

# LIST OF DRAWINGS

## AIR BARRIER SYSTEM INFORMATION

STPE-00.1 DETAIL INDEX  
STPE-0A.1 SYSTEM COMPONENTS  
STPE-0B.1 TYPICAL ASSEMBLIES - EXTERIOR WALLS  
STPE-0C.1 TYPICAL ASSEMBLIES - INTERIOR APPLICATION

STPE-1A.1 AIR BARRIER INSTALLATION - SHEATHING  
STPE-1B.1 AIR BARRIER INSTALLATION - MASONRY

## TRANSITIONS AND CONSTRUCTION JOINTS

### TRANSITIONS

STPE-2A.1 TRANSITION - LIQUID-APPLIED FLASHING  
STPE-2B.1 TRANSITION - SELF-ADHERED FLASHING  
STPE-2B.2 TRANSITION - SELF-ADHERED FLASHING  
STPE-2B.3 TRANSITION - SELF-ADHERED FLASHING

### SUBSTRATE GAPS

STPE-3A.1 SHEATHING JOINTS  
STPE-3B.1 MASONRY JOINTS  
STPE-3C.1 PRECAST CONCRETE PANEL JOINTS

### CONTROL JOINTS

STPE-4A.1 CONTROL JOINTS - SHEATHING SUBSTRATES  
STPE-4B.1 CONTROL JOINTS - MASONRY SUBSTRATES

### EXPANSION JOINTS

STPE-4C.1 EXPANSION JOINTS - BELLOWS FLASHING  
STPE-4C.2 EXPANSION JOINTS - BULB FLASHING

## ROUGH OPENINGS

### NON-FLANGED WINDOWS

STPE-5A.1 SELF-ADHERED FLASHING BEFORE WRB  
STPE-5A.2 SELF-ADHERED FLASHING AFTER WRB  
STPE-5A.3 LIQUID-APPLIED FLASHING BEFORE WRB  
STPE-5A.4 LIQUID-APPLIED FLASHING AFTER WRB

### FLANGED WINDOWS

STPE-5B.1 SELF-ADHERED FLASHING BEFORE WRB  
STPE-5B.2 SELF-ADHERED FLASHING AFTER WRB  
STPE-5B.3 LIQUID-APPLIED FLASHING BEFORE WRB  
STPE-5B.4 LIQUID-APPLIED FLASHING AFTER WRB

### DOORS

STPE-5R.1 JAMB FLASHING - HOLLOW METAL DOOR

## CLADDING AND INSULATION ATTACHMENT

### MASONRY ANCHORS

STPE-6A.1 MASONRY ANCHORS - SHEATHING  
STPE-6A.2 MASONRY ANCHORS - SHEATHING  
STPE-6B.1 MASONRY ANCHORS - MASONRY  
STPE-6C.1 FURRING AND GIRTS

### INSULATION ATTACHMENT

STPE-6D.1 INSULATION ATTACHMENT

### SUBSTRATE TRANSITIONS

STPE-7A.1 SHELF ANGLE - CONTINUOUS AT FLOOR LINE  
STPE-7A.2 SHELF ANGLE - CONTINUOUS AT HEADER  
STPE-7B.1 SHELF ANGLE - THERMAL BREAK  
STPE-7B.2 SHELF ANGLE - THERMAL BREAK  
STPE-7C.1 KNIFE PLATE

STPE-9A.1 CMU TO STEEL COLUMN  
STPE-9B.1 STUD WALL TO CONCRETE  
STPE-9C.1 CMU TO CONCRETE  
STPE-9D.1 CMU TO STUD WALL

## CORNERS AND WALL PENETRATIONS

### INSIDE AND OUTSIDE CORNERS

STPE-10A.1 SELF-ADHERED FLASHING - SHEATHING  
STPE-10B.1 LIQUID-APPLIED FLASHING - SHEATHING  
STPE-10C.1 CMU SUBSTRATES

### PENETRATIONS

STPE-11A.1 PIPE PENETRATION - LIQUID-APPLIED FLASHING  
STPE-11B.1 PIPE PENETRATION - SELF-ADHERED FLASHING

### AIR BARRIER TIE-IN TO WATERPROOFING

STPE-12A.1 AIR BARRIER TIE-IN AT DECK  
STPE-12B.1 AIR BARRIER TIE-IN AT BALCONY

NOTE: REFER TO WATERPROOFING DETAILS FOR PRODUCT SPECIFIC AIR BARRIER TIE-IN OPTIONS

### AIR BARRIER TIE-IN AT ROOFS

STPE-13A.1 AIR BARRIER TIE-IN AT PARAPET  
STPE-13A.2 AIR BARRIER TIE-IN AT PARAPET  
STPE-13B.1 AIR BARRIER TIE-IN AT DRIP EDGE

NOTE: REFER TO ROOFING DETAILS FOR PRODUCT SPECIFIC AIR BARRIER TIE-IN OPTIONS

### AIR BARRIER TIE-IN AT FOUNDATION

STPE-14A.1 AIR BARRIER TIE-IN AT SLAB BELOW GRADE  
STPE-14B.1 AIR BARRIER TIE-IN AT SLAB ON GRADE  
STPE-14C.1 AIR BARRIER TIE-IN AT SLAB

NOTE: REFER TO WATERPROOFING DETAILS FOR PRODUCT SPECIFIC AIR BARRIER TIE-IN OPTIONS



## HENRY AIR-BLOC ALL WEATHER STPE

# DETAIL INDEX

LIST OF DRAWINGS  
AND SYSTEM INFORMATION

## PROJECT NAME

02-01-2024

STPE-00.1

THIS DETAIL IS INTENDED AS AN INSTALLATION GUIDE AND IS NOT TO SCALE. PROJECT NAME IS FOR SUBMITTAL PURPOSES ONLY. HENRY DOES NOT ASSUME RESPONSIBILITY FOR ERRORS OR DEVIATIONS IN DESIGN OR ENGINEERING. VERIFY PROJECT SPECIFIC SUITABILITY PRIOR TO INSTALLATION.

# SYSTEM COMPONENTS

## AIR BARRIER SYSTEM INFORMATION

PRIMARY AIR BARRIER (BASIS OF DESIGN)	AIR-BLOC ALL WEATHER STPE VAPOR PERMEABLE AIR BARRIER
--	---

## SELF-ADHERED FLASHINGS

WINDOW AND DOOR ROUGH OPENING FLASHINGS, CONSTRUCTION JOINTS, SUBSTRATE TRANSITIONS, AND TIE-IN DETAIL FLASHING	BLUESKIN BUTYL FLASH SELF-ADHERED FLASHING BLUESKIN METAL CLAD SELF-ADHERED WATER RESISTIVE AIR BARRIER BLUESKIN METAL CLAD LT SELF-ADHERED WATER RESISTIVE AIR BARRIER BLUESKIN SA SELF-ADHERED WATER RESISTIVE AIR BARRIER BLUESKIN SA LT SELF-ADHERED WATER RESISTIVE AIR BARRIER
---	--

## LIQUID-APPLIED FLASHINGS

LIQUID-APPLIED FLASHING <ul style="list-style-type: none"> <li>EXTERIOR GRADE GYPSUM SHEATHING: 25 MILS MINIMUM</li> <li>WOOD SHEATHING: 40 MILS MINIMUM</li> <li>CONCRETE AND MASONRY: 40 MILS MINIMUM</li> </ul>	AIR-BLOC LF LIQUID-APPLIED FLASHING AIR-BLOC ALL WEATHER STPE VAPOR PERMEABLE AIR BARRIER
--	--

## THRU-WALL FLASHING

THRU-WALL FLASHING	BLUESKIN TWF SELF-ADHERED THRU-WALL FLASHING
--------------------	--

## SEALANTS AND JOINT TREATMENT

JOINT TREATMENT AND TERMINATION SEALANT	HENRY 925 BES SEALANT AIR-BLOC LF LIQUID-APPLIED FLASHING
--	--

WINDOW AND DOOR FLANGE SEALANT	HENRY 925 BES SEALANT
-----------------------------------	-----------------------

STICK PIN ADHESIVE	HENRY 925 BES SEALANT AIR-BLOC LF LIQUID-APPLIED FLASHING
--------------------	--

## SELF-ADHERED AND LIQUID-APPLIED FLASHING PRIMERS/ADHESIVES

REFER TO THE PRODUCT SPECIFIC TECHNICAL DATA SHEET

## HENRY TRANSITION MEMBRANE

CONTACT HENRY FOR PROJECT SPECIFIC RECOMMENDATIONS



## HENRY AIR-BLOC ALL WEATHER STPE

# SYSTEM COMPONENTS

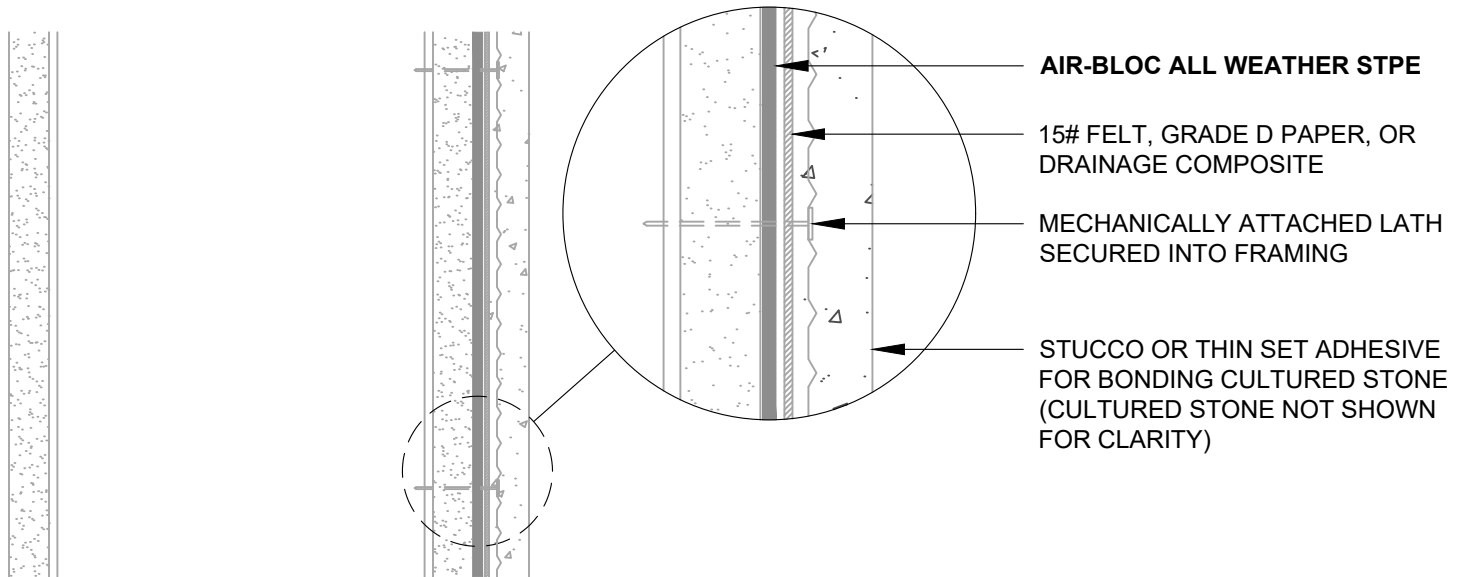
AIR BARRIER SYSTEM COMPONENTS  
AND TYPICAL APPLICATION DESCRIPTIONS

PROJECT NAME

02-01-2024

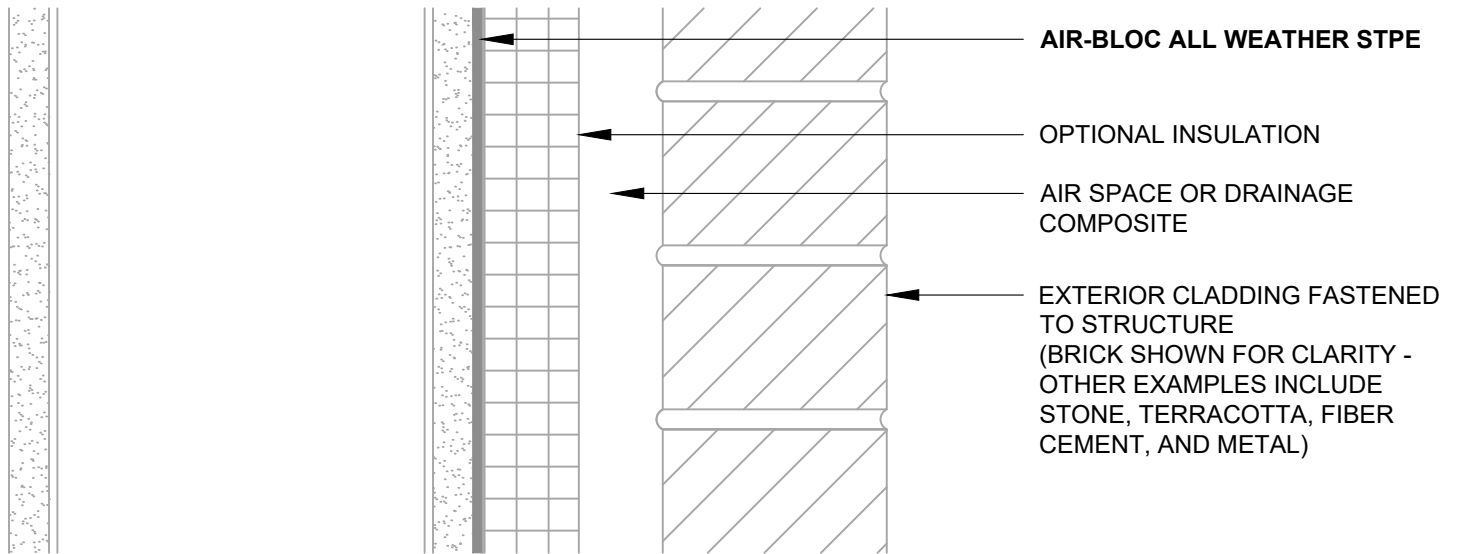
STPE-0A.1

THIS DETAIL IS INTENDED AS AN INSTALLATION GUIDE AND IS NOT TO SCALE. PROJECT NAME IS FOR SUBMITTAL PURPOSES ONLY. HENRY DOES NOT ASSUME RESPONSIBILITY FOR ERRORS OR DEVIATIONS IN DESIGN OR ENGINEERING. VERIFY PROJECT SPECIFIC SUITABILITY PRIOR TO INSTALLATION.



**STUCCO OR CULTURED STONE CLADDING**

SECTION VIEW



**DRAINED AND BACK VENTILATED CLADDING**

SECTION VIEW

**NOTES**

1. DETAIL SHOWS HENRY **AIR-BLOC ALL WEATHER STPE VAPOR PERMEABLE AIR BARRIER**. SUBSTRATE SHOWN IS FOR REFERENCE ONLY. REFER TO PRODUCT SPECIFIC TECHNICAL DATA SHEET FOR ACCEPTABLE SUBSTRATES.
2. REFER TO DETAIL STPE-0A.1 FOR SYSTEM COMPONENTS. PRIMERS/ADHESIVES NOT SHOWN FOR CLARITY. REFER TO PRODUCT SPECIFIC TECHNICAL DATA SHEET FOR PRIMER/ADHESIVE RECOMMENDATIONS.
3. OPTIONAL INTERIOR VAPOR BARRIER NOT SHOWN FOR CLARITY. REFER TO LOCAL CODE ORDINANCES FOR INSULATION AND VAPOR BARRIER REQUIREMENTS.
4. REFER TO PRODUCT SPECIFIC TECHNICAL DATA SHEET, APPLICATION GUIDE, AND GUIDE SPECIFICATION FOR INSTALLATION PROCEDURES.



**HENRY AIR-BLOC ALL WEATHER STPE**

**TYPICAL ASSEMBLIES**

EXTERIOR WALLS WITH STUCCO, CULTURED STONE CLADDING, AND VENTILATED CLADDING

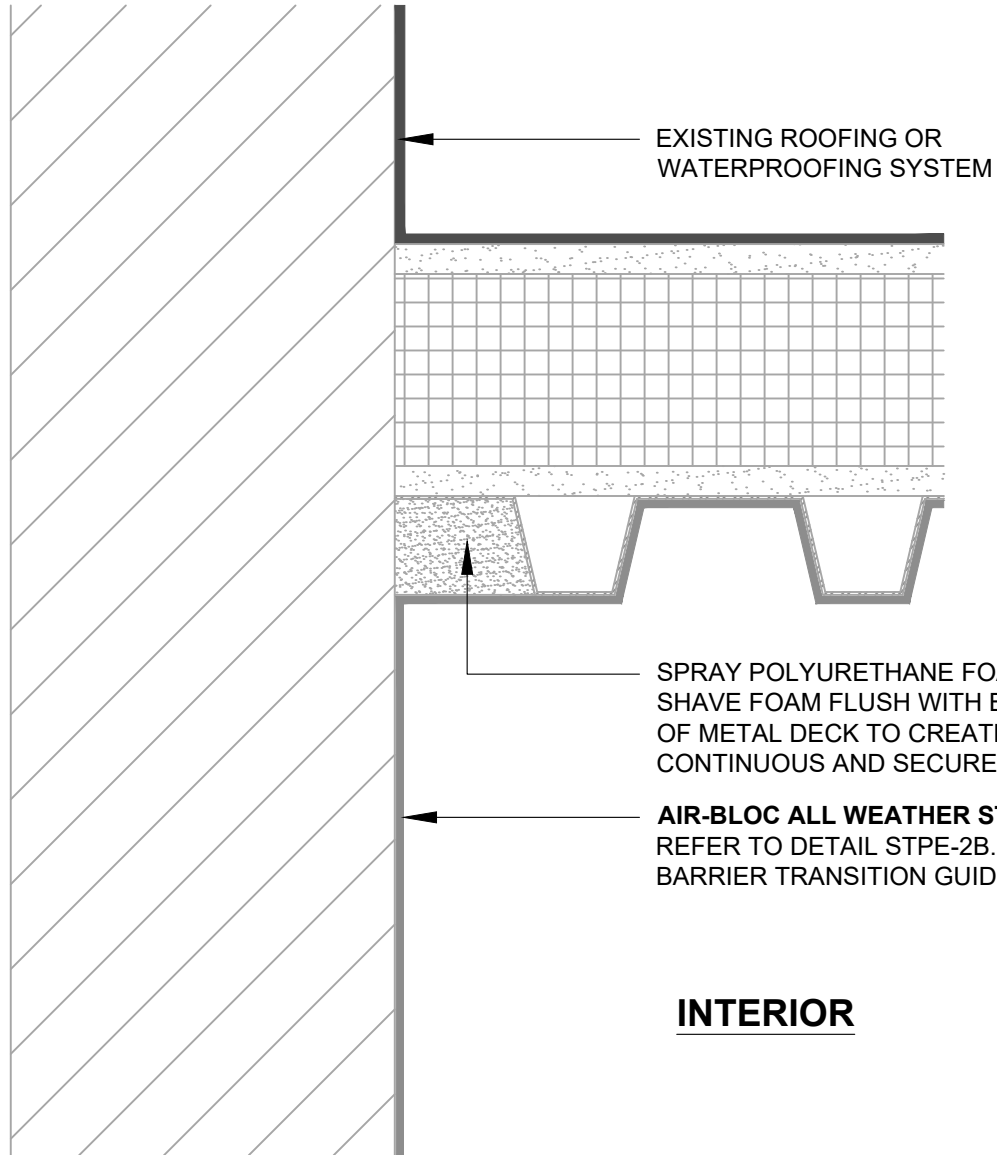
PROJECT NAME

02-01-2024

STPE-0B.1

THIS DETAIL IS INTENDED AS AN INSTALLATION GUIDE AND IS NOT TO SCALE. PROJECT NAME IS FOR SUBMITTAL PURPOSES ONLY. HENRY DOES NOT ASSUME RESPONSIBILITY FOR ERRORS OR DEVIATIONS IN DESIGN OR ENGINEERING. VERIFY PROJECT SPECIFIC SUITABILITY PRIOR TO INSTALLATION.

**EXTERIOR**



EXISTING ROOFING OR  
WATERPROOFING SYSTEM

SPRAY POLYURETHANE FOAM (SPF)  
SHAVE FOAM FLUSH WITH BOTTOM  
OF METAL DECK TO CREATE A  
CONTINUOUS AND SECURE SURFACE

**AIR-BLOC ALL WEATHER STPE**  
REFER TO DETAIL STPE-2B.1 FOR AIR  
BARRIER TRANSITION GUIDELINES

**INTERIOR**

**NOTES**

1. DETAIL SHOWS HENRY **AIR-BLOC ALL WEATHER STPE VAPOR PERMEABLE AIR BARRIER**. SUBSTRATE SHOWN IS FOR REFERENCE ONLY. REFER TO PRODUCT SPECIFIC TECHNICAL DATA SHEET FOR ACCEPTABLE SUBSTRATES.
2. REFER TO DETAIL STPE-0A.1 FOR SYSTEM COMPONENTS. PRIMERS/ADHESIVES NOT SHOWN FOR CLARITY. REFER TO PRODUCT SPECIFIC TECHNICAL DATA SHEET FOR PRIMER/ADHESIVE RECOMMENDATIONS.
3. REFER TO LOCAL CODE ORDINANCES FOR INSULATION AND VAPOR BARRIER REQUIREMENTS.
4. AIR BARRIERS DO NOT PERFORM AS A WATER-RESISTIVE BARRIER WHEN INSTALLED ON THE INTERIOR WALLS.
5. REFER TO PRODUCT SPECIFIC TECHNICAL DATA SHEET, APPLICATION GUIDE, AND GUIDE SPECIFICATION FOR INSTALLATION PROCEDURES.



**HENRY AIR-BLOC ALL WEATHER STPE**

**TYPICAL ASSEMBLIES**

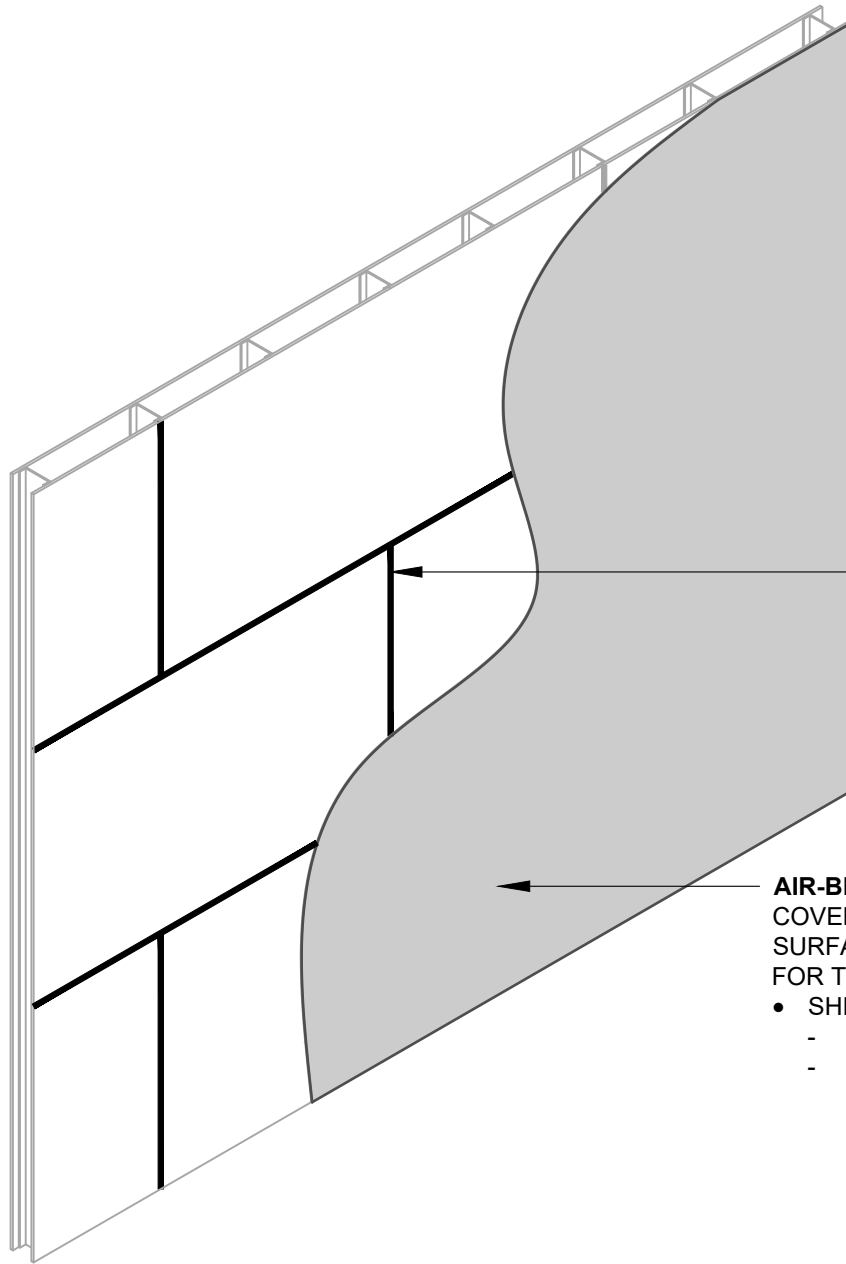
AIR BARRIER INSTALLED UNDER METAL DECK  
OR ON INTERIOR SIDE OF WALL

PROJECT NAME

02-01-2024

STPE-0C.1

THIS DETAIL IS INTENDED AS AN INSTALLATION GUIDE AND IS NOT TO SCALE. PROJECT NAME IS FOR SUBMITTAL PURPOSES ONLY. HENRY DOES NOT ASSUME RESPONSIBILITY FOR ERRORS OR DEVIATIONS IN DESIGN OR ENGINEERING. VERIFY PROJECT SPECIFIC SUITABILITY PRIOR TO INSTALLATION.



**HENRY SHEATHING JOINT TREATMENT**  
(REFER TO DETAIL STPE-3B.1)

**AIR-BLOC ALL WEATHER STPE**  
 COVERAGE RATES MAY VARY DEPENDING ON  
 SURFACE TEXTURE AND POROSITY - SEE BELOW  
 FOR TYPICAL APPLICATION RATES:

- SHEATHING SUBSTRATES
  - WET FILM THICKNESS = 20 MILS
  - TYPICAL COVERAGE RATE = 60-75 SQUARE FEET PER GALLON (1.47-1.84 SQUARES METER PER LITER)

**NOTES**

1. DETAIL SHOWS HENRY **AIR-BLOC ALL WEATHER STPE VAPOR PERMEABLE AIR BARRIER**. SUBSTRATE SHOWN IS FOR REFERENCE ONLY. REFER TO PRODUCT SPECIFIC TECHNICAL DATA SHEET FOR ACCEPTABLE SUBSTRATES.
2. REFER TO DETAIL STPE-0A.1 FOR SYSTEM COMPONENTS.
3. INSULATION, CLADDING, AND OPTIONAL INTERIOR VAPOR BARRIER NOT SHOWN FOR CLARITY. REFER TO LOCAL CODE ORDINANCES FOR INSULATION AND VAPOR BARRIER REQUIREMENTS.
4. REFER TO PRODUCT SPECIFIC TECHNICAL DATA SHEET, APPLICATION GUIDE, AND GUIDE SPECIFICATION FOR INSTALLATION PROCEDURES.



**HENRY AIR-BLOC ALL WEATHER STPE**

**INSTALLATION**

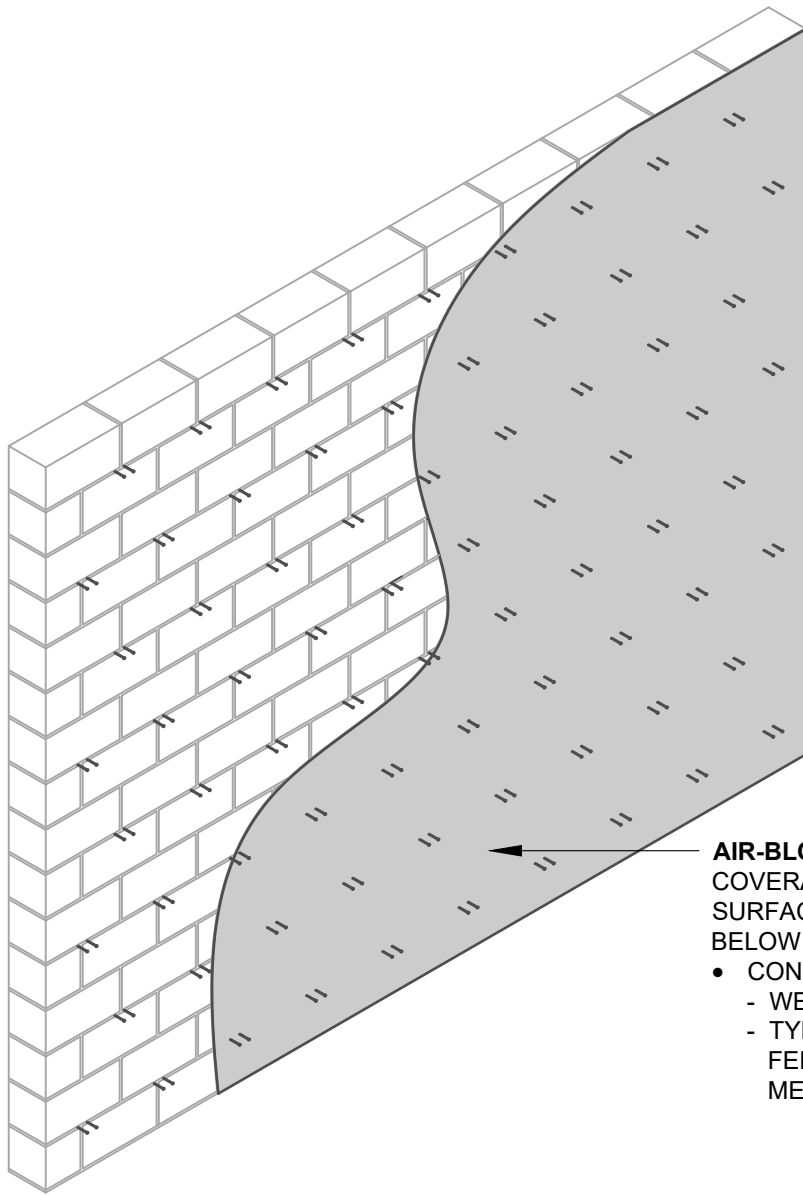
TYPICAL AIR BARRIER INSTALLATION  
 SHEATHING SUBSTRATES

**PROJECT NAME**

02-01-2024

**STPE-1A.1**

THIS DETAIL IS INTENDED AS AN INSTALLATION GUIDE AND IS NOT TO SCALE. PROJECT NAME IS FOR SUBMITTAL PURPOSES ONLY. HENRY DOES NOT ASSUME RESPONSIBILITY FOR ERRORS OR DEVIATIONS IN DESIGN OR ENGINEERING. VERIFY PROJECT SPECIFIC SUITABILITY PRIOR TO INSTALLATION.



FILL GROUT, STRIKE MORTAR FULL, AND REMOVE MORTAR DROPPINGS TO CREATE A CONTINUOUS AND VOID FREE SUBSTRATE. MORTAR MAY BE TOOLED OR FLUSH WITH FACE OF BLOCK.

**AIR-BLOC ALL WEATHER STPE**  
 COVERAGE RATES MAY VARY DEPENDING ON SURFACE TEXTURE AND POROSITY - SEE BELOW FOR TYPICAL APPLICATION RATES:

- CONCRETE AND MASONRY
  - WET FILM THICKNESS = 20 MILS
  - TYPICAL COVERAGE RATE = 40-60 SQUARE FEET PER GALLON (0.98-1.47 SQUARE METERS PER LITER)

**NOTES**

1. DETAIL SHOWS HENRY **AIR-BLOC ALL WEATHER STPE VAPOR PERMEABLE AIR BARRIER**. SUBSTRATE SHOWN IS FOR REFERENCE ONLY. REFER TO PRODUCT SPECIFIC TECHNICAL DATA SHEET FOR ACCEPTABLE SUBSTRATES.
2. REFER TO DETAIL STPE-0A.1 FOR SYSTEM COMPONENTS.
3. INSULATION, CLADDING, AND OPTIONAL INTERIOR VAPOR BARRIER NOT SHOWN FOR CLARITY. REFER TO LOCAL CODE ORDINANCES FOR INSULATION AND VAPOR BARRIER REQUIREMENTS.
4. REFER TO PRODUCT SPECIFIC TECHNICAL DATA SHEET, APPLICATION GUIDE, AND GUIDE SPECIFICATION FOR INSTALLATION PROCEDURES.



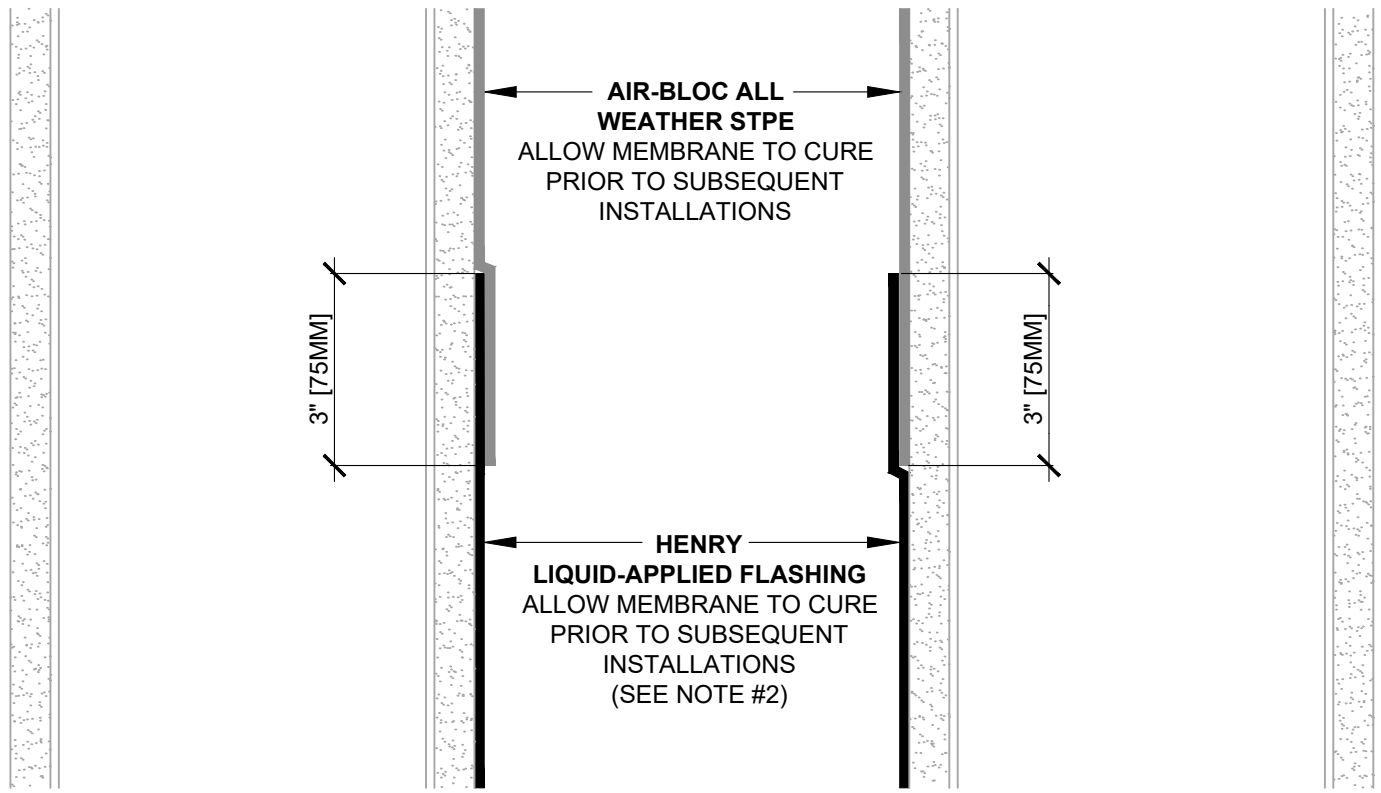
**HENRY AIR-BLOC ALL WEATHER STPE**

**INSTALLATION**  
 TYPICAL AIR BARRIER INSTALLATION  
 MASONRY SUBSTRATES

**PROJECT NAME**

02-01-2024      **STPE-1B.1**

THIS DETAIL IS INTENDED AS AN INSTALLATION GUIDE AND IS NOT TO SCALE. PROJECT NAME IS FOR SUBMITTAL PURPOSES ONLY. HENRY DOES NOT ASSUME RESPONSIBILITY FOR ERRORS OR DEVIATIONS IN DESIGN OR ENGINEERING. VERIFY PROJECT SPECIFIC SUITABILITY PRIOR TO INSTALLATION.



**LIQUID-APPLIED  
FLASHING BEFORE WRB**

SECTION VIEW

**LIQUID-APPLIED  
FLASHING AFTER WRB**

SECTION VIEW

**NOTES**

1. DETAIL SHOWS HENRY **AIR-BLOC ALL WEATHER STPE VAPOR PERMEABLE AIR BARRIER**. SUBSTRATE SHOWN IS FOR REFERENCE ONLY. REFER TO PRODUCT SPECIFIC TECHNICAL DATA SHEET FOR ACCEPTABLE SUBSTRATES.
2. REFER TO DETAIL STPE-0A.1 FOR SYSTEM COMPONENTS.
3. INSULATION, CLADDING, AND OPTIONAL INTERIOR VAPOR BARRIER NOT SHOWN FOR CLARITY. REFER TO LOCAL CODE ORDINANCES FOR INSULATION AND VAPOR BARRIER REQUIREMENTS.
4. REFER TO PRODUCT SPECIFIC TECHNICAL DATA SHEET, APPLICATION GUIDE, AND GUIDE SPECIFICATION FOR INSTALLATION PROCEDURES.



**HENRY AIR-BLOC ALL WEATHER STPE**

**AIR BARRIER TRANSITION**

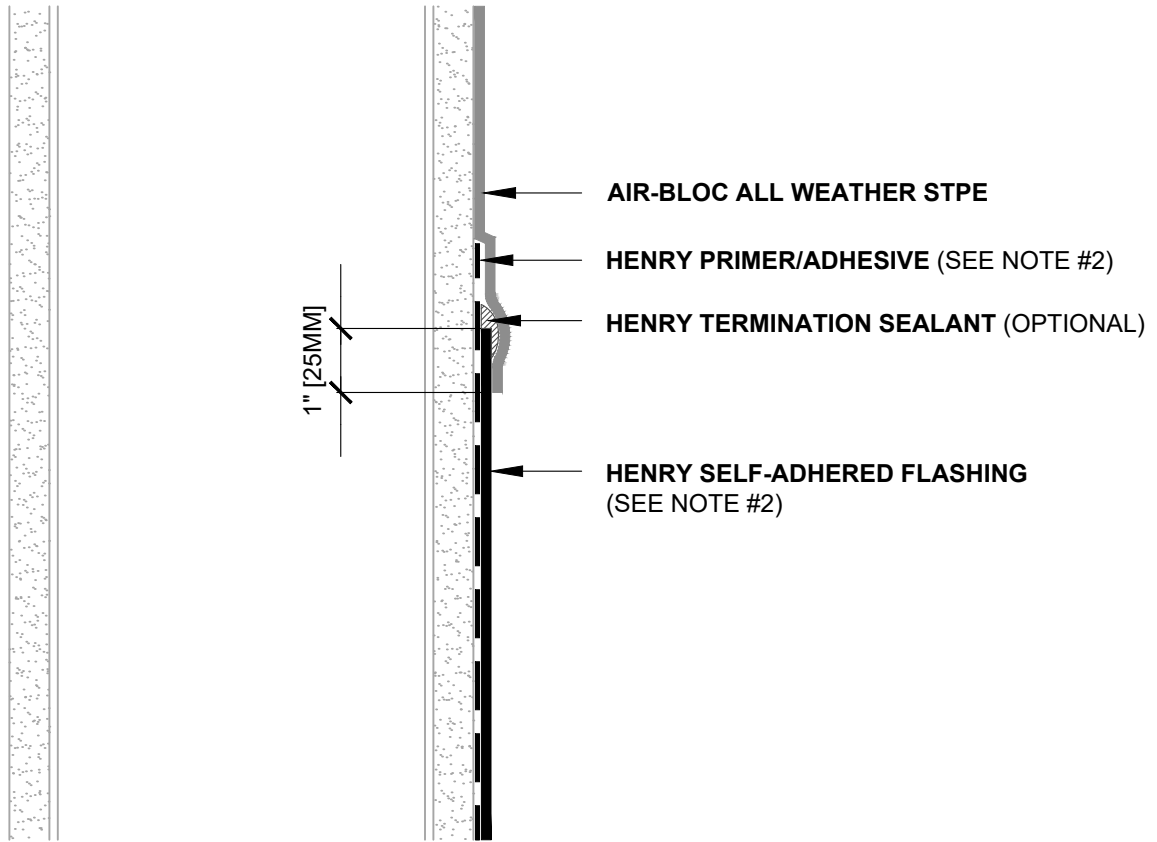
FLASHING INSTALLED BEFORE AND AFTER  
AIR BARRIER - LIQUID-APPLIED FLASHING

PROJECT NAME

02-01-2024

**STPE-2A.1**

THIS DETAIL IS INTENDED AS AN INSTALLATION GUIDE AND IS NOT TO SCALE. PROJECT NAME IS FOR SUBMITTAL PURPOSES ONLY. HENRY DOES NOT ASSUME RESPONSIBILITY FOR ERRORS OR DEVIATIONS IN DESIGN OR ENGINEERING. VERIFY PROJECT SPECIFIC SUITABILITY PRIOR TO INSTALLATION.



**SELF-ADHERED FLASHING BEFORE WRB**  
SECTION VIEW

**NOTES**

1. DETAIL SHOWS HENRY **AIR-BLOC ALL WEATHER STPE VAPOR PERMEABLE AIR BARRIER**. SUBSTRATE SHOWN IS FOR REFERENCE ONLY. REFER TO PRODUCT SPECIFIC TECHNICAL DATA SHEET FOR ACCEPTABLE SUBSTRATES.
2. REFER TO DETAIL STPE-0A.1 FOR SYSTEM COMPONENTS. REFER TO PRODUCT SPECIFIC TECHNICAL DATA SHEET FOR PRIMER/ADHESIVE RECOMMENDATIONS.
3. INSULATION, CLADDING, AND OPTIONAL INTERIOR VAPOR BARRIER NOT SHOWN FOR CLARITY. REFER TO LOCAL CODE ORDINANCES FOR INSULATION AND VAPOR BARRIER REQUIREMENTS.
4. REFER TO PRODUCT SPECIFIC TECHNICAL DATA SHEET, APPLICATION GUIDE, AND GUIDE SPECIFICATION FOR INSTALLATION PROCEDURES.



**HENRY AIR-BLOC ALL WEATHER STPE**

**AIR BARRIER TRANSITION**

FLASHING INSTALLED BEFORE AIR BARRIER  
SELF-ADHERED FLASHING

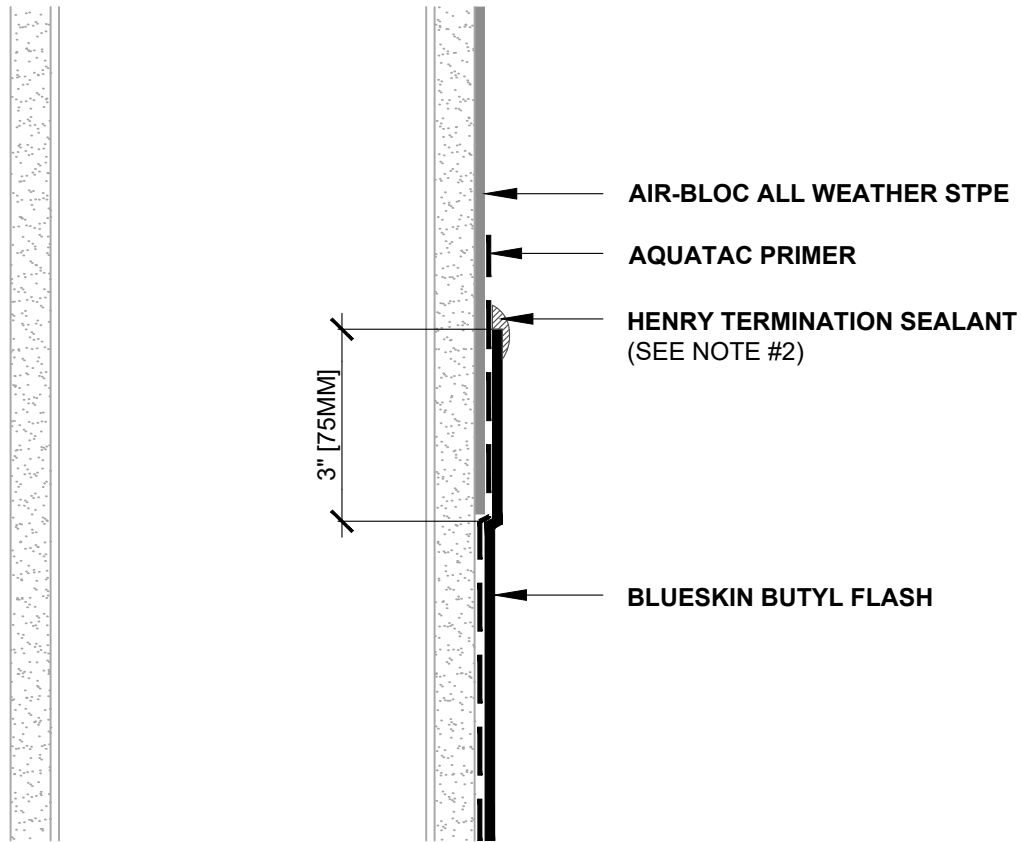
PROJECT NAME

02-01-2024

**STPE-2B.1**

THIS DETAIL IS INTENDED AS AN INSTALLATION GUIDE AND IS NOT TO SCALE. PROJECT NAME IS FOR SUBMITTAL PURPOSES ONLY. HENRY DOES NOT ASSUME RESPONSIBILITY FOR ERRORS OR DEVIATIONS IN DESIGN OR ENGINEERING. VERIFY PROJECT SPECIFIC SUITABILITY PRIOR TO INSTALLATION.





**BLUESKIN BUTYL FLASH AFTER WRB**  
SECTION VIEW

**NOTES**

1. DETAIL SHOWS HENRY **AIR-BLOC ALL WEATHER STPE VAPOR PERMEABLE AIR BARRIER**. SUBSTRATE SHOWN IS FOR REFERENCE ONLY. REFER TO PRODUCT SPECIFIC TECHNICAL DATA SHEET FOR ACCEPTABLE SUBSTRATES.
2. REFER TO DETAIL STPE-0A.1 FOR SYSTEM COMPONENTS. REFER TO PRODUCT SPECIFIC TECHNICAL DATA SHEET FOR PRIMER/ADHESIVE RECOMMENDATIONS.
3. INSULATION, CLADDING, AND OPTIONAL INTERIOR VAPOR BARRIER NOT SHOWN FOR CLARITY. REFER TO LOCAL CODE ORDINANCES FOR INSULATION AND VAPOR BARRIER REQUIREMENTS.
4. REFER TO PRODUCT SPECIFIC TECHNICAL DATA SHEET, APPLICATION GUIDE, AND GUIDE SPECIFICATION FOR INSTALLATION PROCEDURES.



**HENRY AIR-BLOC ALL WEATHER STPE**

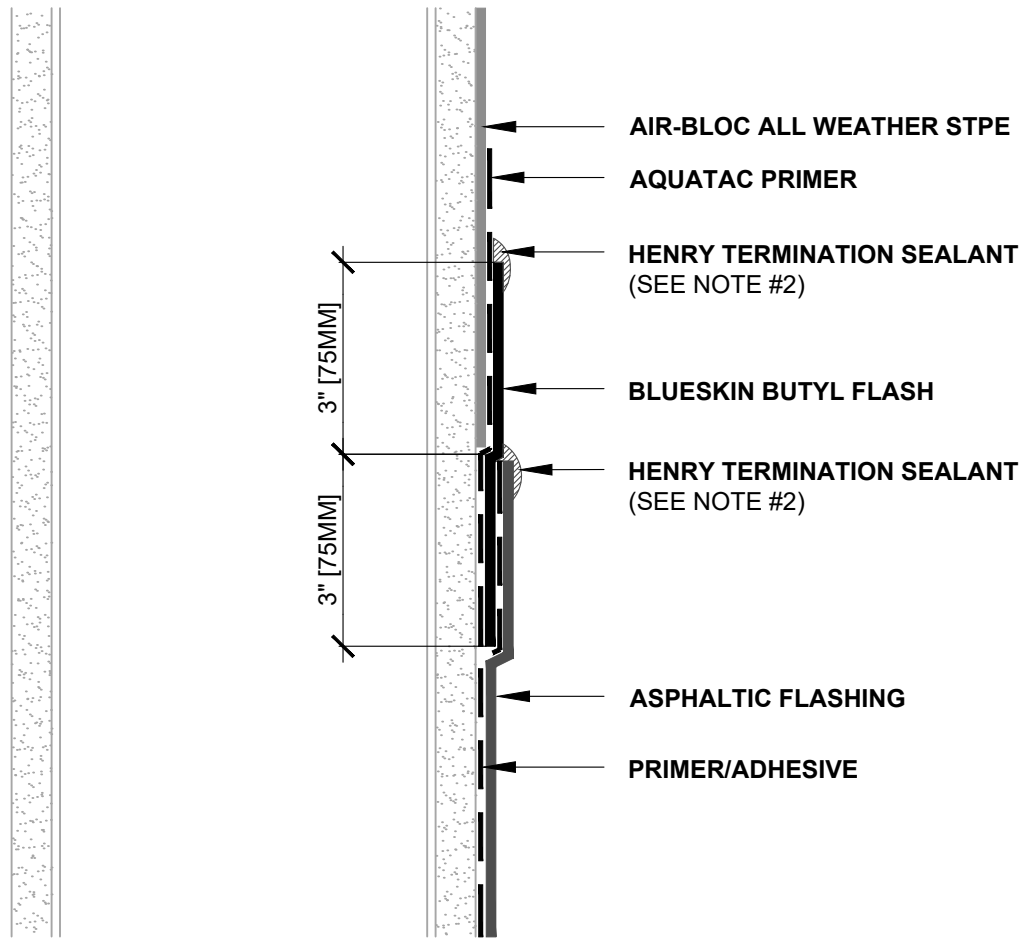
**AIR BARRIER TRANSITION**  
FLASHING INSTALLED AFTER AIR BARRIER  
BLUESKIN BUTYL FLASH

PROJECT NAME

02-01-2024

**STPE-2B.2**

THIS DETAIL IS INTENDED AS AN INSTALLATION GUIDE AND IS NOT TO SCALE. PROJECT NAME IS FOR SUBMITTAL PURPOSES ONLY. HENRY DOES NOT ASSUME RESPONSIBILITY FOR ERRORS OR DEVIATIONS IN DESIGN OR ENGINEERING. VERIFY PROJECT SPECIFIC SUITABILITY PRIOR TO INSTALLATION.



**ASPHALTIC FLASHING AFTER WRB**

SECTION VIEW

**NOTES**

1. DETAIL SHOWS HENRY **AIR-BLOC ALL WEATHER STPE VAPOR PERMEABLE AIR BARRIER**. SUBSTRATE SHOWN IS FOR REFERENCE ONLY. REFER TO PRODUCT SPECIFIC TECHNICAL DATA SHEET FOR ACCEPTABLE SUBSTRATES.
2. REFER TO DETAIL STPE-0A.1 FOR SYSTEM COMPONENTS. REFER TO PRODUCT SPECIFIC TECHNICAL DATA SHEET FOR PRIMER/ADHESIVE RECOMMENDATIONS.
3. INSULATION, CLADDING, AND OPTIONAL INTERIOR VAPOR BARRIER NOT SHOWN FOR CLARITY. REFER TO LOCAL CODE ORDINANCES FOR INSULATION AND VAPOR BARRIER REQUIREMENTS.
4. REFER TO PRODUCT SPECIFIC TECHNICAL DATA SHEET, APPLICATION GUIDE, AND GUIDE SPECIFICATION FOR INSTALLATION PROCEDURES.



**HENRY AIR-BLOC ALL WEATHER STPE**

**AIR BARRIER TRANSITION**

FLASHING INSTALLED AFTER AIR BARRIER  
 ASPHALTIC SELF-ADHERED FLASHING

PROJECT NAME

02-01-2024

**STPE-2B.3**

THIS DETAIL IS INTENDED AS AN INSTALLATION GUIDE AND IS NOT TO SCALE. PROJECT NAME IS FOR SUBMITTAL PURPOSES ONLY. HENRY DOES NOT ASSUME RESPONSIBILITY FOR ERRORS OR DEVIATIONS IN DESIGN OR ENGINEERING. VERIFY PROJECT SPECIFIC SUITABILITY PRIOR TO INSTALLATION.

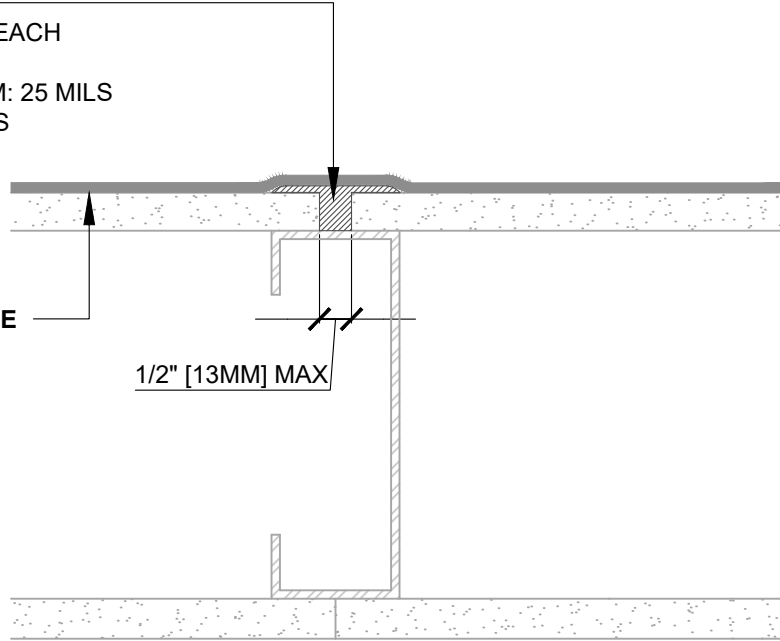
**HENRY JOINT TREATMENT**

EXTEND FLASHING 1" [25MM] EACH SIDE OF GAP (SEE NOTE #2)

- EXTERIOR GRADE GYPSUM: 25 MILS
- WOOD SHEATHING: 40 MILS

AIR-BLOC ALL WEATHER STPE

1/2" [13MM] MAX

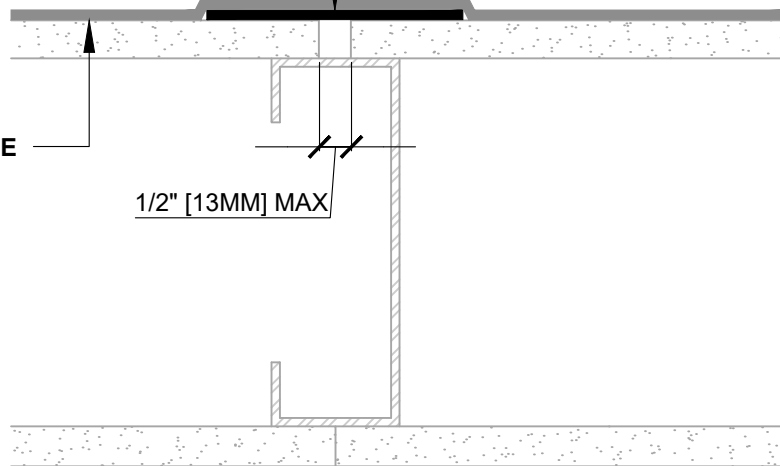


**METHOD #1**  
JOINT TREATMENT

**HENRY SELF-ADHERED FLASHING**  
CENTER FLASHING OVER JOINT  
(SEE NOTE #2)

AIR-BLOC ALL WEATHER STPE

1/2" [13MM] MAX



**METHOD #2**  
SELF-ADHERED FLASHING

**NOTES**

1. DETAIL SHOWS HENRY **AIR-BLOC ALL WEATHER STPE VAPOR PERMEABLE AIR BARRIER**. SUBSTRATE SHOWN IS FOR REFERENCE ONLY. REFER TO PRODUCT SPECIFIC TECHNICAL DATA SHEET FOR ACCEPTABLE SUBSTRATES.
2. REFER TO DETAIL STPE-0A.1 FOR SYSTEM COMPONENTS.
3. INSULATION, CLADDING, AND OPTIONAL INTERIOR VAPOR BARRIER NOT SHOWN FOR CLARITY. REFER TO LOCAL CODE ORDINANCES FOR INSULATION AND VAPOR BARRIER REQUIREMENTS.
4. REFER TO PRODUCT SPECIFIC TECHNICAL DATA SHEET, APPLICATION GUIDE, AND GUIDE SPECIFICATION FOR INSTALLATION PROCEDURES.



**HENRY AIR-BLOC ALL WEATHER STPE**

**SHEATHING JOINTS**

GAPS UP TO 1/2" [13MM] WIDE MAXIMUM  
EXTERIOR GRADE GYPSUM OR WOOD SHEATHING

PROJECT NAME

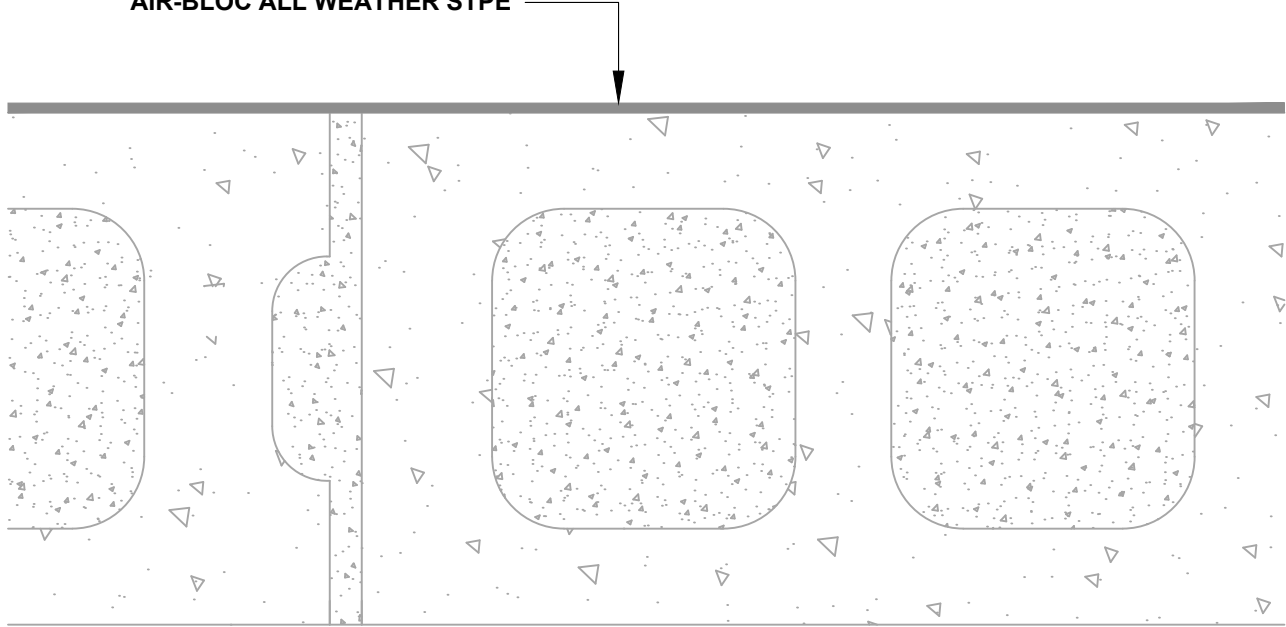
02-01-2024

STPE-3A.1

THIS DETAIL IS INTENDED AS AN INSTALLATION GUIDE AND IS NOT TO SCALE. PROJECT NAME IS FOR SUBMITTAL PURPOSES ONLY. HENRY DOES NOT ASSUME RESPONSIBILITY FOR ERRORS OR DEVIATIONS IN DESIGN OR ENGINEERING. VERIFY PROJECT SPECIFIC SUITABILITY PRIOR TO INSTALLATION.

FILL GROUT, STRIKE MORTAR FULL, AND REMOVE MORTAR DROPPINGS TO CREATE A CONTINUOUS AND VOID FREE SUBSTRATE. MORTAR MAY BE TOOLED OR FLUSH WITH FACE OF BLOCK.

AIR-BLOC ALL WEATHER STPE



**NOTES**

1. DETAIL SHOWS HENRY **AIR-BLOC ALL WEATHER STPE VAPOR PERMEABLE AIR BARRIER**. SUBSTRATE SHOWN IS FOR REFERENCE ONLY. REFER TO PRODUCT SPECIFIC TECHNICAL DATA SHEET FOR ACCEPTABLE SUBSTRATES.
2. REFER TO DETAIL STPE-0A.1 FOR SYSTEM COMPONENTS.
3. REFER TO PRODUCT SPECIFIC TECHNICAL DATA SHEET FOR SUBSTRATE CURE TIMES.
4. INSULATION, CLADDING, AND OPTIONAL INTERIOR VAPOR BARRIER NOT SHOWN FOR CLARITY. REFER TO LOCAL CODE ORDINANCES FOR INSULATION AND VAPOR BARRIER REQUIREMENTS.
5. REFER TO PRODUCT SPECIFIC TECHNICAL DATA SHEET, APPLICATION GUIDE, AND GUIDE SPECIFICATION FOR INSTALLATION PROCEDURES.



**HENRY AIR-BLOC ALL WEATHER STPE**

**MASONRY JOINTS**

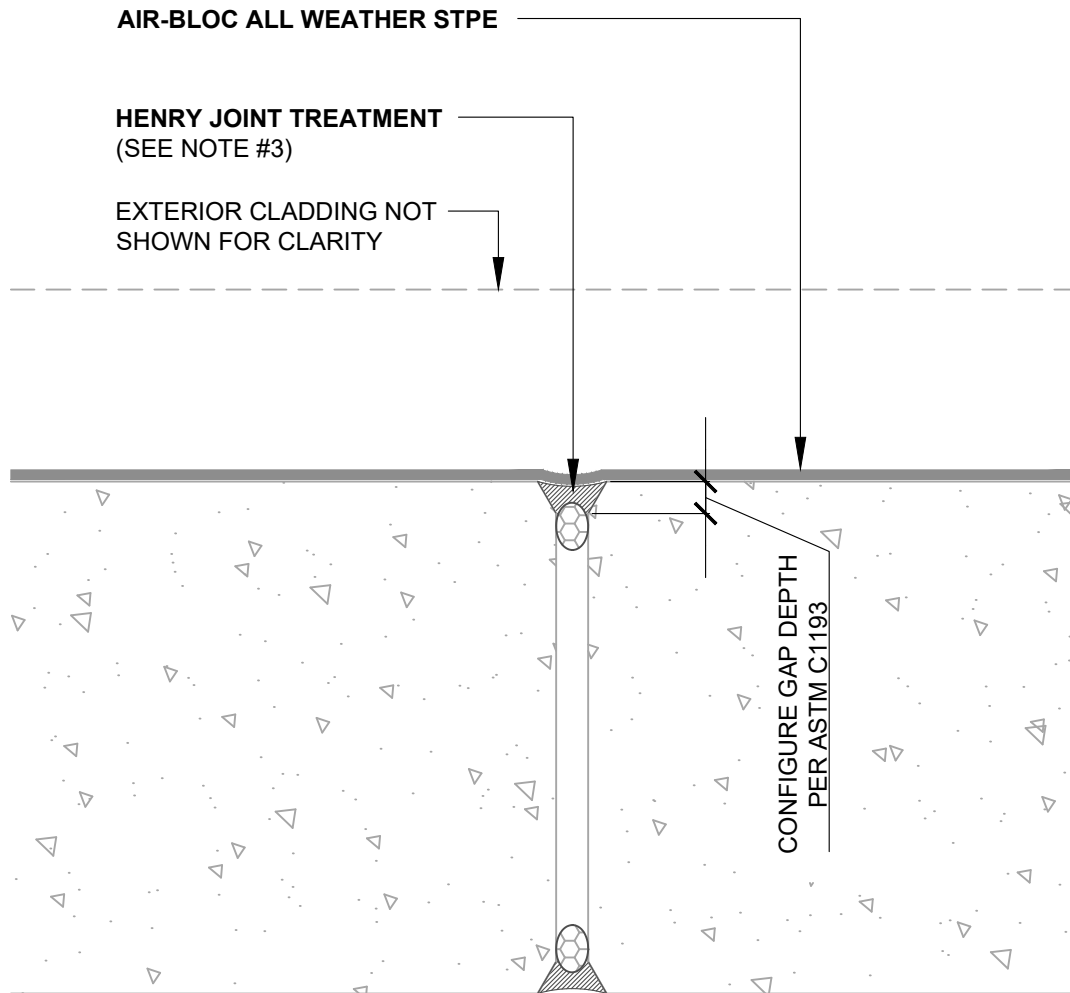
CONTINUOUS SURFACES  
CONCRETE MASONRY UNITS (CMU)

**PROJECT NAME**

02-01-2024

**STPE-3B.1**

THIS DETAIL IS INTENDED AS AN INSTALLATION GUIDE AND IS NOT TO SCALE. PROJECT NAME IS FOR SUBMITTAL PURPOSES ONLY. HENRY DOES NOT ASSUME RESPONSIBILITY FOR ERRORS OR DEVIATIONS IN DESIGN OR ENGINEERING. VERIFY PROJECT SPECIFIC SUITABILITY PRIOR TO INSTALLATION.



**NOTES**

1. DETAIL SHOWS HENRY **AIR-BLOC ALL WEATHER STPE VAPOR PERMEABLE AIR BARRIER**. SUBSTRATE SHOWN IS FOR REFERENCE ONLY. REFER TO PRODUCT SPECIFIC TECHNICAL DATA SHEET FOR ACCEPTABLE SUBSTRATES.
2. REFER TO DETAIL STPE-0A.1 FOR SYSTEM COMPONENTS.
3. REFER TO PRODUCT SPECIFIC TECHNICAL DATA SHEET FOR SUBSTRATE CURE TIMES.
4. INSULATION, CLADDING, AND OPTIONAL INTERIOR VAPOR BARRIER NOT SHOWN FOR CLARITY. REFER TO LOCAL CODE ORDINANCES FOR INSULATION AND VAPOR BARRIER REQUIREMENTS.
5. REFER TO PRODUCT SPECIFIC TECHNICAL DATA SHEET, APPLICATION GUIDE, AND GUIDE SPECIFICATION FOR INSTALLATION PROCEDURES.



**HENRY AIR-BLOC ALL WEATHER STPE  
PRECAST CONCRETE  
PANEL JOINTS**

**PROJECT NAME**

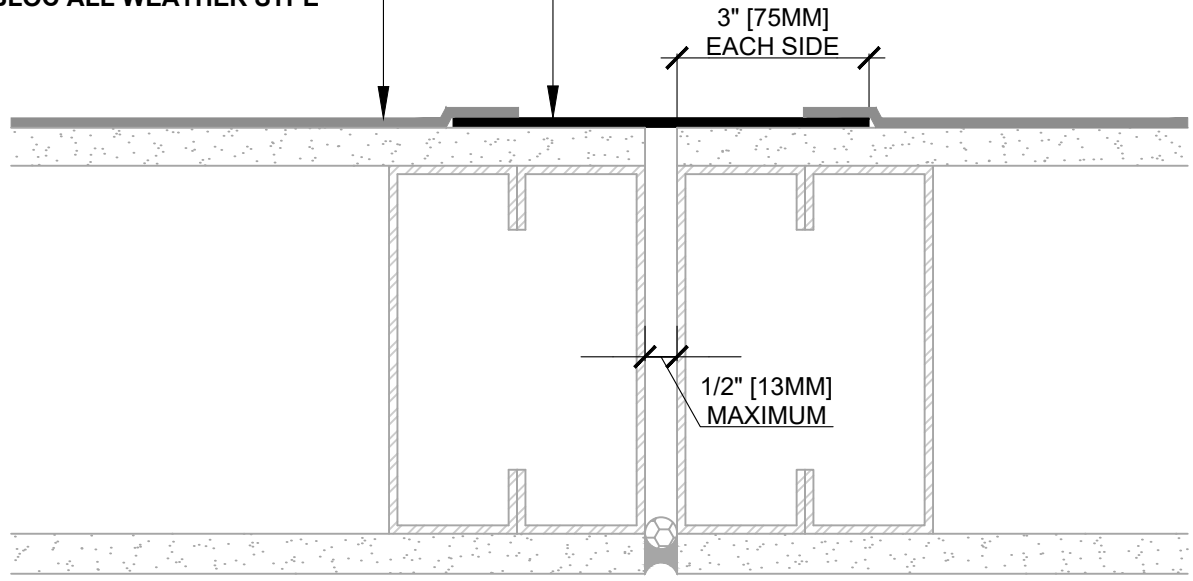
02-01-2024

**STPE-3C.1**

THIS DETAIL IS INTENDED AS AN INSTALLATION GUIDE AND IS NOT TO SCALE. PROJECT NAME IS FOR SUBMITTAL PURPOSES ONLY. HENRY DOES NOT ASSUME RESPONSIBILITY FOR ERRORS OR DEVIATIONS IN DESIGN OR ENGINEERING. VERIFY PROJECT SPECIFIC SUITABILITY PRIOR TO INSTALLATION.

**HENRY SELF-ADHERED FLASHING**  
 (SEE NOTES #2 AND #3)  
 REFER TO DETAIL STPE-2B.1 FOR AIR  
 BARRIER TRANSITION GUIDELINES

**AIR-BLOC ALL WEATHER STPE**



**NOTES**

1. DETAIL SHOWS HENRY **AIR-BLOC ALL WEATHER STPE VAPOR PERMEABLE AIR BARRIER**. SUBSTRATE SHOWN IS FOR REFERENCE ONLY. REFER TO PRODUCT SPECIFIC TECHNICAL DATA SHEET FOR ACCEPTABLE SUBSTRATES.
2. REFER TO DETAIL STPE-0A.1 FOR SYSTEM COMPONENTS. PRIMERS/ADHESIVES NOT SHOWN FOR CLARITY. REFER TO PRODUCT SPECIFIC TECHNICAL DATA SHEET FOR PRIMER/ADHESIVE RECOMMENDATIONS.
3. THIS DETAIL IS SUITABLE FOR CONTROL JOINTS UP TO 1/2" [13MM] WIDE GAP. REFER TO EXPANSION JOINT DETAILS FOR GAPS OVER 1/2" [13MM] WIDE.
4. INSULATION, CLADDING, AND OPTIONAL INTERIOR VAPOR BARRIER NOT SHOWN FOR CLARITY. REFER TO LOCAL CODE ORDINANCES FOR INSULATION AND VAPOR BARRIER REQUIREMENTS.
5. REFER TO PRODUCT SPECIFIC TECHNICAL DATA SHEET, APPLICATION GUIDE, AND GUIDE SPECIFICATION FOR INSTALLATION PROCEDURES.



**HENRY AIR-BLOC ALL WEATHER STPE**

**CONTROL JOINTS**

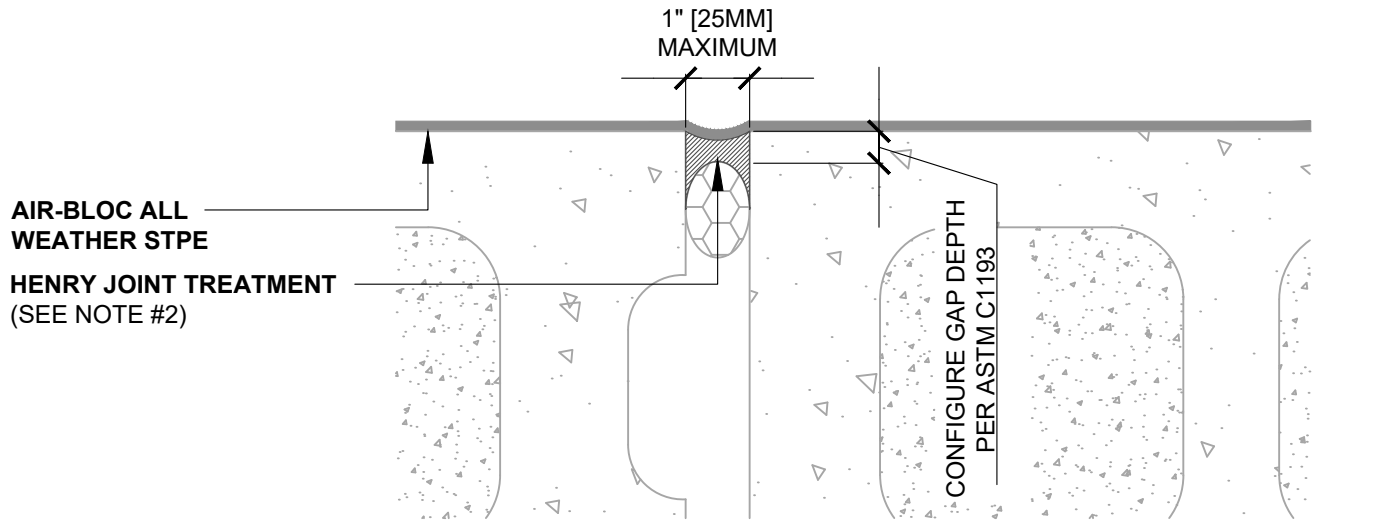
GAPS UP TO 1/2" [13MM] WIDE MAXIMUM  
 EXTERIOR GRADE GYPSUM OR WOOD SHEATHING

**PROJECT NAME**

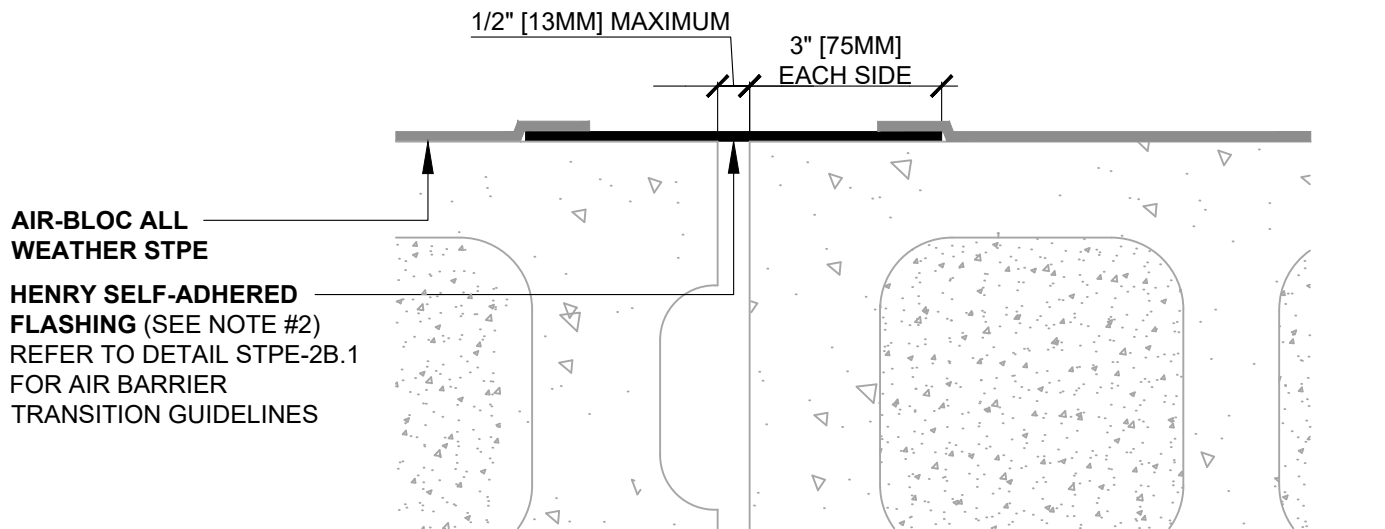
02-01-2024

**STPE-4A.1**

THIS DETAIL IS INTENDED AS AN INSTALLATION GUIDE AND IS NOT TO SCALE. PROJECT NAME IS FOR SUBMITTAL PURPOSES ONLY. HENRY DOES NOT ASSUME RESPONSIBILITY FOR ERRORS OR DEVIATIONS IN DESIGN OR ENGINEERING. VERIFY PROJECT SPECIFIC SUITABILITY PRIOR TO INSTALLATION.



**JOINT TREATMENT**  
PLAN VIEW



**SELF-ADHERED FLASHING**  
PLAN VIEW

**NOTES**

1. DETAIL SHOWS HENRY **AIR-BLOC ALL WEATHER STPE VAPOR PERMEABLE AIR BARRIER**. SUBSTRATE SHOWN IS FOR REFERENCE ONLY. REFER TO PRODUCT SPECIFIC TECHNICAL DATA SHEET FOR ACCEPTABLE SUBSTRATES.
2. REFER TO DETAIL STPE-0A.1 FOR SYSTEM COMPONENTS. PRIMERS/ADHESIVES NOT SHOWN FOR CLARITY. REFER TO PRODUCT SPECIFIC TECHNICAL DATA SHEET FOR PRIMER/ADHESIVE RECOMMENDATIONS.
3. INSULATION, CLADDING, AND OPTIONAL INTERIOR VAPOR BARRIER NOT SHOWN FOR CLARITY. REFER TO LOCAL CODE ORDINANCES FOR INSULATION AND VAPOR BARRIER REQUIREMENTS.
4. REFER TO PRODUCT SPECIFIC TECHNICAL DATA SHEET, APPLICATION GUIDE, AND GUIDE SPECIFICATION FOR INSTALLATION PROCEDURES.



**HENRY AIR-BLOC ALL WEATHER STPE**

**CONTROL JOINTS**

HENRY JOINT TREATMENT AND SELF-ADHERED FLASHING - MASONRY SUBSTRATES

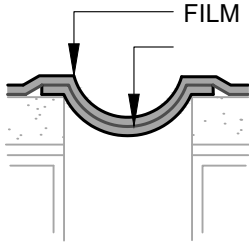
PROJECT NAME

02-01-2024

STPE-4B.1

THIS DETAIL IS INTENDED AS AN INSTALLATION GUIDE AND IS NOT TO SCALE. PROJECT NAME IS FOR SUBMITTAL PURPOSES ONLY. HENRY DOES NOT ASSUME RESPONSIBILITY FOR ERRORS OR DEVIATIONS IN DESIGN OR ENGINEERING. VERIFY PROJECT SPECIFIC SUITABILITY PRIOR TO INSTALLATION.

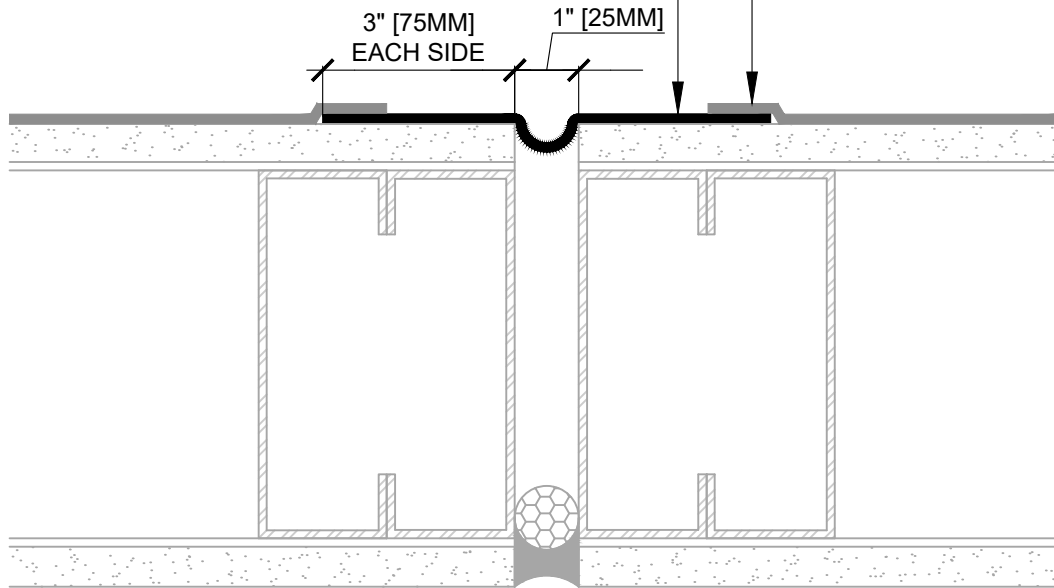
CREATE CONCAVE LOOP IN MEMBRANE BY LOOPING INTO GAP. PRIOR TO INSTALLATION, ADHERE MEMBRANE TO ITSELF AND INSTALL TO PREVENT ADHESION TO SURFACES WITHIN GAP.



**GAP FLASHING**  
BELLOWS METHOD

**HENRY SELF-ADHERED FLASHING**  
REFER TO DETAIL STPE-2B.1 FOR  
AIR BARRIER TRANSITION  
GUIDELINES (SEE NOTE #2)

**AIR-BLOC ALL WEATHER STPE**



**NOTES**

1. DETAIL SHOWS HENRY **AIR-BLOC ALL WEATHER STPE VAPOR PERMEABLE AIR BARRIER**. SUBSTRATE SHOWN IS FOR REFERENCE ONLY. REFER TO PRODUCT SPECIFIC TECHNICAL DATA SHEET FOR ACCEPTABLE SUBSTRATES.
2. REFER TO DETAIL STPE-0A.1 FOR SYSTEM COMPONENTS. PRIMERS/ADHESIVES NOT SHOWN FOR CLARITY. REFER TO PRODUCT SPECIFIC TECHNICAL DATA SHEET FOR PRIMER/ADHESIVE RECOMMENDATIONS.
3. INSULATION, CLADDING, AND OPTIONAL INTERIOR VAPOR BARRIER NOT SHOWN FOR CLARITY. REFER TO LOCAL CODE ORDINANCES FOR INSULATION AND VAPOR BARRIER REQUIREMENTS.
4. REFER TO PRODUCT SPECIFIC TECHNICAL DATA SHEET, APPLICATION GUIDE, AND GUIDE SPECIFICATION FOR INSTALLATION PROCEDURES.



**HENRY AIR-BLOC ALL WEATHER STPE**

**EXPANSION JOINTS**

GAPS UP TO 1" [25MM] WIDE MAXIMUM  
BELLOWS FLASHING METHOD

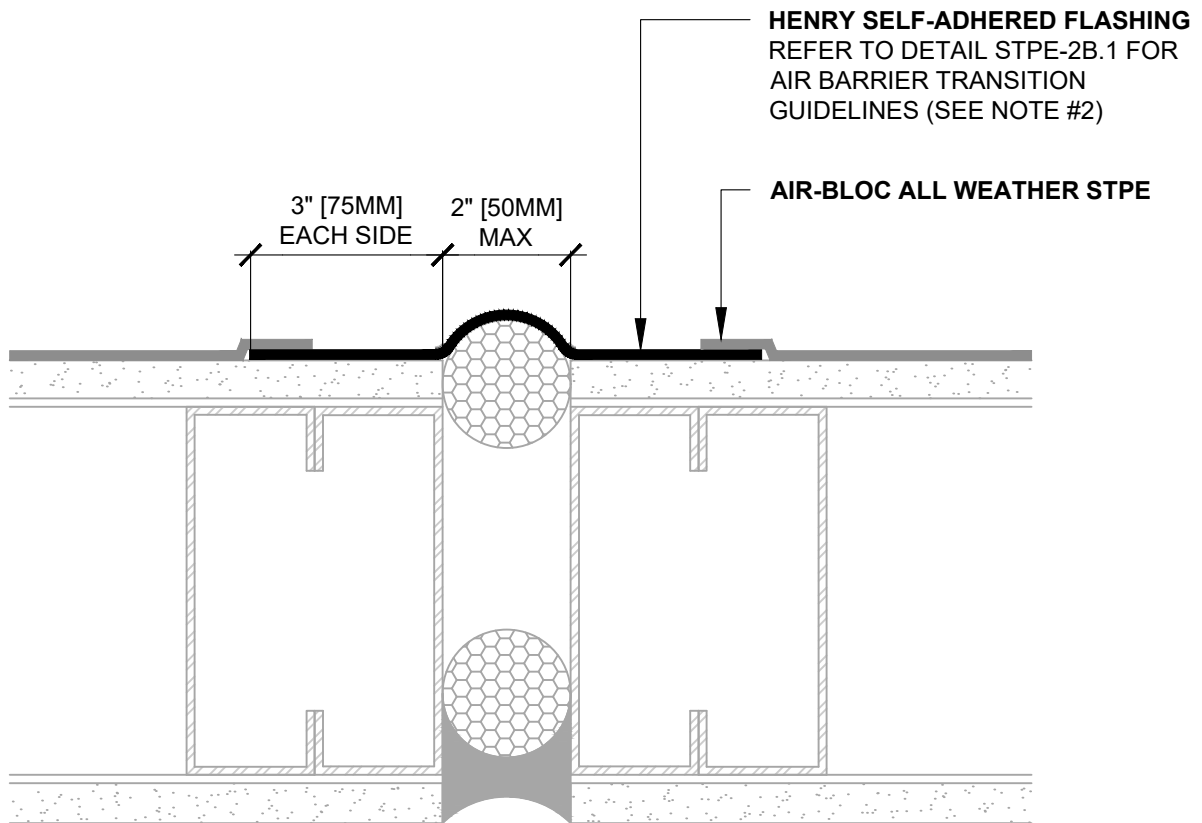
**PROJECT NAME**

02-01-2024

**STPE-4C.1**

THIS DETAIL IS INTENDED AS AN INSTALLATION GUIDE AND IS NOT TO SCALE. PROJECT NAME IS FOR SUBMITTAL PURPOSES ONLY. HENRY DOES NOT ASSUME RESPONSIBILITY FOR ERRORS OR DEVIATIONS IN DESIGN OR ENGINEERING. VERIFY PROJECT SPECIFIC SUITABILITY PRIOR TO INSTALLATION.





**NOTES**

1. DETAIL SHOWS HENRY **AIR-BLOC ALL WEATHER STPE VAPOR PERMEABLE AIR BARRIER**. SUBSTRATE SHOWN IS FOR REFERENCE ONLY. REFER TO PRODUCT SPECIFIC TECHNICAL DATA SHEET FOR ACCEPTABLE SUBSTRATES.
2. REFER TO DETAIL STPE-0A.1 FOR SYSTEM COMPONENTS. PRIMERS/ADHESIVES NOT SHOWN FOR CLARITY. REFER TO PRODUCT SPECIFIC TECHNICAL DATA SHEET FOR PRIMER/ADHESIVE RECOMMENDATIONS.
3. INSULATION, CLADDING, AND OPTIONAL INTERIOR VAPOR BARRIER NOT SHOWN FOR CLARITY. REFER TO LOCAL CODE ORDINANCES FOR INSULATION AND VAPOR BARRIER REQUIREMENTS.
4. REFER TO PRODUCT SPECIFIC TECHNICAL DATA SHEET, APPLICATION GUIDE, AND GUIDE SPECIFICATION FOR INSTALLATION PROCEDURES.



**HENRY AIR-BLOC ALL WEATHER STPE**

**EXPANSION JOINTS**

GAPS UP TO 2" [50MM] WIDE MAXIMUM  
BULB FLASHING METHOD

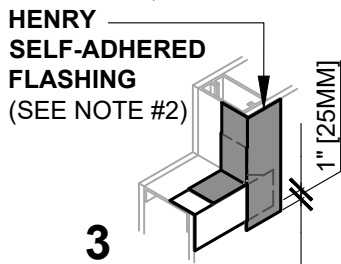
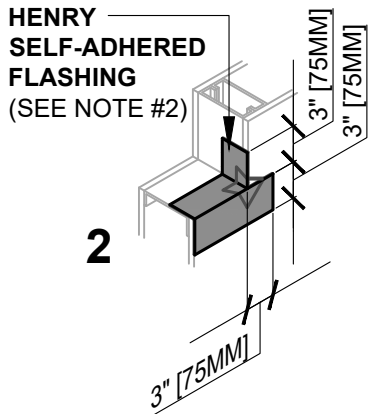
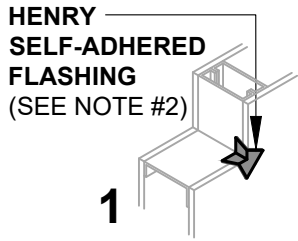
**PROJECT NAME**

02-01-2024

**STPE-4C.2**

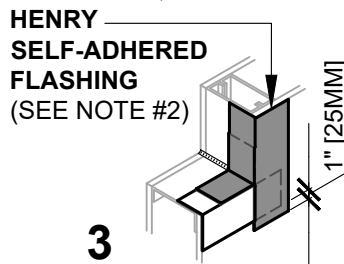
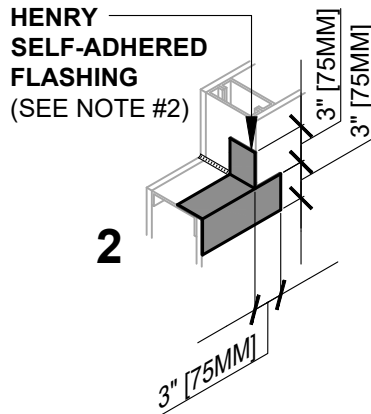
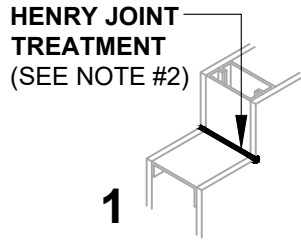
THIS DETAIL IS INTENDED AS AN INSTALLATION GUIDE AND IS NOT TO SCALE. PROJECT NAME IS FOR SUBMITTAL PURPOSES ONLY. HENRY DOES NOT ASSUME RESPONSIBILITY FOR ERRORS OR DEVIATIONS IN DESIGN OR ENGINEERING. VERIFY PROJECT SPECIFIC SUITABILITY PRIOR TO INSTALLATION.

**OPTION #1**  
GUSSET



**SELF-ADHERED FLASHING**  
ISOMETRIC VIEW

**OPTION #2**  
SEALANT



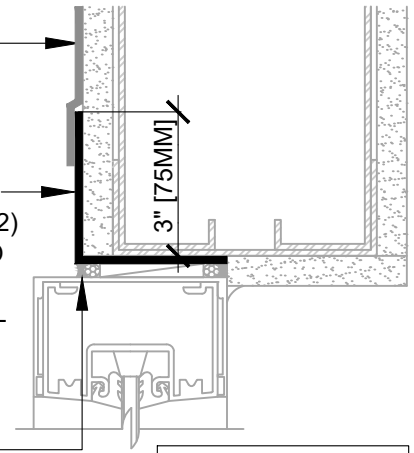
**AIR-BLOC ALL WEATHER STPE**

**HENRY SELF-ADHERED FLASHING** (SEE NOTE #2)  
EXTEND FLASHING INTO ROUGH OPENING (VERIFY DEPTH TO SEAL AT WINDOW)

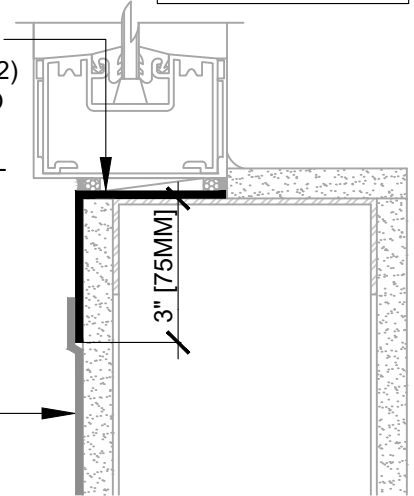
WINDOW SEALANT BY OTHERS - VERIFY SEALANT AND WINDOW FLASHING CHEMICAL COMPATIBILITY AND ADHESION

**HENRY SELF-ADHERED FLASHING** (SEE NOTE #2)  
EXTEND FLASHING INTO ROUGH OPENING (VERIFY DEPTH TO SEAL AT WINDOW)

**AIR-BLOC ALL WEATHER STPE**



INSTALL WINDOW PER WINDOW MANUFACTURER REQUIREMENTS



**FLASHING INSTALLED BEFORE WRB**  
SECTION VIEW

**NOTES**

1. DETAIL SHOWS HENRY **AIR-BLOC ALL WEATHER STPE VAPOR PERMEABLE AIR BARRIER**. SUBSTRATE SHOWN IS FOR REFERENCE ONLY. REFER TO PRODUCT SPECIFIC TECHNICAL DATA SHEET FOR ACCEPTABLE SUBSTRATES.
2. DETAIL SET STPE-5A.1 INCLUDES 3 PAGES OF GUIDELINES FOR FLASHING INSTALLED BEFORE THE AIR BARRIER. REFER TO DETAIL STPE-2B.1 FOR AIR BARRIER TRANSITION GUIDELINES.
3. REFER TO DETAIL STPE-0A.1 FOR SYSTEM COMPONENTS. PRIMERS/ADHESIVES NOT SHOWN FOR CLARITY. REFER TO PRODUCT SPECIFIC TECHNICAL DATA SHEET FOR PRIMER/ADHESIVE RECOMMENDATIONS.
4. ACTUAL CONDITIONS MAY VARY. VERIFY PROJECT SPECIFIC REQUIREMENTS WITH DESIGN PROFESSIONAL AND WINDOW MANUFACTURER.
5. INSULATION, CLADDING, AND OPTIONAL INTERIOR VAPOR BARRIER NOT SHOWN FOR CLARITY. REFER TO LOCAL CODE ORDINANCES FOR INSULATION AND VAPOR BARRIER REQUIREMENTS.
6. REFER TO PRODUCT SPECIFIC TECHNICAL DATA SHEET, APPLICATION GUIDE, AND GUIDE SPECIFICATION FOR INSTALLATION PROCEDURES.



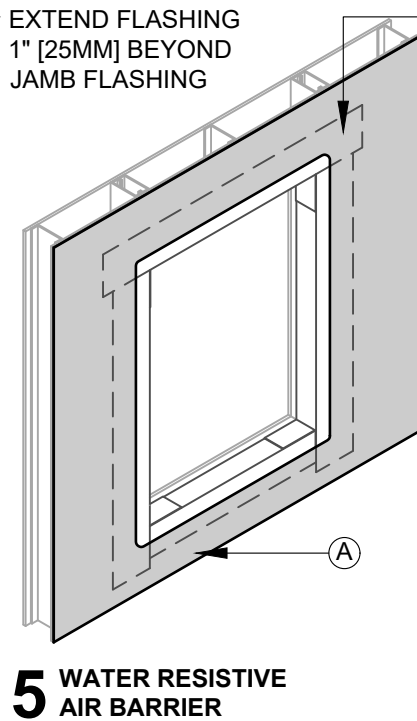
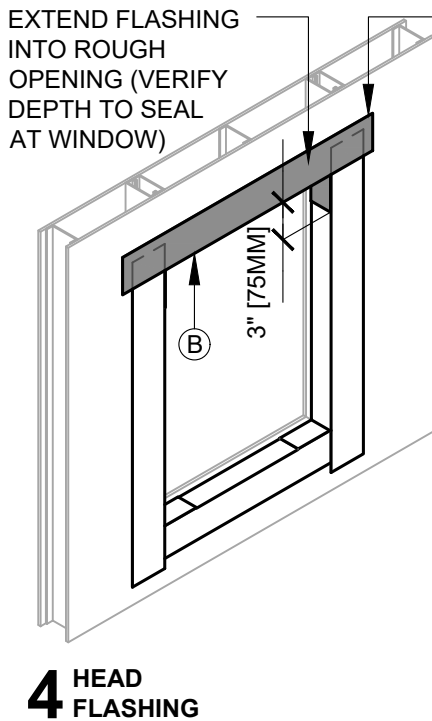
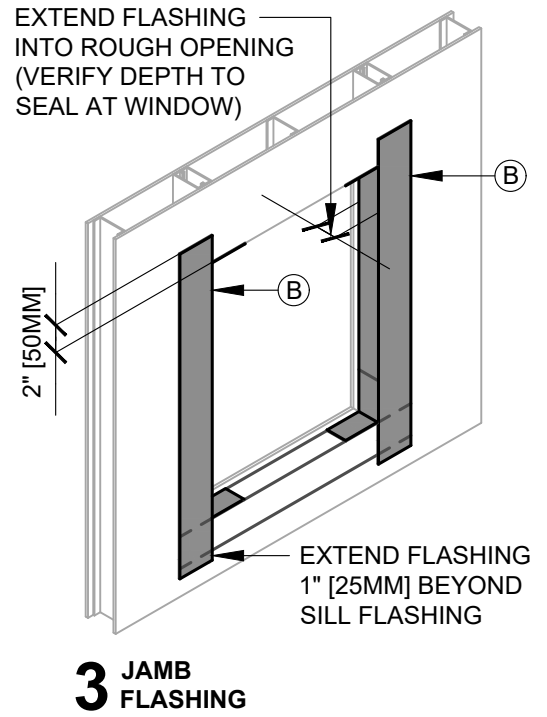
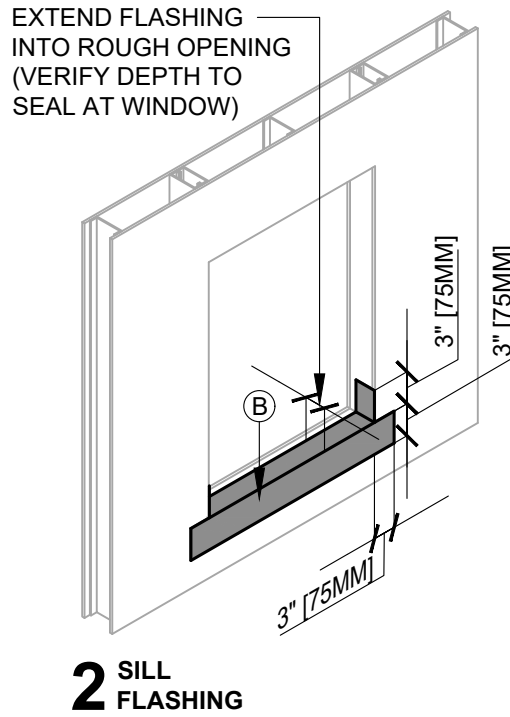
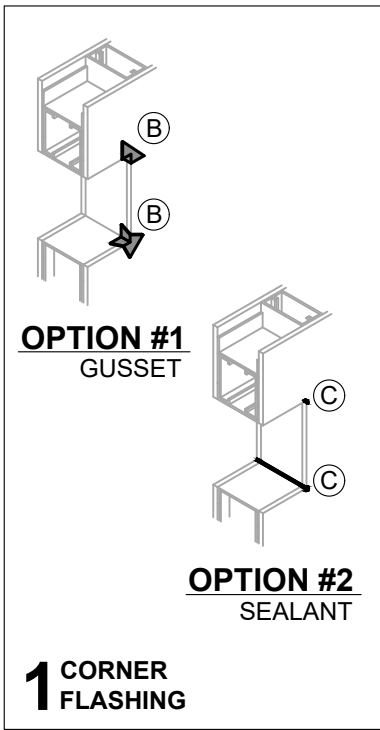
**HENRY AIR-BLOC ALL WEATHER STPE**  
**NON-FLANGED WINDOW**  
ROUGH OPENING FLASHING BEFORE WRB  
HENRY SELF-ADHERED FLASHING

PROJECT NAME

02-01-2024

STPE-5A.1

THIS DETAIL IS INTENDED AS AN INSTALLATION GUIDE AND IS NOT TO SCALE. PROJECT NAME IS FOR SUBMITTAL PURPOSES ONLY. HENRY DOES NOT ASSUME RESPONSIBILITY FOR ERRORS OR DEVIATIONS IN DESIGN OR ENGINEERING. VERIFY PROJECT SPECIFIC SUITABILITY PRIOR TO INSTALLATION.



**Henry** WEATHER RESISTIVE AIR BARRIER (WRB) ASSEMBLY  
A CARLISLE COMPANY

**HENRY WEATHER RESISTIVE AIR BARRIER**

(A) AIR-BLOC ALL WEATHER STPE

**AUXILIARY MATERIALS**

(SEE DETAIL STPE-0A.1 FOR HENRY SYSTEM COMPONENTS)

(B) HENRY SELF-ADHERED FLASHING (REFER TO DETAIL STPE-2B.1 FOR AIR BARRIER TRANSITION GUIDELINES)

(C) HENRY JOINT TREATMENT AND TERMINATION SEALANT

(D) AIR AND WATERTIGHT SEAL BY OTHERS

**NOTES**

1. DETAIL SHOWS HENRY AIR-BLOC ALL WEATHER STPE VAPOR PERMEABLE AIR BARRIER. SUBSTRATE SHOWN IS FOR REFERENCE ONLY. REFER TO PRODUCT SPECIFIC TECHNICAL DATA SHEET FOR ACCEPTABLE SUBSTRATES.
2. DETAIL SET STPE-5A.1 INCLUDES 3 PAGES OF GUIDELINES FOR FLASHING INSTALLED BEFORE THE AIR BARRIER.
3. REFER TO PRODUCT SPECIFIC TECHNICAL DATA SHEET, APPLICATION GUIDE, AND GUIDE SPECIFICATION.



**HENRY AIR-BLOC ALL WEATHER STPE**

**NON-FLANGED WINDOW**

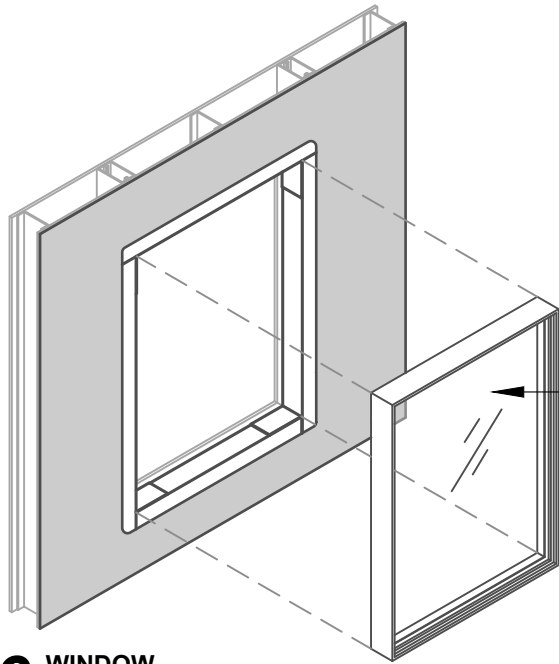
ROUGH OPENING FLASHING BEFORE WRB  
HENRY SELF-ADHERED FLASHING

PROJECT NAME

02-01-2024

STPE-5A.1

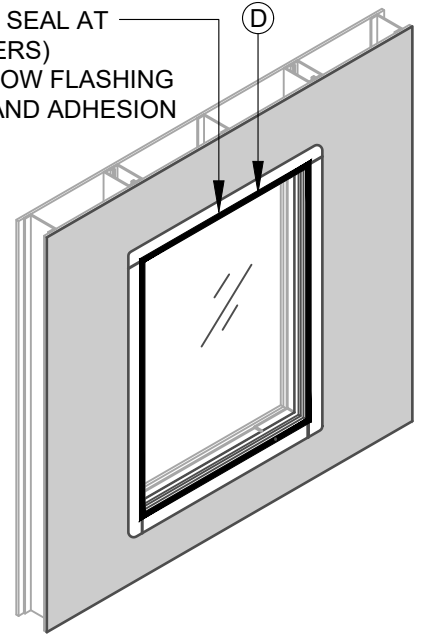
THIS DETAIL IS INTENDED AS AN INSTALLATION GUIDE AND IS NOT TO SCALE. PROJECT NAME IS FOR SUBMITTAL PURPOSES ONLY. HENRY DOES NOT ASSUME RESPONSIBILITY FOR ERRORS OR DEVIATIONS IN DESIGN OR ENGINEERING. VERIFY PROJECT SPECIFIC SUITABILITY PRIOR TO INSTALLATION.



**6 WINDOW INSTALLATION**

INSTALL AIR AND WATERTIGHT SEAL AT WINDOW PERIMETER (BY OTHERS)  
 - VERIFY SEALANT AND WINDOW FLASHING CHEMICAL COMPATIBILITY AND ADHESION

INSTALL WINDOW PER WINDOW MANUFACTURER INSTRUCTIONS



**7 INTERIOR AIR AND WATERTIGHT SEAL**

**NOTES**

1. DETAIL SHOWS HENRY **AIR-BLOC ALL WEATHER STPE VAPOR PERMEABLE AIR BARRIER**. SUBSTRATE SHOWN IS FOR REFERENCE ONLY. REFER TO PRODUCT SPECIFIC TECHNICAL DATA SHEET FOR ACCEPTABLE SUBSTRATES.
2. DETAIL SET STPE-5A.1 INCLUDES 3 PAGES OF GUIDELINES FOR FLASHING INSTALLED BEFORE THE AIR BARRIER.
3. REFER TO PRODUCT SPECIFIC TECHNICAL DATA SHEET, APPLICATION GUIDE, AND GUIDE SPECIFICATION.



**HENRY AIR-BLOC ALL WEATHER STPE**  
**NON-FLANGED WINDOW**  
 ROUGH OPENING FLASHING BEFORE WRB  
 HENRY SELF-ADHERED FLASHING

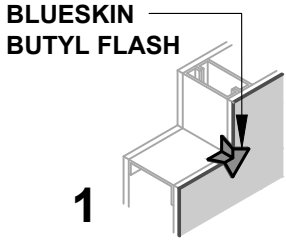
PROJECT NAME

02-01-2024

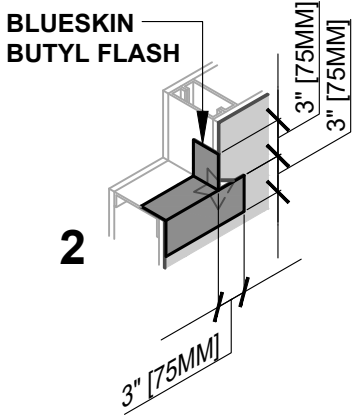
**STPE-5A.1**

THIS DETAIL IS INTENDED AS AN INSTALLATION GUIDE AND IS NOT TO SCALE. PROJECT NAME IS FOR SUBMITTAL PURPOSES ONLY. HENRY DOES NOT ASSUME RESPONSIBILITY FOR ERRORS OR DEVIATIONS IN DESIGN OR ENGINEERING. VERIFY PROJECT SPECIFIC SUITABILITY PRIOR TO INSTALLATION.

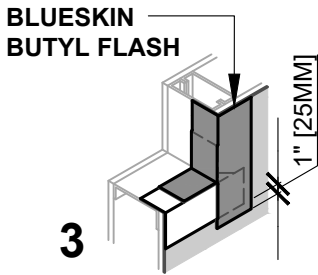
**OPTION #1**  
GUSSET



1



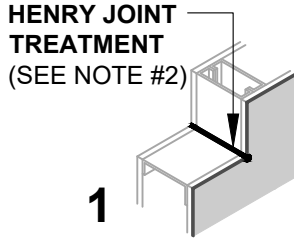
2



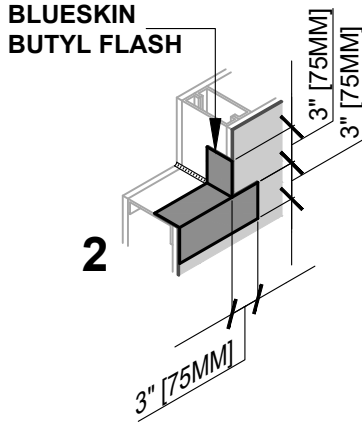
3

**BLUESKIN BUTYL FLASH**  
ISOMETRIC VIEW

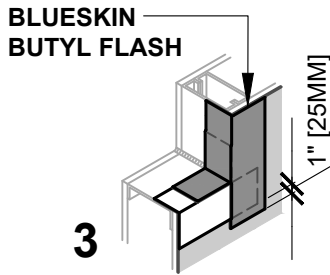
**OPTION #2**  
SEALANT



1



2



3

**BLUESKIN BUTYL FLASH**  
ISOMETRIC VIEW

AIR-BLOC ALL WEATHER STPE

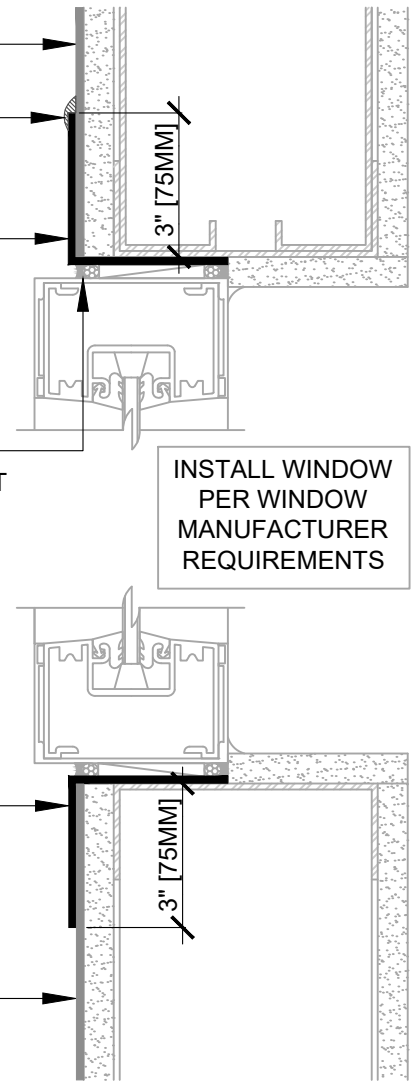
HENRY TERMINATION SEALANT (SEE NOTE #2)

BLUESKIN BUTYL FLASH EXTEND FLASHING INTO ROUGH OPENING (VERIFY DEPTH TO SEAL AT WINDOW)

WINDOW SEALANT BY OTHERS - VERIFY SEALANT AND WINDOW FLASHING CHEMICAL COMPATIBILITY AND ADHESION

BLUESKIN BUTYL FLASH EXTEND FLASHING INTO ROUGH OPENING (VERIFY DEPTH TO SEAL AT WINDOW)

AIR-BLOC ALL WEATHER STPE



INSTALL WINDOW PER WINDOW MANUFACTURER REQUIREMENTS

**FLASHING INSTALLED BEFORE WRB**  
SECTION VIEW

**NOTES**

1. DETAIL SHOWS HENRY **AIR-BLOC ALL WEATHER STPE VAPOR PERMEABLE AIR BARRIER**. SUBSTRATE SHOWN IS FOR REFERENCE ONLY. REFER TO PRODUCT SPECIFIC TECHNICAL DATA SHEET FOR ACCEPTABLE SUBSTRATES.
2. DETAIL SET STPE-5A.2 INCLUDES 3 PAGES OF GUIDELINES FOR FLASHING INSTALLED AFTER THE AIR BARRIER. REFER TO DETAIL STPE-2B.2 FOR AIR BARRIER TRANSITION GUIDELINES.
3. REFER TO DETAIL STPE-0A.1 FOR SYSTEM COMPONENTS. PRIMERS/ADHESIVES NOT SHOWN FOR CLARITY.
4. PREPARE SURFACES WITH HENRY **AQUATAC PRIMER** PRIOR TO **BLUESKIN BUTYL FLASH** INSTALLATION.
5. ACTUAL CONDITIONS MAY VARY. VERIFY PROJECT SPECIFIC REQUIREMENTS WITH DESIGN PROFESSIONAL AND WINDOW MANUFACTURER.
6. INSULATION, CLADDING, AND OPTIONAL INTERIOR VAPOR BARRIER NOT SHOWN FOR CLARITY. REFER TO LOCAL CODE ORDINANCES FOR INSULATION AND VAPOR BARRIER REQUIREMENTS.
7. REFER TO PRODUCT SPECIFIC TECHNICAL DATA SHEET, APPLICATION GUIDE, AND GUIDE SPECIFICATION FOR INSTALLATION PROCEDURES.



**HENRY AIR-BLOC ALL WEATHER STPE**

**NON-FLANGED WINDOW**

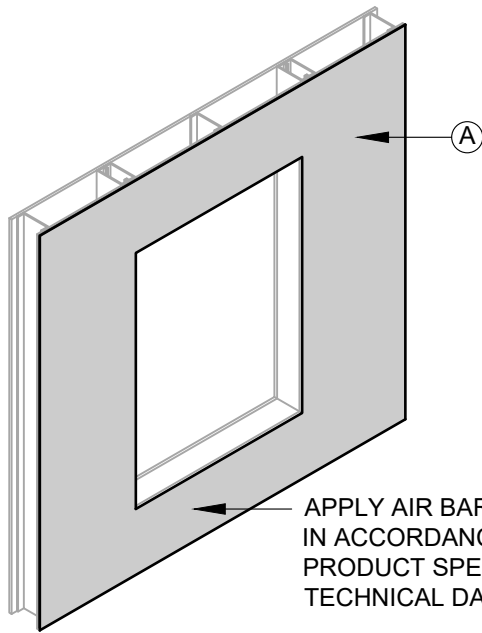
ROUGH OPENING FLASHING AFTER WRB  
HENRY SELF-ADHERED FLASHING

PROJECT NAME

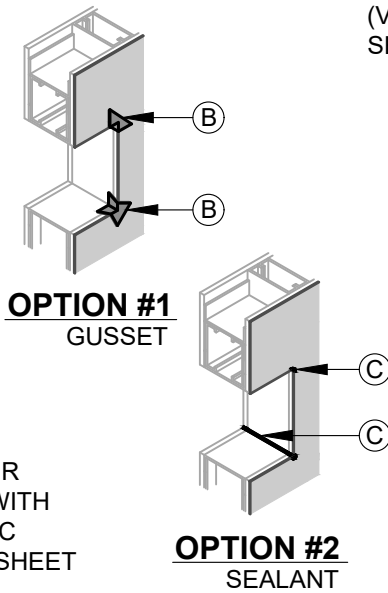
02-01-2024

STPE-5A.2

THIS DETAIL IS INTENDED AS AN INSTALLATION GUIDE AND IS NOT TO SCALE. PROJECT NAME IS FOR SUBMITTAL PURPOSES ONLY. HENRY DOES NOT ASSUME RESPONSIBILITY FOR ERRORS OR DEVIATIONS IN DESIGN OR ENGINEERING. VERIFY PROJECT SPECIFIC SUITABILITY PRIOR TO INSTALLATION.

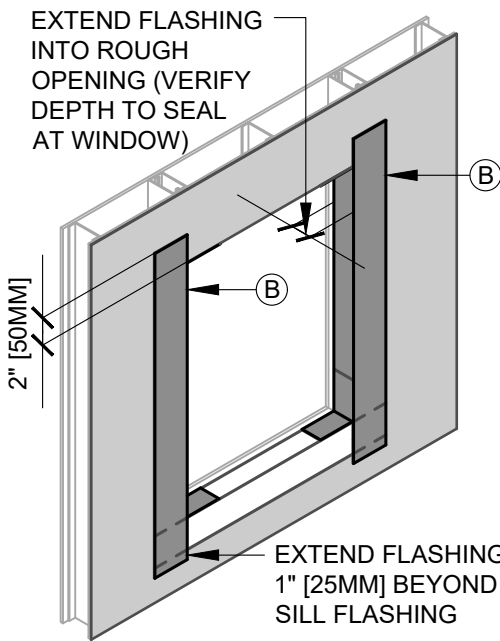


**1 WATER RESISTIVE AIR BARRIER**

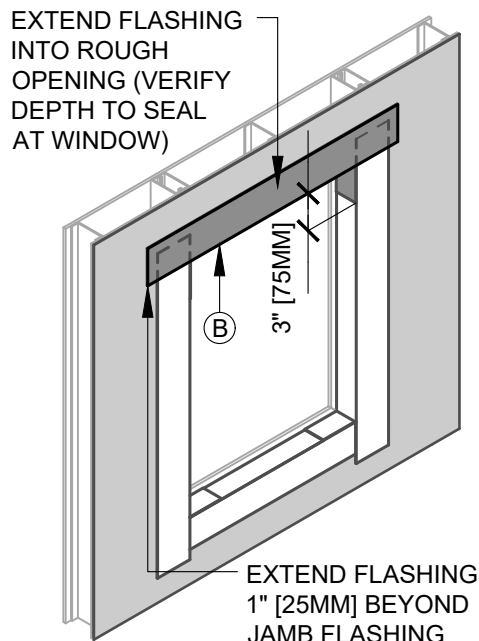


**2 CORNER FLASHING**

**3 SILL FLASHING**



**4 JAMB FLASHING**



**5 HEAD FLASHING**

**Henry** WEATHER RESISTIVE AIR BARRIER (WRB) ASSEMBLY  
A CARLISLE COMPANY

**HENRY WEATHER RESISTIVE AIR BARRIER**

(A) AIR-BLOC ALL WEATHER STPE

**AUXILIARY MATERIALS**  
(SEE DETAIL STPE-0A.1 FOR HENRY SYSTEM COMPONENTS)

(B) **BLUESKIN BUTYL FLASH**  
PREPARE SURFACES WITH HENRY **AQUATAC PRIMER** (REFER TO DETAIL STPE-2B.2 FOR AIR BARRIER TRANSITION GUIDELINES)

(C) **HENRY JOINT TREATMENT AND TERMINATION SEALANT**

(D) **AIR AND WATERTIGHT SEAL BY OTHERS**

**NOTES**

1. DETAIL SHOWS HENRY **AIR-BLOC ALL WEATHER STPE VAPOR PERMEABLE AIR BARRIER**. SUBSTRATE SHOWN IS FOR REFERENCE ONLY. REFER TO PRODUCT SPECIFIC TECHNICAL DATA SHEET FOR ACCEPTABLE SUBSTRATES.
2. DETAIL SET STPE-5A.2 INCLUDES 3 PAGES OF GUIDELINES FOR FLASHING INSTALLED AFTER THE AIR BARRIER.
3. REFER TO PRODUCT SPECIFIC TECHNICAL DATA SHEET, APPLICATION GUIDE, AND GUIDE SPECIFICATION.



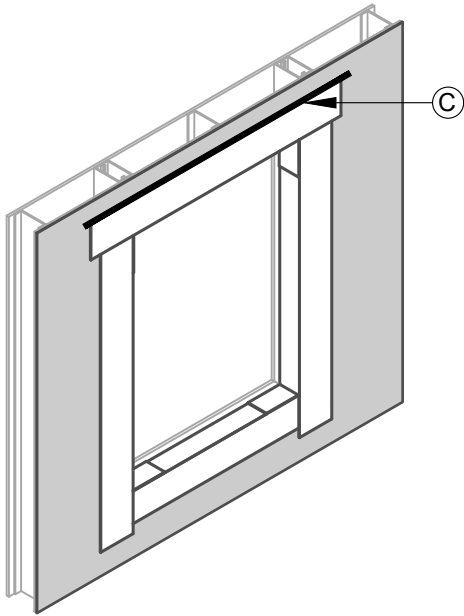
**HENRY AIR-BLOC ALL WEATHER STPE**  
**NON-FLANGED WINDOW**  
ROUGH OPENING FLASHING AFTER WRB  
HENRY SELF-ADHERED FLASHING

PROJECT NAME

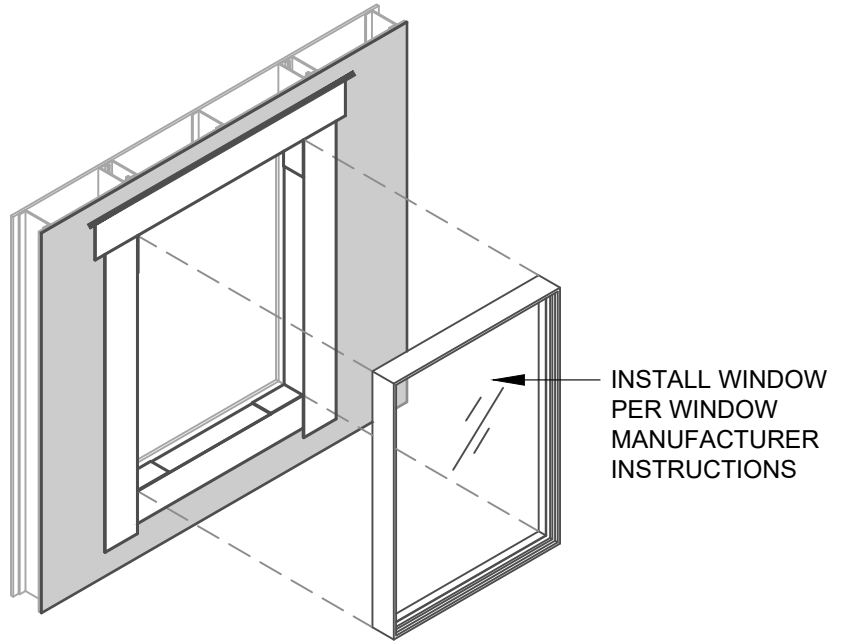
02-01-2024

**STPE-5A.2**

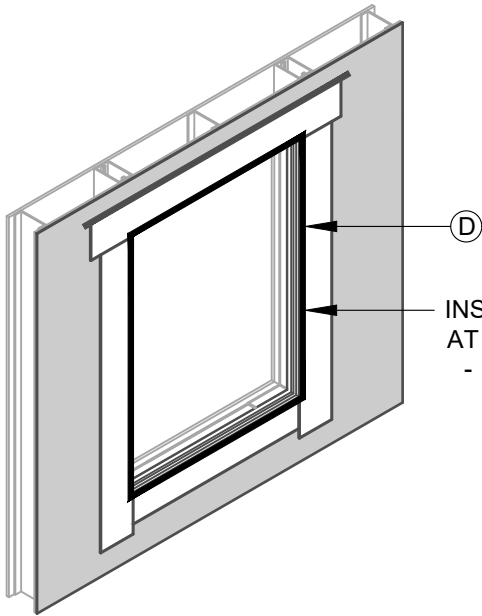
THIS DETAIL IS INTENDED AS AN INSTALLATION GUIDE AND IS NOT TO SCALE. PROJECT NAME IS FOR SUBMITTAL PURPOSES ONLY. HENRY DOES NOT ASSUME RESPONSIBILITY FOR ERRORS OR DEVIATIONS IN DESIGN OR ENGINEERING. VERIFY PROJECT SPECIFIC SUITABILITY PRIOR TO INSTALLATION.



**6** TERMINATION SEALANT



**7** WINDOW INSTALLATION



**8** AIR AND WATERTIGHT SEAL AT WINDOW

INSTALL AIR AND WATERTIGHT SEAL AT WINDOW PERIMETER (BY OTHERS)  
 - VERIFY SEALANT AND WINDOW FLASHING CHEMICAL COMPATIBILITY AND ADHESION

**NOTES**

1. DETAIL SHOWS HENRY **AIR-BLOC ALL WEATHER STPE VAPOR PERMEABLE AIR BARRIER**. SUBSTRATE SHOWN IS FOR REFERENCE ONLY. REFER TO PRODUCT SPECIFIC TECHNICAL DATA SHEET FOR ACCEPTABLE SUBSTRATES.
2. DETAIL SET STPE-5A.2 INCLUDES 3 PAGES OF GUIDELINES FOR FLASHING INSTALLED AFTER THE AIR BARRIER.
3. REFER TO PRODUCT SPECIFIC TECHNICAL DATA SHEET, APPLICATION GUIDE, AND GUIDE SPECIFICATION.



**HENRY AIR-BLOC ALL WEATHER STPE  
 NON-FLANGED WINDOW  
 ROUGH OPENING FLASHING AFTER WRB  
 HENRY SELF-ADHERED FLASHING**

**PROJECT NAME**

02-01-2024

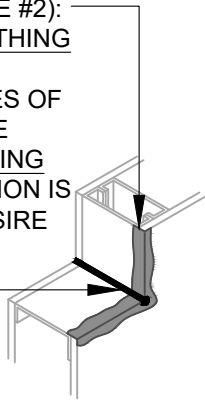
**STPE-5A.2**

THIS DETAIL IS INTENDED AS AN INSTALLATION GUIDE AND IS NOT TO SCALE. PROJECT NAME IS FOR SUBMITTAL PURPOSES ONLY. HENRY DOES NOT ASSUME RESPONSIBILITY FOR ERRORS OR DEVIATIONS IN DESIGN OR ENGINEERING. VERIFY PROJECT SPECIFIC SUITABILITY PRIOR TO INSTALLATION.

PRIMER (SEE NOTE #2):

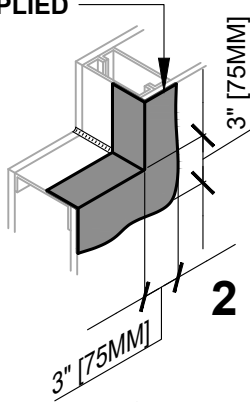
- GYPSUM SHEATHING  
ENCAPSULATE  
CUT/RAW EDGES OF  
EXPOSED CORE
- WOOD SHEATHING  
WHERE ADHESION IS  
LESS THAN DESIRE

HENRY JOINT  
TREATMENT  
(SEE NOTE #2)



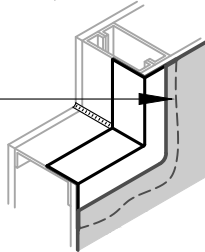
1

HENRY LIQUID-APPLIED  
FLASHING  
(SEE NOTE #2)



2

AIR-BLOC ALL  
WEATHER STPE



3

### LIQUID-APPLIED FLASHING

ISOMETRIC VIEW

AIR-BLOC ALL  
WEATHER STPE

HENRY LIQUID-APPLIED  
FLASHING (SEE NOTE #2)  
EXTEND FLASHING INTO  
ROUGH OPENING (VERIFY  
DEPTH TO SEAL AT WINDOW)

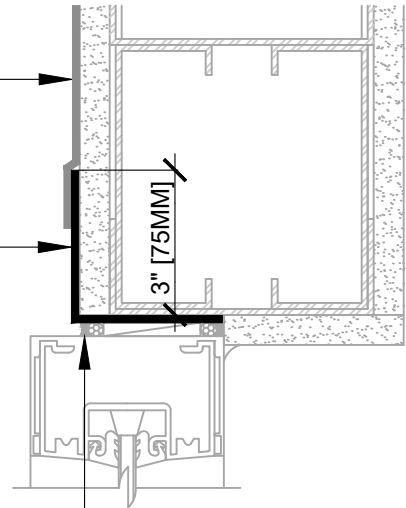
- GYPSUM SHEATHING  
25 MILS MINIMUM
- WOOD SHEATHING  
40 MILS MINIMUM

WINDOW SEALANT BY  
OTHERS - VERIFY SEALANT  
AND WINDOW FLASHING  
CHEMICAL COMPATIBILITY  
AND ADHESION

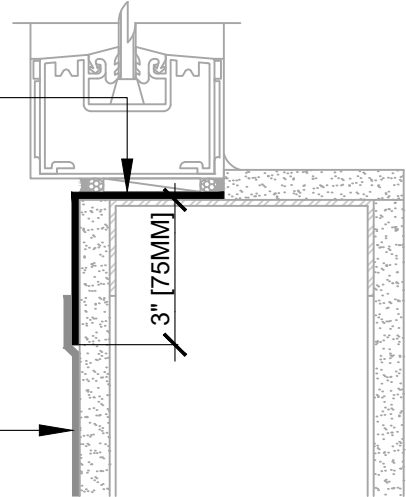
HENRY LIQUID-APPLIED  
FLASHING (SEE NOTE #2)  
EXTEND FLASHING INTO  
ROUGH OPENING (VERIFY  
DEPTH TO SEAL AT WINDOW)

- GYPSUM SHEATHING  
25 MILS MINIMUM
- WOOD SHEATHING  
40 MILS MINIMUM

AIR-BLOC ALL  
WEATHER STPE



INSTALL WINDOW  
PER WINDOW  
MANUFACTURER  
REQUIREMENTS



### FLASHING INSTALLED BEFORE WRB

SECTION VIEW

#### NOTES

1. DETAIL SHOWS HENRY **AIR-BLOC ALL WEATHER STPE VAPOR PERMEABLE AIR BARRIER**. SUBSTRATE SHOWN IS FOR REFERENCE ONLY. REFER TO PRODUCT SPECIFIC TECHNICAL DATA SHEET FOR ACCEPTABLE SUBSTRATES.
2. DETAIL SET STPE-5A.3 INCLUDES 3 PAGES OF GUIDELINES FOR FLASHING INSTALLED BEFORE THE AIR BARRIER. REFER TO DETAIL STPE-2A.1 FOR AIR BARRIER TRANSITION GUIDELINES.
3. REFER TO DETAIL STPE-0A.1 FOR SYSTEM COMPONENTS. REFER TO PRODUCT SPECIFIC TECHNICAL DATA SHEET FOR PRIMER/ADHESIVE RECOMMENDATIONS.
4. ACTUAL CONDITIONS MAY VARY. VERIFY PROJECT SPECIFIC REQUIREMENTS WITH DESIGN PROFESSIONAL AND WINDOW MANUFACTURER.
5. INSULATION, CLADDING, AND OPTIONAL INTERIOR VAPOR BARRIER NOT SHOWN FOR CLARITY. REFER TO LOCAL CODE ORDINANCES FOR INSULATION AND VAPOR BARRIER REQUIREMENTS.
6. REFER TO PRODUCT SPECIFIC TECHNICAL DATA SHEET, APPLICATION GUIDE, AND GUIDE SPECIFICATION FOR INSTALLATION PROCEDURES.



HENRY AIR-BLOC ALL WEATHER STPE

## NON-FLANGED WINDOW

ROUGH OPENING FLASHING BEFORE WRB  
HENRY LIQUID-APPLIED FLASHING

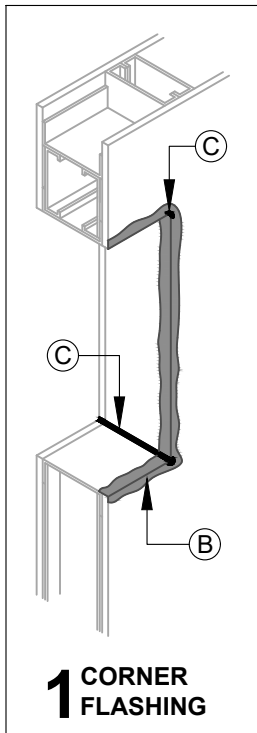
PROJECT NAME

02-01-2024

STPE-5A.3

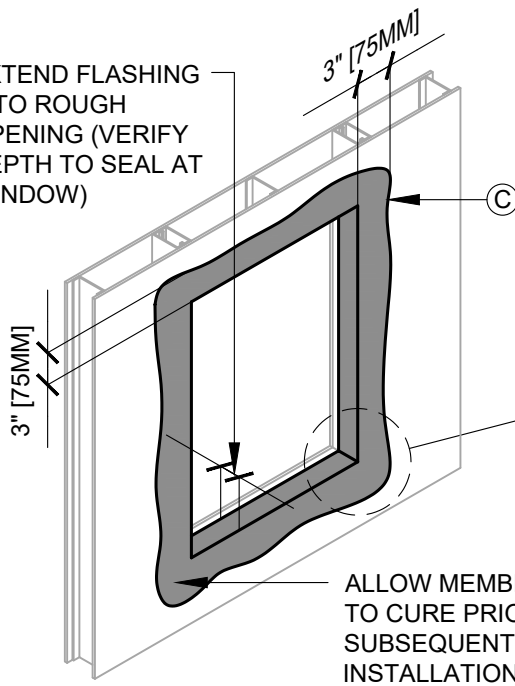
THIS DETAIL IS INTENDED AS AN INSTALLATION GUIDE AND IS NOT TO SCALE. PROJECT NAME IS FOR SUBMITTAL PURPOSES ONLY. HENRY DOES NOT ASSUME RESPONSIBILITY FOR ERRORS OR DEVIATIONS IN DESIGN OR ENGINEERING. VERIFY PROJECT SPECIFIC SUITABILITY PRIOR TO INSTALLATION.





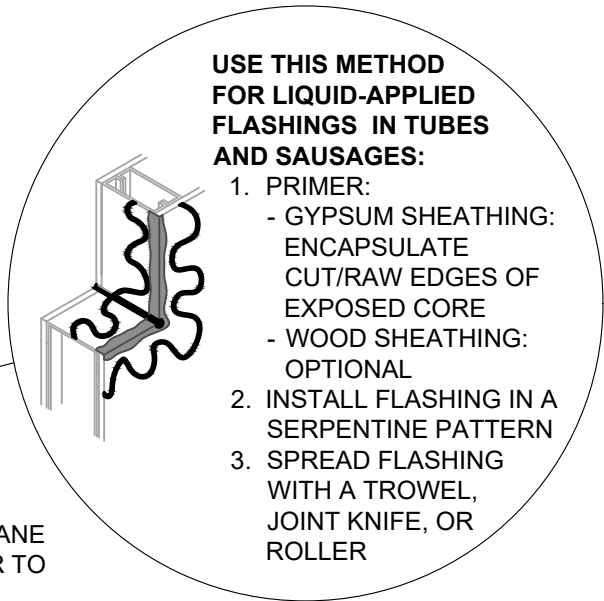
**1** CORNER FLASHING

EXTEND FLASHING INTO ROUGH OPENING (VERIFY DEPTH TO SEAL AT WINDOW)



**2** LIQUID-APPLIED FLASHING

ALLOW MEMBRANE TO CURE PRIOR TO SUBSEQUENT INSTALLATIONS

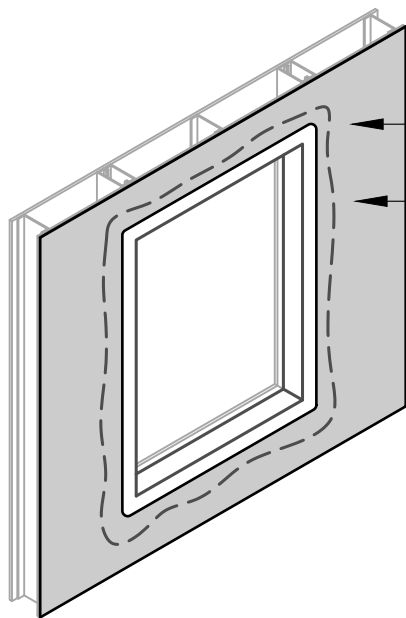


**USE THIS METHOD FOR LIQUID-APPLIED FLASHINGS IN TUBES AND SAUSAGES:**

1. PRIMER:
  - GYPSUM SHEATHING: ENCAPSULATE CUT/RAW EDGES OF EXPOSED CORE
  - WOOD SHEATHING: OPTIONAL
2. INSTALL FLASHING IN A SERPENTINE PATTERN
3. SPREAD FLASHING WITH A TROWEL, JOINT KNIFE, OR ROLLER

**Henry** WEATHER RESISTIVE AIR BARRIER (WRB) ASSEMBLY  
A CARLISLE COMPANY

HENRY WEATHER RESISTIVE AIR BARRIER	
(A)	AIR-BLOC ALL WEATHER STPE
AUXILIARY MATERIALS (SEE DETAIL STPE-0A.1 FOR HENRY SYSTEM COMPONENTS)	
(B)	<b>HENRY PRIMER/ADHESIVE</b> <ul style="list-style-type: none"> <li>• GYPSUM SHEATHING ENCAPSULATE CUT/RAW EDGES OF EXPOSED CORE</li> <li>• WOOD SHEATHING INSTALL WHERE ADHESION IS LESS THAN DESIRED</li> </ul>
(C)	<b>HENRY LIQUID-APPLIED FLASHING</b> (REFER TO DETAIL STPE-2A.1 FOR AIR BARRIER TRANSITION GUIDELINES) <ul style="list-style-type: none"> <li>• GYPSUM SHEATHING 25 MILS MINIMUM</li> <li>• WOOD SHEATHING 40 MILS MINIMUM</li> </ul>
(D)	AIR AND WATERTIGHT SEAL BY OTHERS



**3** WATER RESISTIVE AIR BARRIER

APPLY AIR BARRIER IN ACCORDANCE WITH PRODUCT SPECIFIC TECHNICAL DATA SHEET

**NOTES**

1. DETAIL SHOWS HENRY AIR-BLOC ALL WEATHER STPE VAPOR PERMEABLE AIR BARRIER. SUBSTRATE SHOWN IS FOR REFERENCE ONLY. REFER TO PRODUCT SPECIFIC TECHNICAL DATA SHEET FOR ACCEPTABLE SUBSTRATES.
2. DETAIL SET STPE-5A.3 INCLUDES 3 PAGES OF GUIDELINES FOR FLASHING INSTALLED BEFORE THE AIR BARRIER.
3. REFER TO PRODUCT SPECIFIC TECHNICAL DATA SHEET, APPLICATION GUIDE, AND GUIDE SPECIFICATION.



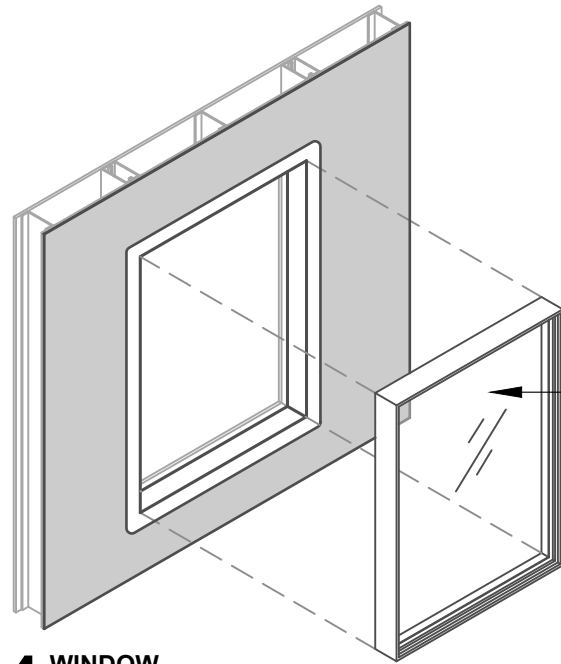
**HENRY AIR-BLOC ALL WEATHER STPE**  
**NON-FLANGED WINDOW**  
ROUGH OPENING FLASHING BEFORE WRB  
HENRY LIQUID-APPLIED FLASHING

PROJECT NAME

02-01-2024

STPE-5A.3

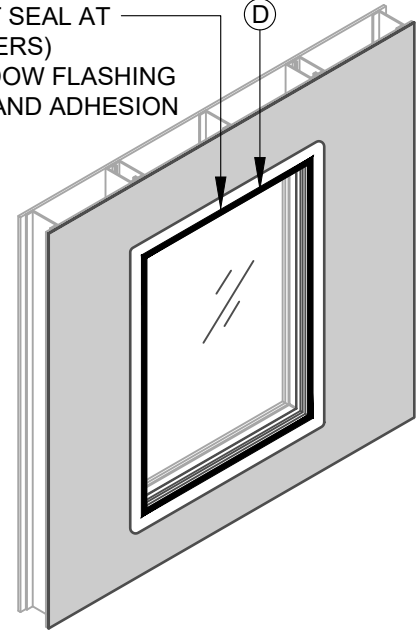
THIS DETAIL IS INTENDED AS AN INSTALLATION GUIDE AND IS NOT TO SCALE. PROJECT NAME IS FOR SUBMITTAL PURPOSES ONLY. HENRY DOES NOT ASSUME RESPONSIBILITY FOR ERRORS OR DEVIATIONS IN DESIGN OR ENGINEERING. VERIFY PROJECT SPECIFIC SUITABILITY PRIOR TO INSTALLATION.



**4** WINDOW INSTALLATION

INSTALL AIR AND WATERTIGHT SEAL AT WINDOW PERIMETER (BY OTHERS)  
 - VERIFY SEALANT AND WINDOW FLASHING CHEMICAL COMPATIBILITY AND ADHESION

INSTALL WINDOW PER WINDOW MANUFACTURER INSTRUCTIONS



**5** INTERIOR AIR AND WATERTIGHT SEAL

**NOTES**

1. DETAIL SHOWS HENRY **AIR-BLOC ALL WEATHER STPE VAPOR PERMEABLE AIR BARRIER**. SUBSTRATE SHOWN IS FOR REFERENCE ONLY. REFER TO PRODUCT SPECIFIC TECHNICAL DATA SHEET FOR ACCEPTABLE SUBSTRATES.
2. DETAIL SET STPE-5A.3 INCLUDES 3 PAGES OF GUIDELINES FOR FLASHING INSTALLED BEFORE THE AIR BARRIER.
3. REFER TO PRODUCT SPECIFIC TECHNICAL DATA SHEET, APPLICATION GUIDE, AND GUIDE SPECIFICATION.



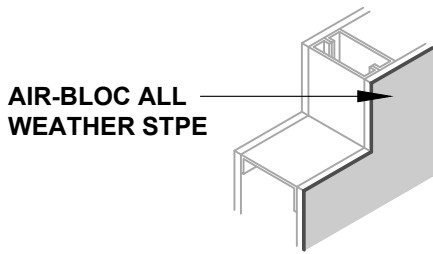
**HENRY AIR-BLOC ALL WEATHER STPE**  
**NON-FLANGED WINDOW**  
 ROUGH OPENING FLASHING BEFORE WRB  
 HENRY LIQUID-APPLIED FLASHING

**PROJECT NAME**

02-01-2024

**STPE-5A.3**

THIS DETAIL IS INTENDED AS AN INSTALLATION GUIDE AND IS NOT TO SCALE. PROJECT NAME IS FOR SUBMITTAL PURPOSES ONLY. HENRY DOES NOT ASSUME RESPONSIBILITY FOR ERRORS OR DEVIATIONS IN DESIGN OR ENGINEERING. VERIFY PROJECT SPECIFIC SUITABILITY PRIOR TO INSTALLATION.



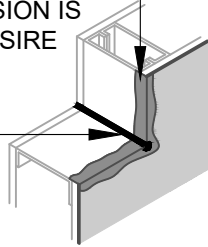
**AIR-BLOC ALL WEATHER STPE**

**1**

PRIMER (SEE NOTE #2):

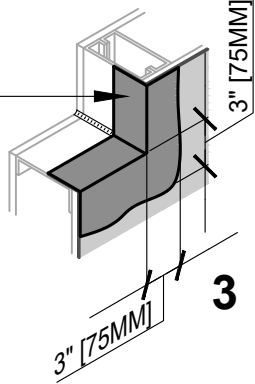
- GYPSUM SHEATHING  
ENCAPSULATE CUT/RAW EDGES OF EXPOSED CORE
- WOOD SHEATHING  
WHERE ADHESION IS LESS THAN DESIRE

**HENRY JOINT TREATMENT**  
(SEE NOTE #2)



**2**

**HENRY LIQUID-APPLIED FLASHING**  
(SEE NOTE #2)



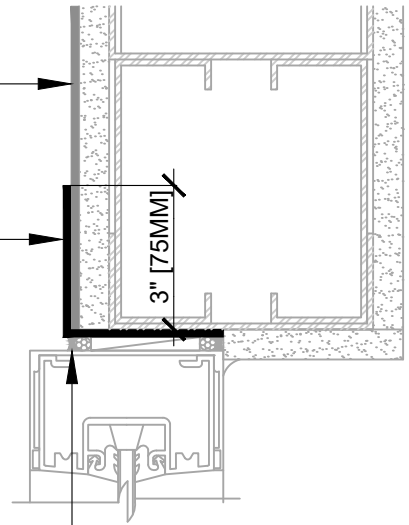
**3**

**AIR-BLOC ALL WEATHER STPE**

**HENRY LIQUID-APPLIED FLASHING** (SEE NOTE #2)  
EXTEND FLASHING INTO ROUGH OPENING (VERIFY DEPTH TO SEAL AT WINDOW)

- GYPSUM SHEATHING  
25 MILS MINIMUM
- WOOD SHEATHING  
40 MILS MINIMUM

WINDOW SEALANT BY OTHERS - VERIFY SEALANT AND WINDOW FLASHING CHEMICAL COMPATIBILITY AND ADHESION

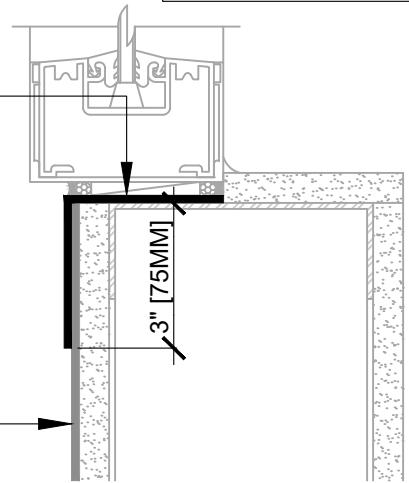


INSTALL WINDOW PER WINDOW MANUFACTURER REQUIREMENTS

**HENRY LIQUID-APPLIED FLASHING** (SEE NOTE #2)  
EXTEND FLASHING INTO ROUGH OPENING (VERIFY DEPTH TO SEAL AT WINDOW)

- GYPSUM SHEATHING  
25 MILS MINIMUM
- WOOD SHEATHING  
40 MILS MINIMUM

**AIR-BLOC ALL WEATHER STPE**



**LIQUID-APPLIED FLASHING**

ISOMETRIC VIEW

**FLASHING INSTALLED AFTER WRB**

SECTION VIEW

**NOTES**

1. DETAIL SHOWS HENRY **AIR-BLOC ALL WEATHER STPE VAPOR PERMEABLE AIR BARRIER**. SUBSTRATE SHOWN IS FOR REFERENCE ONLY. REFER TO PRODUCT SPECIFIC TECHNICAL DATA SHEET FOR ACCEPTABLE SUBSTRATES.
2. DETAIL SET STPE-5A.4 INCLUDES 3 PAGES OF GUIDELINES FOR FLASHING INSTALLED AFTER THE AIR BARRIER. REFER TO DETAIL STPE-2A.1 FOR AIR BARRIER TRANSITION GUIDELINES.
3. REFER TO DETAIL STPE-0A.1 FOR SYSTEM COMPONENTS. REFER TO PRODUCT SPECIFIC TECHNICAL DATA SHEET FOR PRIMER/ADHESIVE RECOMMENDATIONS.
4. ACTUAL CONDITIONS MAY VARY. VERIFY PROJECT SPECIFIC REQUIREMENTS WITH DESIGN PROFESSIONAL AND WINDOW MANUFACTURER.
5. INSULATION, CLADDING, AND OPTIONAL INTERIOR VAPOR BARRIER NOT SHOWN FOR CLARITY. REFER TO LOCAL CODE ORDINANCES FOR INSULATION AND VAPOR BARRIER REQUIREMENTS.
6. REFER TO PRODUCT SPECIFIC TECHNICAL DATA SHEET, APPLICATION GUIDE, AND GUIDE SPECIFICATION FOR INSTALLATION PROCEDURES.



**HENRY AIR-BLOC ALL WEATHER STPE**

**NON-FLANGED WINDOW**

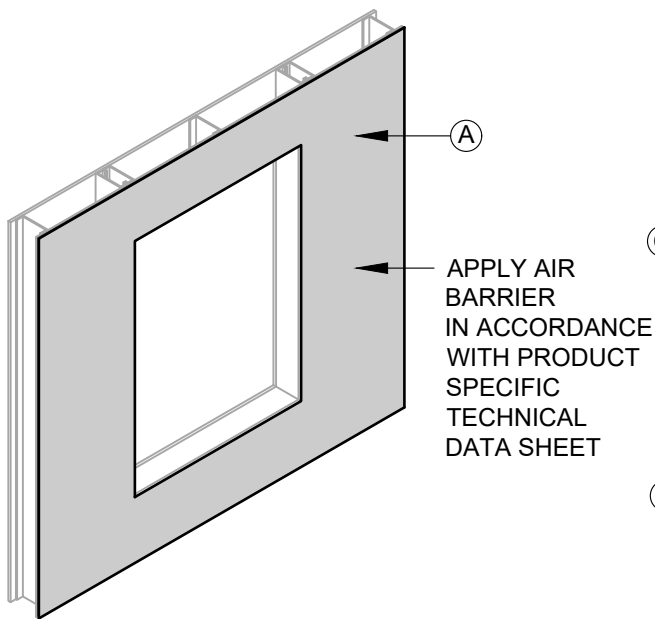
ROUGH OPENING FLASHING AFTER WRB  
HENRY LIQUID-APPLIED FLASHING

PROJECT NAME

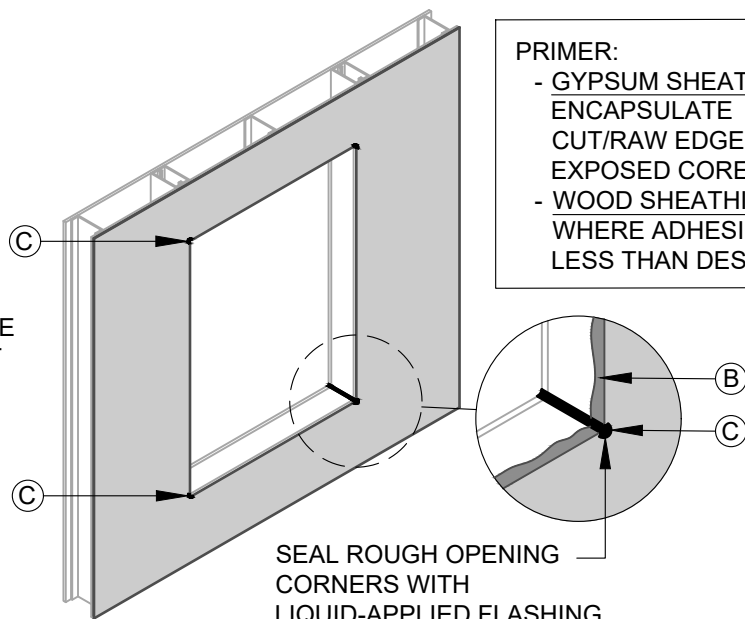
02-01-2024

STPE-5A.4

THIS DETAIL IS INTENDED AS AN INSTALLATION GUIDE AND IS NOT TO SCALE. PROJECT NAME IS FOR SUBMITTAL PURPOSES ONLY. HENRY DOES NOT ASSUME RESPONSIBILITY FOR ERRORS OR DEVIATIONS IN DESIGN OR ENGINEERING. VERIFY PROJECT SPECIFIC SUITABILITY PRIOR TO INSTALLATION.



**1 WATER RESISTIVE AIR BARRIER**



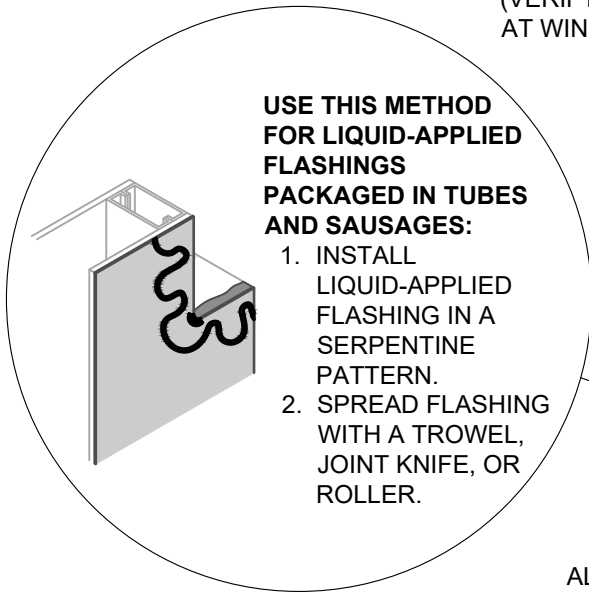
**2 CORNER FLASHING**

**PRIMER:**

- GYPSUM SHEATHING ENCAPSULATE CUT/RAW EDGES OF EXPOSED CORE
- WOOD SHEATHING WHERE ADHESION IS LESS THAN DESIRED

EXTEND FLASHING INTO ROUGH OPENING (VERIFY DEPTH TO SEAL AT WINDOW)

3" [75MM] ALL SIDES



**3 LIQUID-APPLIED FLASHING**

ALLOW MEMBRANE TO CURE PRIOR TO SUBSEQUENT INSTALLATIONS

**Henry WEATHER RESISTIVE AIR BARRIER (WRB) ASSEMBLY**

<b>HENRY WEATHER RESISTIVE AIR BARRIER</b>
<b>(A) AIR-BLOC ALL WEATHER STPE</b>
<b>AUXILIARY MATERIALS</b> (SEE DETAIL STPE-0A.1 FOR HENRY SYSTEM COMPONENTS)
<b>(B) HENRY PRIMER/ADHESIVE</b>
<b>(C) HENRY LIQUID-APPLIED FLASHING</b> (REFER TO DETAIL STPE-2A.1 FOR AIR BARRIER TRANSITION GUIDELINES)
<ul style="list-style-type: none"> <li>• GYPSUM SHEATHING 25 MILS MINIMUM</li> <li>• WOOD SHEATHING 40 MILS MINIMUM</li> </ul>
<b>(D) AIR AND WATERTIGHT SEAL BY OTHERS</b>

**NOTES**

1. DETAIL SHOWS HENRY AIR-BLOC ALL WEATHER STPE VAPOR PERMEABLE AIR BARRIER. SUBSTRATE SHOWN IS FOR REFERENCE ONLY. REFER TO PRODUCT SPECIFIC TECHNICAL DATA SHEET FOR ACCEPTABLE SUBSTRATES.
2. DETAIL SET STPE-5A.4 INCLUDES 3 PAGES OF GUIDELINES FOR FLASHING INSTALLED AFTER THE AIR BARRIER.
3. REFER TO PRODUCT SPECIFIC TECHNICAL DATA SHEET, APPLICATION GUIDE, AND GUIDE SPECIFICATION.



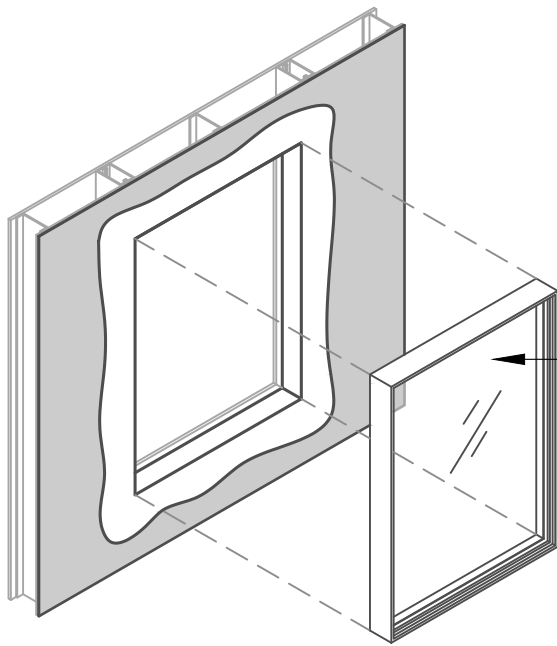
**HENRY AIR-BLOC ALL WEATHER STPE**  
**NON-FLANGED WINDOW**  
 ROUGH OPENING FLASHING AFTER WRB  
 HENRY LIQUID-APPLIED FLASHING

**PROJECT NAME**

02-01-2024

**STPE-5A.4**

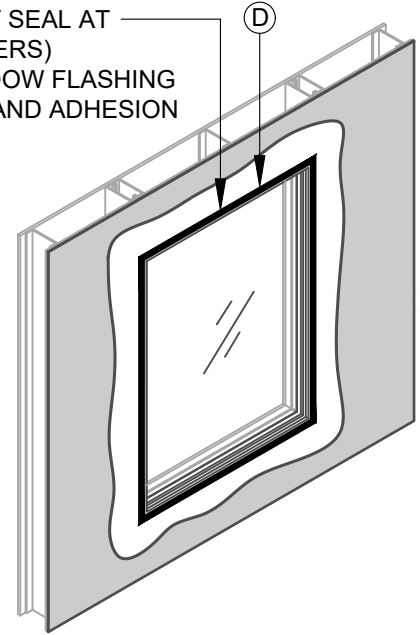
THIS DETAIL IS INTENDED AS AN INSTALLATION GUIDE AND IS NOT TO SCALE. PROJECT NAME IS FOR SUBMITTAL PURPOSES ONLY. HENRY DOES NOT ASSUME RESPONSIBILITY FOR ERRORS OR DEVIATIONS IN DESIGN OR ENGINEERING. VERIFY PROJECT SPECIFIC SUITABILITY PRIOR TO INSTALLATION.



**4** WINDOW INSTALLATION

INSTALL AIR AND WATERTIGHT SEAL AT WINDOW PERIMETER (BY OTHERS)  
 - VERIFY SEALANT AND WINDOW FLASHING CHEMICAL COMPATIBILITY AND ADHESION

INSTALL WINDOW PER WINDOW MANUFACTURER INSTRUCTIONS



**5** AIR AND WATERTIGHT SEAL AT WINDOW

**NOTES**

1. DETAIL SHOWS HENRY **AIR-BLOC ALL WEATHER STPE VAPOR PERMEABLE AIR BARRIER**. SUBSTRATE SHOWN IS FOR REFERENCE ONLY. REFER TO PRODUCT SPECIFIC TECHNICAL DATA SHEET FOR ACCEPTABLE SUBSTRATES.
2. DETAIL SET STPE-5A.4 INCLUDES 3 PAGES OF GUIDELINES FOR FLASHING INSTALLED AFTER THE AIR BARRIER.
3. REFER TO PRODUCT SPECIFIC TECHNICAL DATA SHEET, APPLICATION GUIDE, AND GUIDE SPECIFICATION.



**HENRY AIR-BLOC ALL WEATHER STPE**  
**NON-FLANGED WINDOW**  
 ROUGH OPENING FLASHING AFTER WRB  
 HENRY LIQUID-APPLIED FLASHING

**PROJECT NAME**

02-01-2024

**STPE-5A.4**

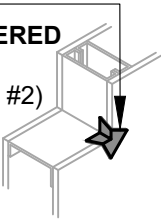
THIS DETAIL IS INTENDED AS AN INSTALLATION GUIDE AND IS NOT TO SCALE. PROJECT NAME IS FOR SUBMITTAL PURPOSES ONLY. HENRY DOES NOT ASSUME RESPONSIBILITY FOR ERRORS OR DEVIATIONS IN DESIGN OR ENGINEERING. VERIFY PROJECT SPECIFIC SUITABILITY PRIOR TO INSTALLATION.

**OPTION #1**  
GUSSET

**OPTION #2**  
SEALANT

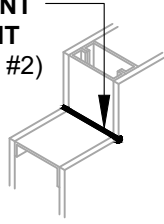
HENRY  
SELF-ADHERED  
FLASHING  
(SEE NOTE #2)

1



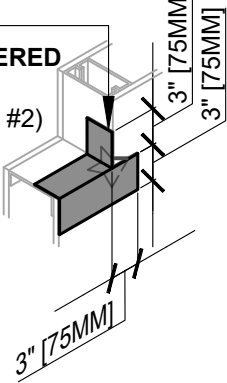
HENRY JOINT  
TREATMENT  
(SEE NOTE #2)

1



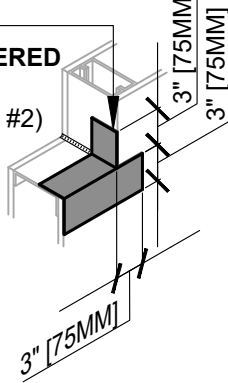
HENRY  
SELF-ADHERED  
FLASHING  
(SEE NOTE #2)

2



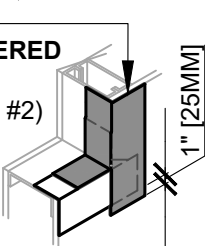
HENRY  
SELF-ADHERED  
FLASHING  
(SEE NOTE #2)

2



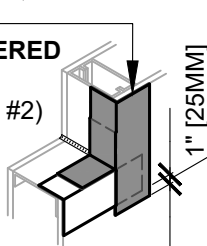
HENRY  
SELF-ADHERED  
FLASHING  
(SEE NOTE #2)

3



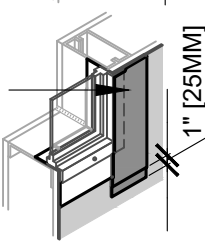
HENRY  
SELF-ADHERED  
FLASHING  
(SEE NOTE #2)

3



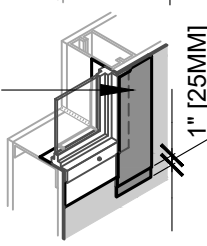
BLUESKIN  
BUTYL  
FLASH

4



BLUESKIN  
BUTYL  
FLASH

4



**SELF-ADHERED FLASHING**  
ISOMETRIC VIEW

AIR-BLOC ALL  
WEATHER STPE  
HENRY TERMINATION  
SEALANT

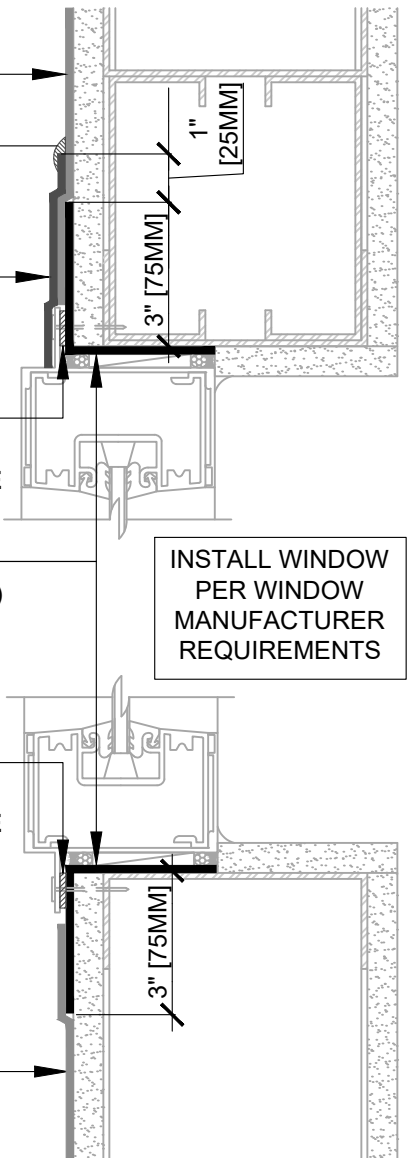
BLUESKIN BUTYL  
FLASH (SEE NOTE #2)

SET WINDOW FLANGE  
INTO A BED OF  
HENRY WINDOW FLANGE  
SEALANT (SEE NOTE #2)

HENRY SELF-ADHERED  
FLASHING (SEE NOTE #2)  
EXTEND FLASHING INTO  
ROUGH OPENING  
(VERIFY DEPTH TO SEAL  
AT WINDOW)

SET WINDOW FLANGE  
INTO A BED OF  
HENRY WINDOW FLANGE  
SEALANT (SEE NOTE #2)  
(APPLY INTERMITTENTLY  
ON SILL FLANGE WHERE  
REQUIRED TO ALLOW  
DRAINAGE)

AIR-BLOC ALL  
WEATHER STPE



**FLASHING INSTALLED BEFORE WRB**  
SECTION VIEW

**NOTES**

1. DETAIL SHOWS HENRY AIR-BLOC ALL WEATHER STPE VAPOR PERMEABLE AIR BARRIER. SUBSTRATE SHOWN IS FOR REFERENCE ONLY. REFER TO PRODUCT SPECIFIC TECHNICAL DATA SHEET FOR ACCEPTABLE SUBSTRATES.
2. DETAIL SET STPE-5B.1 INCLUDES 3 PAGES OF GUIDELINES FOR FLASHING INSTALLED BEFORE THE AIR BARRIER. REFER TO DETAIL STPE-2B.1 FOR AIR BARRIER TRANSITION GUIDELINES.
3. REFER TO DETAIL STPE-0A.1 FOR SYSTEM COMPONENTS. PRIMERS/ADHESIVES NOT SHOWN FOR CLARITY. REFER TO PRODUCT SPECIFIC TECHNICAL DATA SHEET FOR PRIMER/ADHESIVE RECOMMENDATIONS.
4. ACTUAL CONDITIONS MAY VARY. VERIFY PROJECT SPECIFIC REQUIREMENTS WITH DESIGN PROFESSIONAL AND WINDOW MANUFACTURER.
5. INSULATION, CLADDING, AND OPTIONAL INTERIOR VAPOR BARRIER NOT SHOWN FOR CLARITY. REFER TO LOCAL CODE ORDINANCES FOR INSULATION AND VAPOR BARRIER REQUIREMENTS.
6. REFER TO PRODUCT SPECIFIC TECHNICAL DATA SHEET, APPLICATION GUIDE, AND GUIDE SPECIFICATION FOR INSTALLATION PROCEDURES.



**HENRY AIR-BLOC ALL WEATHER STPE**

**FLANGED WINDOW**

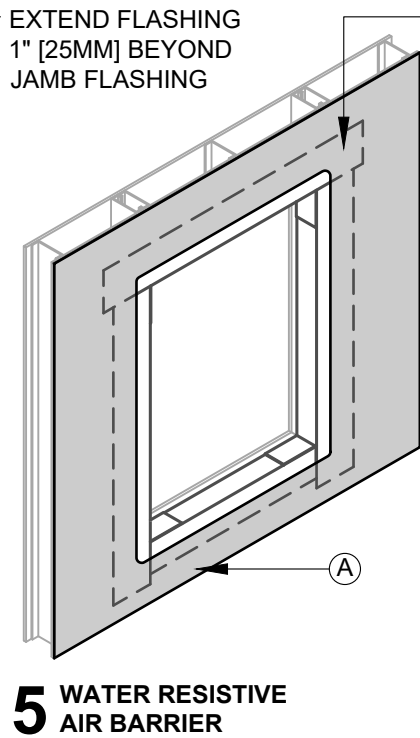
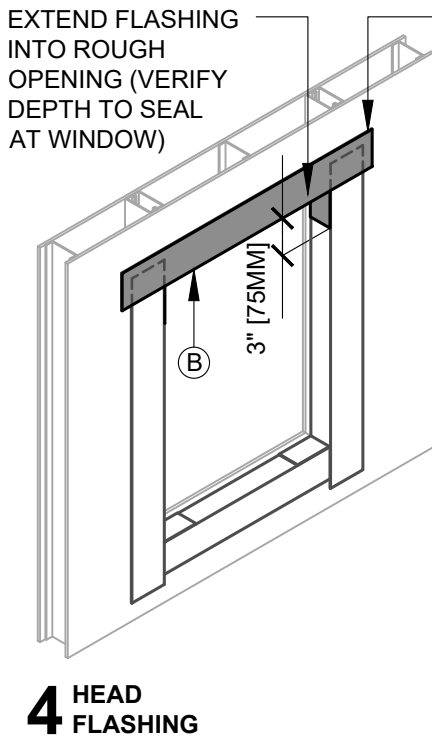
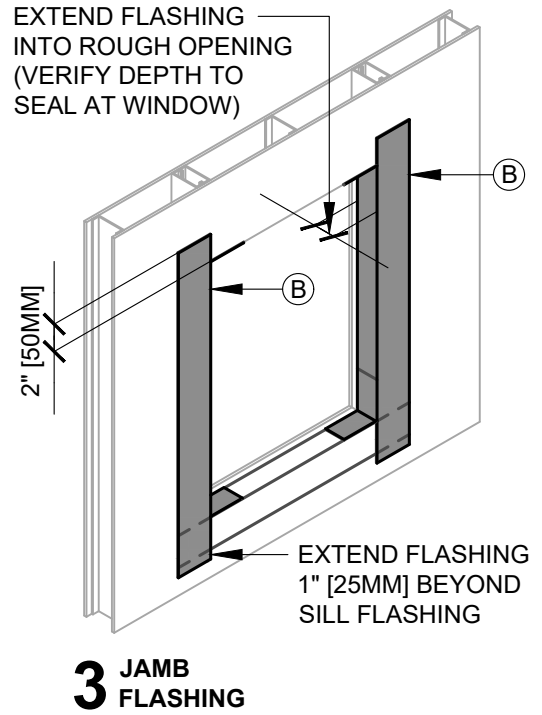
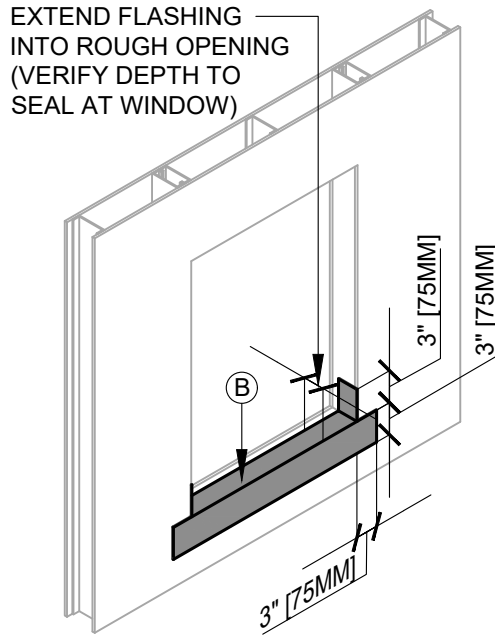
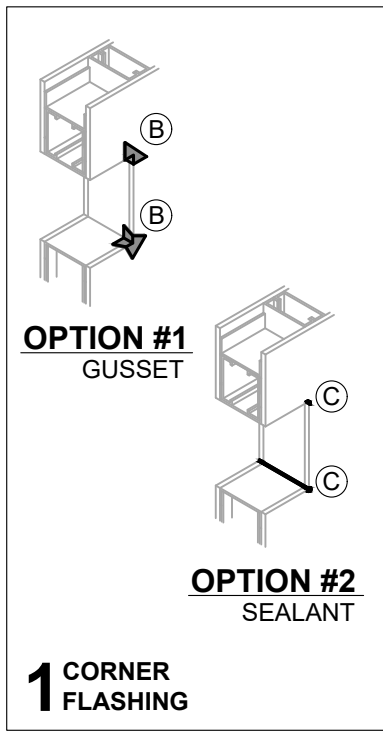
ROUGH OPENING FLASHING BEFORE WRB  
HENRY SELF-ADHERED FLASHING

PROJECT NAME

02-01-2024

STPE-5B.1

THIS DETAIL IS INTENDED AS AN INSTALLATION GUIDE AND IS NOT TO SCALE. PROJECT NAME IS FOR SUBMITTAL PURPOSES ONLY. HENRY DOES NOT ASSUME RESPONSIBILITY FOR ERRORS OR DEVIATIONS IN DESIGN OR ENGINEERING. VERIFY PROJECT SPECIFIC SUITABILITY PRIOR TO INSTALLATION.



APPLY AIR BARRIER IN ACCORDANCE WITH PRODUCT SPECIFIC TECHNICAL DATA SHEET

**Henry** WEATHER RESISTIVE AIR BARRIER (WRB) ASSEMBLY  
A CARLISLE COMPANY

**HENRY WEATHER RESISTIVE AIR BARRIER**

(A) AIR-BLOC ALL WEATHER STPE

**AUXILIARY MATERIALS**  
(SEE DETAIL STPE-0A.1 FOR HENRY SYSTEM COMPONENTS)

- (B) HENRY SELF-ADHERED FLASHING (REFER TO DETAIL STPE-2B.1 FOR AIR BARRIER TRANSITION GUIDELINES)
- (C) HENRY JOINT TREATMENT AND TERMINATION SEALANT
- (D) HENRY WINDOW FLANGE SEALANT
- (E) AIR AND WATERTIGHT SEAL BY OTHERS
- (F) BLUESKIN BUTYL FLASH (PREPARE SURFACES WITH HENRY AQUATAC PRIMER)

**NOTES**

1. DETAIL SHOWS HENRY AIR-BLOC ALL WEATHER STPE VAPOR PERMEABLE AIR BARRIER. SUBSTRATE SHOWN IS FOR REFERENCE ONLY. REFER TO PRODUCT SPECIFIC TECHNICAL DATA SHEET FOR ACCEPTABLE SUBSTRATES.
2. DETAIL SET STPE-5B.1 INCLUDES 3 PAGES OF GUIDELINES FOR FLASHING INSTALLED BEFORE THE AIR BARRIER.
3. REFER TO PRODUCT SPECIFIC TECHNICAL DATA SHEET, APPLICATION GUIDE, AND GUIDE SPECIFICATION.



**HENRY AIR-BLOC ALL WEATHER STPE**

**FLANGED WINDOW**

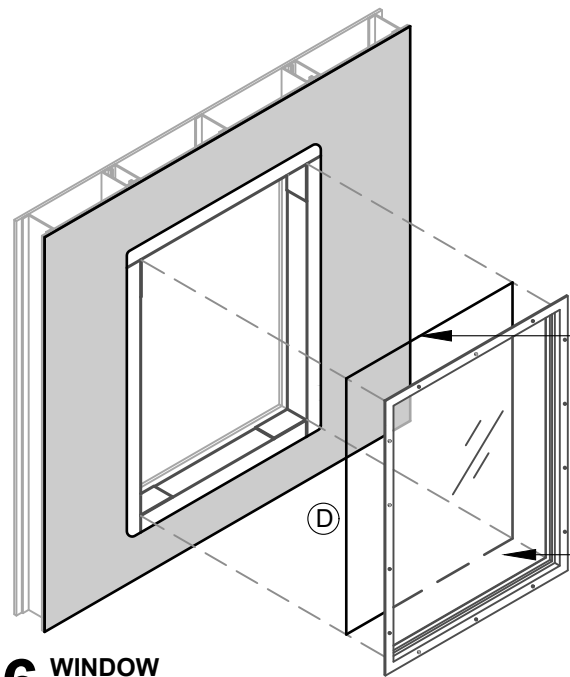
ROUGH OPENING FLASHING BEFORE WRB  
HENRY SELF-ADHERED FLASHING

PROJECT NAME

02-01-2024

STPE-5B.1

THIS DETAIL IS INTENDED AS AN INSTALLATION GUIDE AND IS NOT TO SCALE. PROJECT NAME IS FOR SUBMITTAL PURPOSES ONLY. HENRY DOES NOT ASSUME RESPONSIBILITY FOR ERRORS OR DEVIATIONS IN DESIGN OR ENGINEERING. VERIFY PROJECT SPECIFIC SUITABILITY PRIOR TO INSTALLATION.

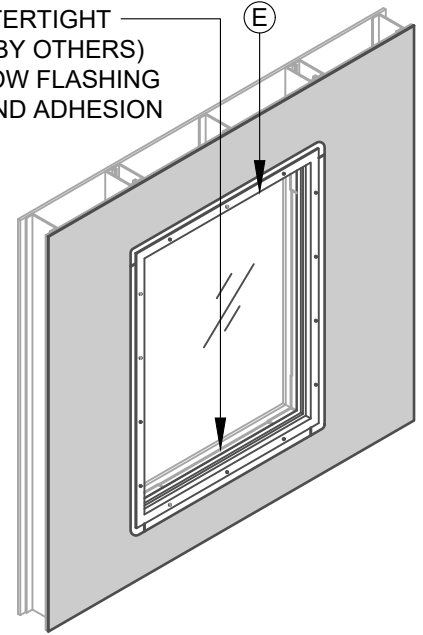


**6 WINDOW INSTALLATION**

INSTALL INTERIOR AIR AND WATERTIGHT SEAL AT WINDOW PERIMETER (BY OTHERS)  
- VERIFY SEALANT AND WINDOW FLASHING CHEMICAL COMPATIBILITY AND ADHESION

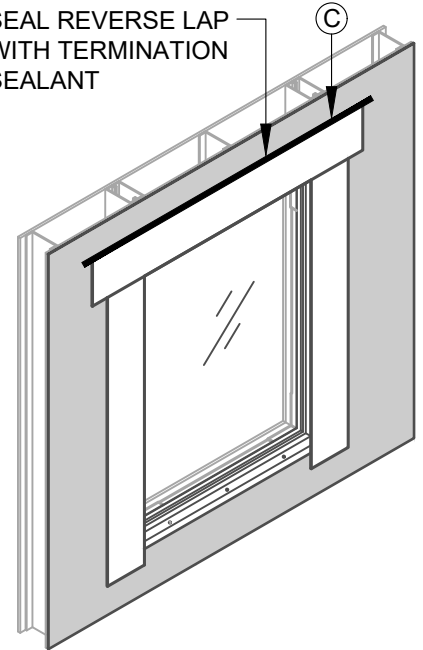
SET WINDOW FLANGE INTO A BED OF HENRY WINDOW FLANGE SEALANT (APPLY INTERMITTENTLY ON SILL FLANGE AS REQUIRED PER WINDOW MANUFACTURER)

INSTALL WINDOW PER WINDOW MANUFACTURER INSTRUCTIONS

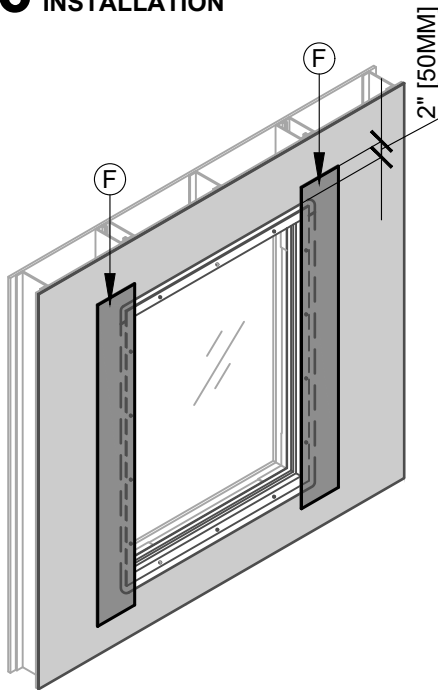


**7 INTERIOR AIR AND WATERTIGHT SEAL**

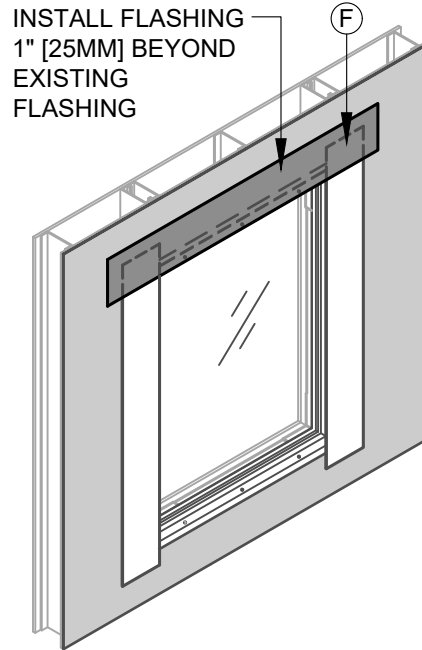
SEAL REVERSE LAP WITH TERMINATION SEALANT



**10 TERMINATION SEALANT**



**8 FLANGED WINDOW JAMB**



**9 FLANGED WINDOW HEAD**

INSTALL FLASHING 1" [25MM] BEYOND EXISTING FLASHING

**NOTES**

1. DETAIL SHOWS HENRY **AIR-BLOC ALL WEATHER STPE VAPOR PERMEABLE AIR BARRIER**. SUBSTRATE SHOWN IS FOR REFERENCE ONLY. REFER TO PRODUCT SPECIFIC TECHNICAL DATA SHEET FOR ACCEPTABLE SUBSTRATES.
2. DETAIL SET STPE-5B.1 INCLUDES 3 PAGES OF GUIDELINES FOR FLASHING INSTALLED BEFORE THE AIR BARRIER.
3. REFER TO PRODUCT SPECIFIC TECHNICAL DATA SHEET, APPLICATION GUIDE, AND GUIDE SPECIFICATION.



**HENRY AIR-BLOC ALL WEATHER STPE**

**FLANGED WINDOW**

ROUGH OPENING FLASHING BEFORE WRB  
HENRY SELF-ADHERED FLASHING

PROJECT NAME

02-01-2024

STPE-5B.1

THIS DETAIL IS INTENDED AS AN INSTALLATION GUIDE AND IS NOT TO SCALE. PROJECT NAME IS FOR SUBMITTAL PURPOSES ONLY. HENRY DOES NOT ASSUME RESPONSIBILITY FOR ERRORS OR DEVIATIONS IN DESIGN OR ENGINEERING. VERIFY PROJECT SPECIFIC SUITABILITY PRIOR TO INSTALLATION.



### OPTION #1

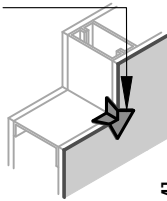
GUSSET

### OPTION #2

SEALANT

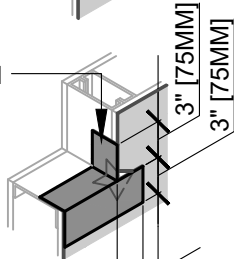
BLUESKIN BUTYL FLASH

1



BLUESKIN BUTYL FLASH

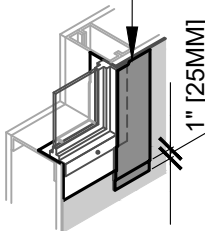
2



3

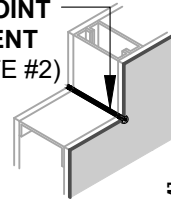
BLUESKIN BUTYL FLASH

4



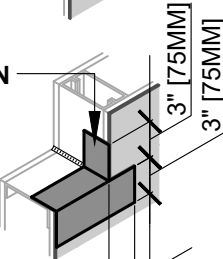
HENRY JOINT TREATMENT (SEE NOTE #2)

1



BLUESKIN BUTYL FLASH

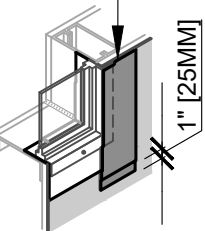
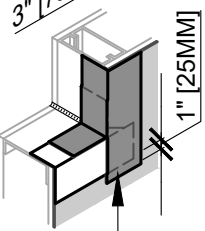
2



3

BLUESKIN BUTYL FLASH

4



### BLUESKIN BUTYL FLASH

ISOMETRIC VIEW

AIR-BLOC ALL WEATHER STEPE

HENRY TERMINATION SEALANT (SEE NOTE #2)

BLUESKIN BUTYL FLASH

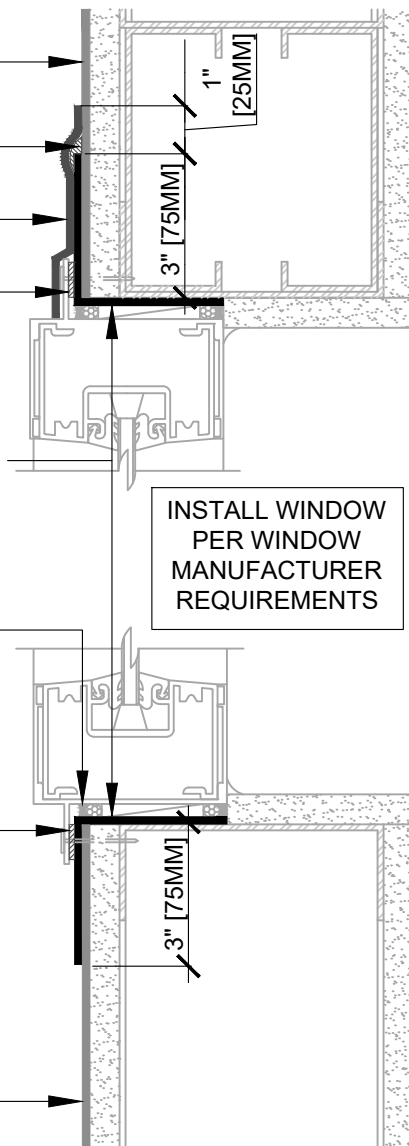
SET WINDOW FLANGE INTO A BED OF HENRY WINDOW FLANGE SEALANT (SEE NOTE #2)

BLUESKIN BUTYL FLASH EXTEND FLASHING INTO ROUGH OPENING (VERIFY DEPTH TO SEAL AT WINDOW)

WINDOW SEALANT BY OTHERS - VERIFY SEALANT AND WINDOW FLASHING CHEMICAL COMPATIBILITY AND ADHESION

SET WINDOW FLANGE INTO A BED OF HENRY WINDOW FLANGE SEALANT (SEE NOTE #2) (APPLY INTERMITTENTLY ON SILL FLANGE WHERE REQUIRED TO ALLOW DRAINAGE)

AIR-BLOC ALL WEATHER STEPE



### FLASHING INSTALLED BEFORE WRB

SECTION VIEW

#### NOTES

1. DETAIL SHOWS HENRY AIR-BLOC ALL WEATHER STEPE VAPOR PERMEABLE AIR BARRIER. SUBSTRATE SHOWN IS FOR REFERENCE ONLY. REFER TO PRODUCT SPECIFIC TECHNICAL DATA SHEET FOR ACCEPTABLE SUBSTRATES.
2. DETAIL SET STEPE-5B.2 INCLUDES 4 PAGES OF GUIDELINES FOR FLASHING INSTALLED AFTER THE AIR BARRIER. REFER TO DETAIL STEPE-2B.2 FOR AIR BARRIER TRANSITION GUIDELINES.
3. REFER TO DETAIL STEPE-0A.1 FOR SYSTEM COMPONENTS. PRIMERS/ADHESIVES NOT SHOWN FOR CLARITY. REFER TO PRODUCT SPECIFIC TECHNICAL DATA SHEET FOR PRIMER/ADHESIVE RECOMMENDATIONS.
4. PREPARE SURFACES WITH HENRY AQUATAC PRIMER PRIOR TO BLUESKIN BUTYL FLASH INSTALLATION.
5. ACTUAL CONDITIONS MAY VARY. VERIFY PROJECT SPECIFIC REQUIREMENTS WITH DESIGN PROFESSIONAL AND WINDOW MANUFACTURER.
6. INSULATION, CLADDING, AND OPTIONAL INTERIOR VAPOR BARRIER NOT SHOWN FOR CLARITY. REFER TO LOCAL CODE ORDINANCES FOR INSULATION AND VAPOR BARRIER REQUIREMENTS.
7. REFER TO PRODUCT SPECIFIC TECHNICAL DATA SHEET, APPLICATION GUIDE, AND GUIDE SPECIFICATION FOR INSTALLATION PROCEDURES.



HENRY AIR-BLOC ALL WEATHER STEPE

## FLANGED WINDOW

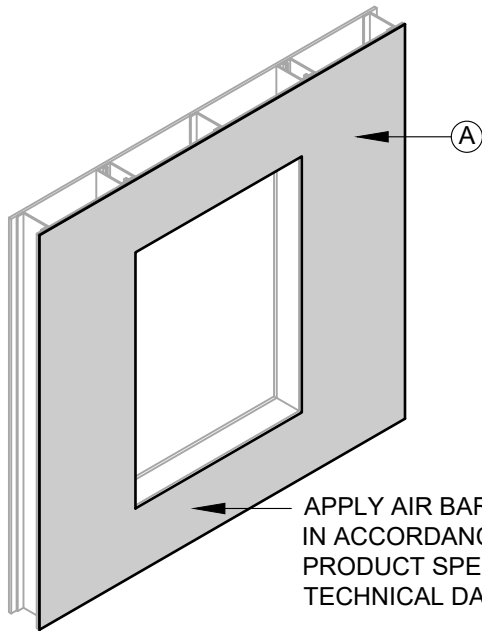
ROUGH OPENING FLASHING AFTER WRB  
HENRY SELF-ADHERED FLASHING

PROJECT NAME

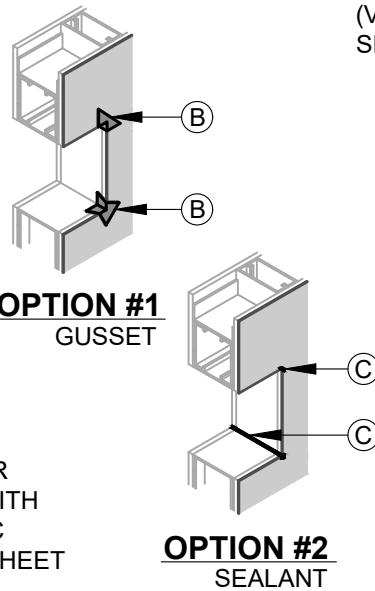
02-01-2024

STPE-5B.2

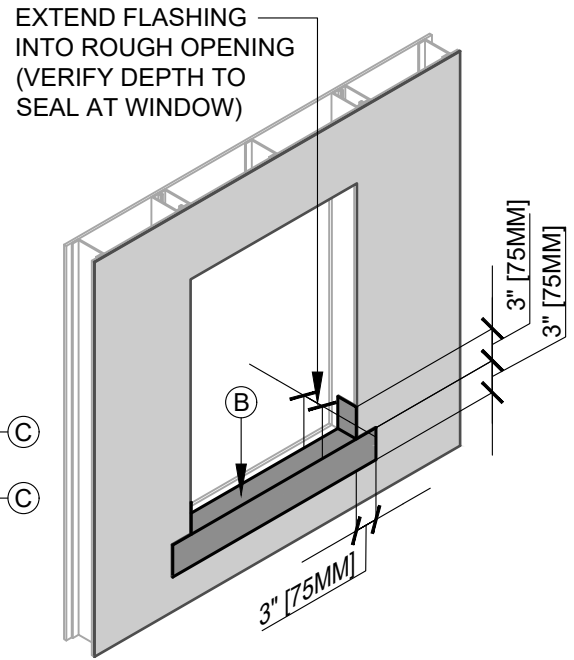
THIS DETAIL IS INTENDED AS AN INSTALLATION GUIDE AND IS NOT TO SCALE. PROJECT NAME IS FOR SUBMITTAL PURPOSES ONLY. HENRY DOES NOT ASSUME RESPONSIBILITY FOR ERRORS OR DEVIATIONS IN DESIGN OR ENGINEERING. VERIFY PROJECT SPECIFIC SUITABILITY PRIOR TO INSTALLATION.



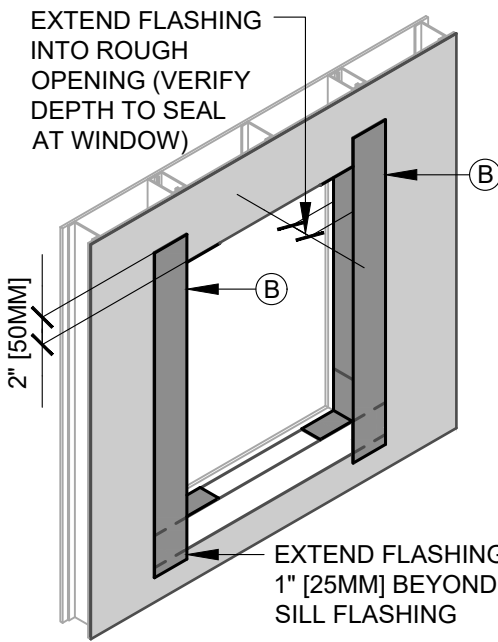
**1 WATER RESISTIVE AIR BARRIER**



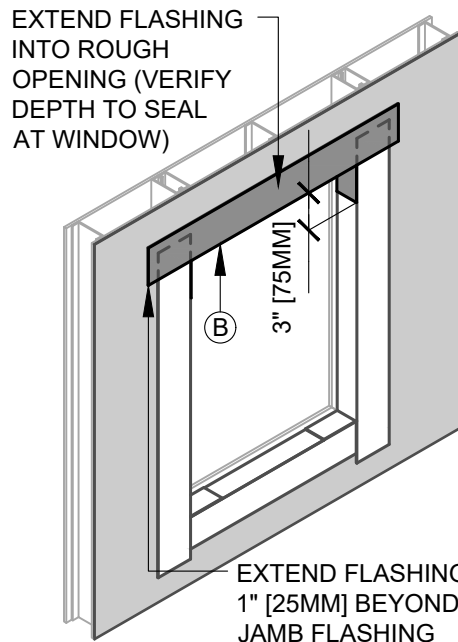
**2 CORNER FLASHING**



**3 SILL FLASHING**



**4 JAMB FLASHING**



**5 HEAD FLASHING**

**Henry** WEATHER RESISTIVE AIR BARRIER (WRB) ASSEMBLY  
A CARLISLE COMPANY

<b>HENRY WEATHER RESISTIVE AIR BARRIER</b>	
<b>(A) AIR-BLOC ALL WEATHER STPE</b>	
<b>AUXILIARY MATERIALS</b> (SEE DETAIL STPE-0A.1 FOR HENRY SYSTEM COMPONENTS)	
<b>(B)</b>	<b>BLUESKIN BUTYL FLASH</b> PREPARE SURFACES WITH HENRY <b>AQUATAC PRIMER</b> (REFER TO DETAIL STPE-2B.2 FOR AIR BARRIER TRANSITION GUIDELINES)
<b>(C)</b>	<b>HENRY JOINT TREATMENT AND TERMINATION SEALANT</b>
<b>(D)</b>	<b>HENRY WINDOW FLANGE SEALANT</b>
<b>(E)</b>	<b>AIR AND WATERTIGHT SEAL BY OTHERS</b>

**NOTES**

1. DETAIL SHOWS HENRY **AIR-BLOC ALL WEATHER STPE VAPOR PERMEABLE AIR BARRIER**. SUBSTRATE SHOWN IS FOR REFERENCE ONLY. REFER TO PRODUCT SPECIFIC TECHNICAL DATA SHEET FOR ACCEPTABLE SUBSTRATES.
2. DETAIL SET STPE-5B.2 INCLUDES 4 PAGES OF GUIDELINES FOR FLASHING INSTALLED AFTER THE AIR BARRIER.
3. REFER TO PRODUCT SPECIFIC TECHNICAL DATA SHEET, APPLICATION GUIDE, AND GUIDE SPECIFICATION.



**HENRY AIR-BLOC ALL WEATHER STPE**

**FLANGED WINDOW**

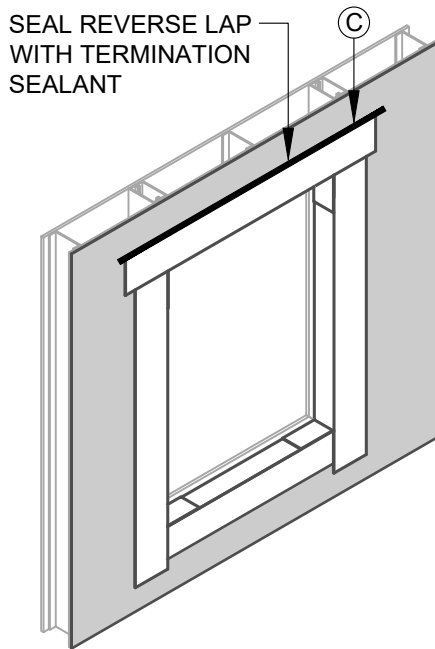
ROUGH OPENING FLASHING AFTER WRB  
HENRY SELF-ADHERED FLASHING

PROJECT NAME

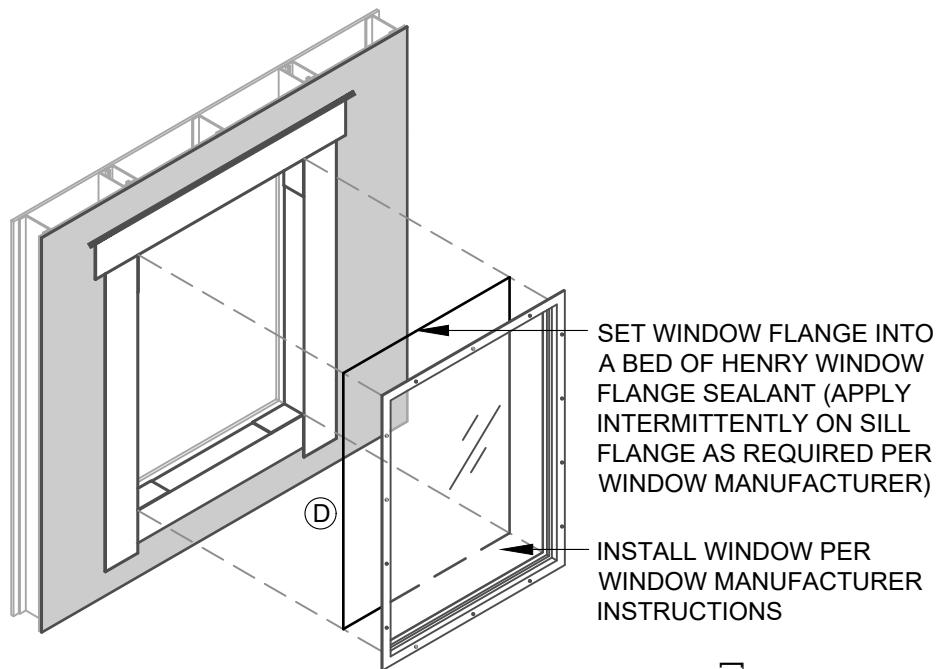
02-01-2024

STPE-5B.2

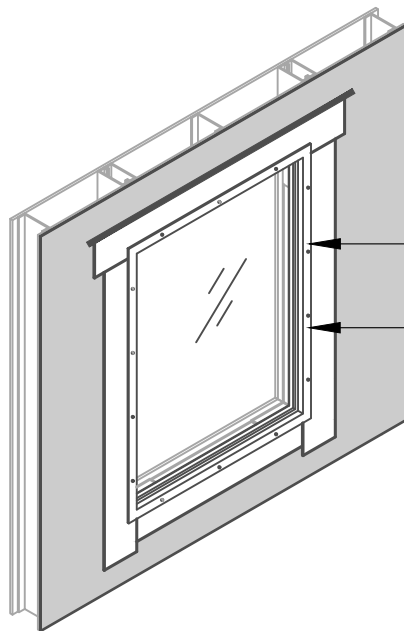
THIS DETAIL IS INTENDED AS AN INSTALLATION GUIDE AND IS NOT TO SCALE. PROJECT NAME IS FOR SUBMITTAL PURPOSES ONLY. HENRY DOES NOT ASSUME RESPONSIBILITY FOR ERRORS OR DEVIATIONS IN DESIGN OR ENGINEERING. VERIFY PROJECT SPECIFIC SUITABILITY PRIOR TO INSTALLATION.



**6** TERMINATION SEALANT

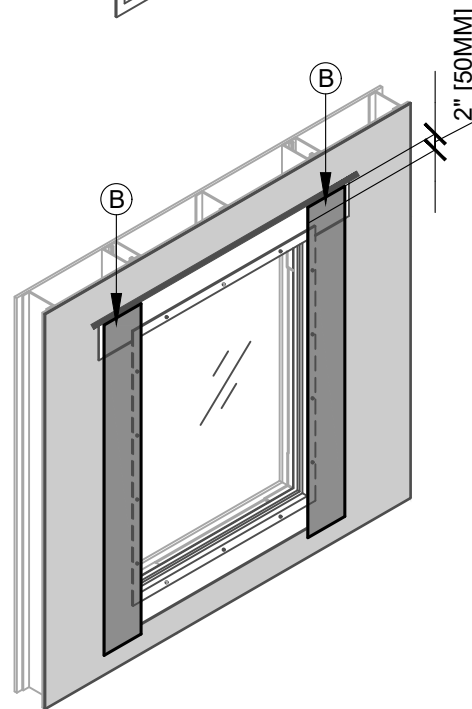


**7** WINDOW INSTALLATION



**8** AIR AND WATERTIGHT SEAL AT WINDOW

INSTALL AIR AND WATERTIGHT SEAL AT WINDOW PERIMETER (BY OTHERS)  
- VERIFY SEALANT AND WINDOW FLASHING CHEMICAL COMPATIBILITY AND ADHESION



**9** FLANGED WINDOW JAMB

**NOTES**

1. DETAIL SHOWS HENRY **AIR-BLOC ALL WEATHER STPE VAPOR PERMEABLE AIR BARRIER**. SUBSTRATE SHOWN IS FOR REFERENCE ONLY. REFER TO PRODUCT SPECIFIC TECHNICAL DATA SHEET FOR ACCEPTABLE SUBSTRATES.
2. DETAIL SET STPE-5B.2 INCLUDES 4 PAGES OF GUIDELINES FOR FLASHING INSTALLED AFTER THE AIR BARRIER.
3. REFER TO PRODUCT SPECIFIC TECHNICAL DATA SHEET, APPLICATION GUIDE, AND GUIDE SPECIFICATION.



**HENRY AIR-BLOC ALL WEATHER STPE**

**FLANGED WINDOW**

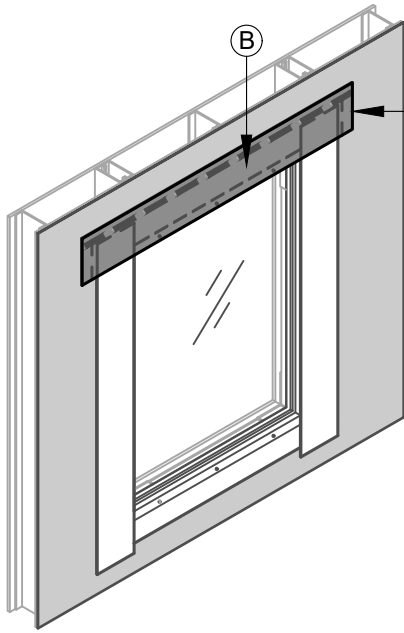
ROUGH OPENING FLASHING AFTER WRB  
HENRY SELF-ADHERED FLASHING

PROJECT NAME

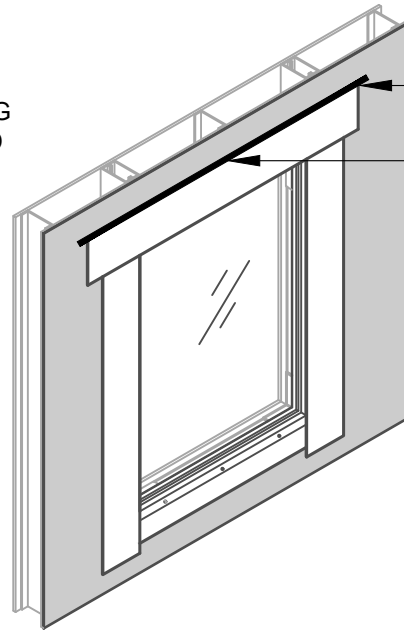
02-01-2024

STPE-5B.2

THIS DETAIL IS INTENDED AS AN INSTALLATION GUIDE AND IS NOT TO SCALE. PROJECT NAME IS FOR SUBMITTAL PURPOSES ONLY. HENRY DOES NOT ASSUME RESPONSIBILITY FOR ERRORS OR DEVIATIONS IN DESIGN OR ENGINEERING. VERIFY PROJECT SPECIFIC SUITABILITY PRIOR TO INSTALLATION.



INSTALL FLASHING  
1" [25MM] BEYOND  
EXISTING  
FLASHING



SEAL REVERSE LAP  
WITH TERMINATION  
SEALANT

**10** FLANGED  
WINDOW HEAD

**11** TERMINATION  
SEALANT

**NOTES**

1. DETAIL SHOWS HENRY **AIR-BLOC ALL WEATHER STPE VAPOR PERMEABLE AIR BARRIER**. SUBSTRATE SHOWN IS FOR REFERENCE ONLY. REFER TO PRODUCT SPECIFIC TECHNICAL DATA SHEET FOR ACCEPTABLE SUBSTRATES.
2. DETAIL SET STPE-5B.2 INCLUDES 4 PAGES OF GUIDELINES FOR FLASHING INSTALLED AFTER THE AIR BARRIER.
3. REFER TO PRODUCT SPECIFIC TECHNICAL DATA SHEET, APPLICATION GUIDE, AND GUIDE SPECIFICATION.



**HENRY AIR-BLOC ALL WEATHER STPE**

**FLANGED WINDOW**

ROUGH OPENING FLASHING AFTER WRB  
HENRY SELF-ADHERED FLASHING

**PROJECT NAME**

02-01-2024

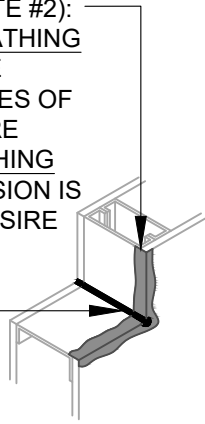
**STPE-5B.2**

THIS DETAIL IS INTENDED AS AN INSTALLATION GUIDE AND IS NOT TO SCALE. PROJECT NAME IS FOR SUBMITTAL PURPOSES ONLY. HENRY DOES NOT ASSUME RESPONSIBILITY FOR ERRORS OR DEVIATIONS IN DESIGN OR ENGINEERING. VERIFY PROJECT SPECIFIC SUITABILITY PRIOR TO INSTALLATION.

PRIMER (SEE NOTE #2):

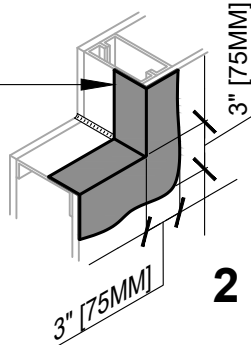
- GYPSUM SHEATHING ENCAPSULATE CUT/RAW EDGES OF EXPOSED CORE
- WOOD SHEATHING WHERE ADHESION IS LESS THAN DESIRE

HENRY JOINT TREATMENT (SEE NOTE #2)



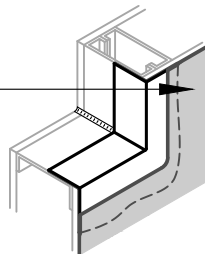
1

HENRY LIQUID-APPLIED FLASHING (SEE NOTE #2)



2

AIR-BLOC ALL WEATHER STPE



3

**LIQUID-APPLIED FLASHING**

ISOMETRIC VIEW

AIR-BLOC ALL WEATHER STPE

HENRY LIQUID-APPLIED FLASHING (SEE NOTE #2)

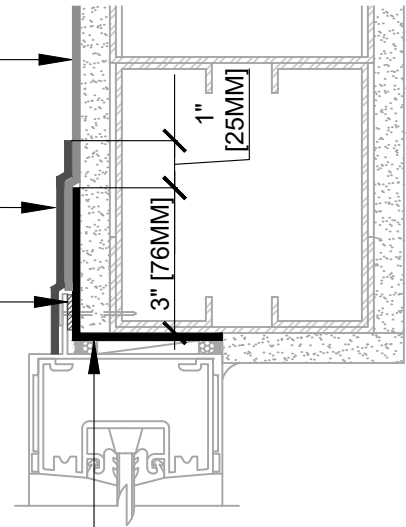
SET WINDOW FLANGE INTO A BED OF HENRY WINDOW FLANGE SEALANT (SEE NOTE #2)

HENRY LIQUID-APPLIED FLASHING (SEE NOTE #2) EXTEND FLASHING INTO ROUGH OPENING (VERIFY DEPTH TO SEAL AT WINDOW)

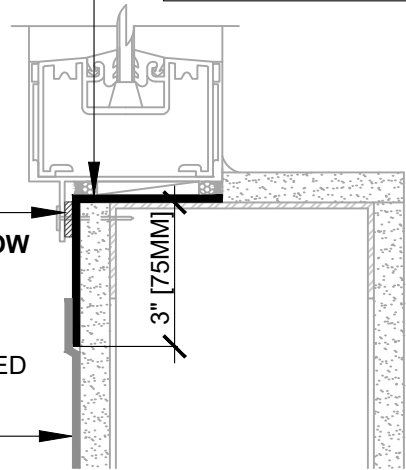
- GYPSUM SHEATHING 25 MILS MINIMUM
- WOOD SHEATHING 40 MILS MINIMUM

SET WINDOW FLANGE INTO A BED OF HENRY WINDOW FLANGE SEALANT (SEE NOTE #2) (APPLY INTERMITTENTLY ON SILL FLANGE WHERE REQUIRED TO ALLOW DRAINAGE)

AIR-BLOC ALL WEATHER STPE



INSTALL WINDOW PER WINDOW MANUFACTURER REQUIREMENTS



**FLASHING INSTALLED BEFORE WRB**

SECTION VIEW

**NOTES**

1. DETAIL SHOWS HENRY AIR-BLOC ALL WEATHER STPE VAPOR PERMEABLE AIR BARRIER. SUBSTRATE SHOWN IS FOR REFERENCE ONLY. REFER TO PRODUCT SPECIFIC TECHNICAL DATA SHEET FOR ACCEPTABLE SUBSTRATES.
2. DETAIL SET STPE-5B.3 INCLUDES 3 PAGES OF GUIDELINES FOR FLASHING INSTALLED BEFORE THE AIR BARRIER. REFER TO DETAIL STPE-2A.1 FOR AIR BARRIER TRANSITION GUIDELINES.
3. REFER TO DETAIL STPE-0A.1 FOR SYSTEM COMPONENTS. REFER TO PRODUCT SPECIFIC TECHNICAL DATA SHEET FOR PRIMER/ADHESIVE RECOMMENDATIONS.
4. ACTUAL CONDITIONS MAY VARY. VERIFY PROJECT SPECIFIC REQUIREMENTS WITH DESIGN PROFESSIONAL AND WINDOW MANUFACTURER.
5. INSULATION, CLADDING, AND OPTIONAL INTERIOR VAPOR BARRIER NOT SHOWN FOR CLARITY. REFER TO LOCAL CODE ORDINANCES FOR INSULATION AND VAPOR BARRIER REQUIREMENTS.
6. REFER TO PRODUCT SPECIFIC TECHNICAL DATA SHEET, APPLICATION GUIDE, AND GUIDE SPECIFICATION FOR INSTALLATION PROCEDURES.



HENRY AIR-BLOC ALL WEATHER STPE

**FLANGED WINDOW**

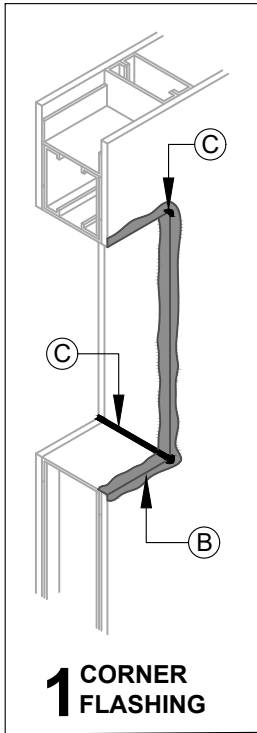
ROUGH OPENING FLASHING BEFORE WRB  
HENRY LIQUID-APPLIED FLASHING

PROJECT NAME

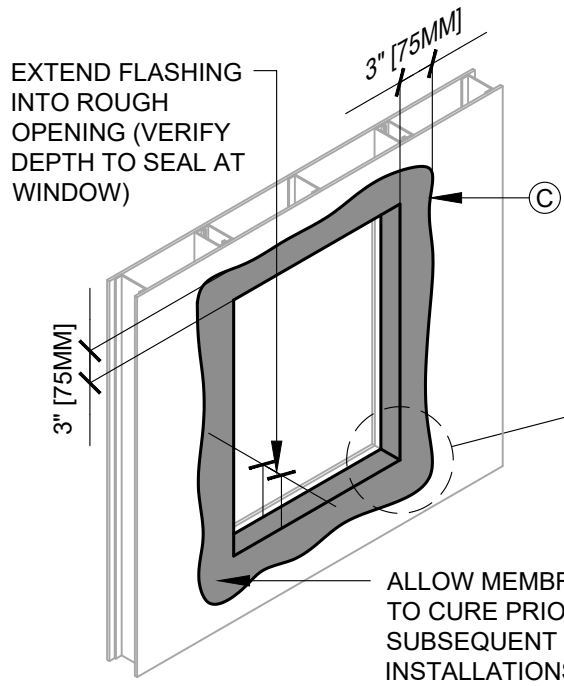
02-01-2024

STPE-5B.3

THIS DETAIL IS INTENDED AS AN INSTALLATION GUIDE AND IS NOT TO SCALE. PROJECT NAME IS FOR SUBMITTAL PURPOSES ONLY. HENRY DOES NOT ASSUME RESPONSIBILITY FOR ERRORS OR DEVIATIONS IN DESIGN OR ENGINEERING. VERIFY PROJECT SPECIFIC SUITABILITY PRIOR TO INSTALLATION.



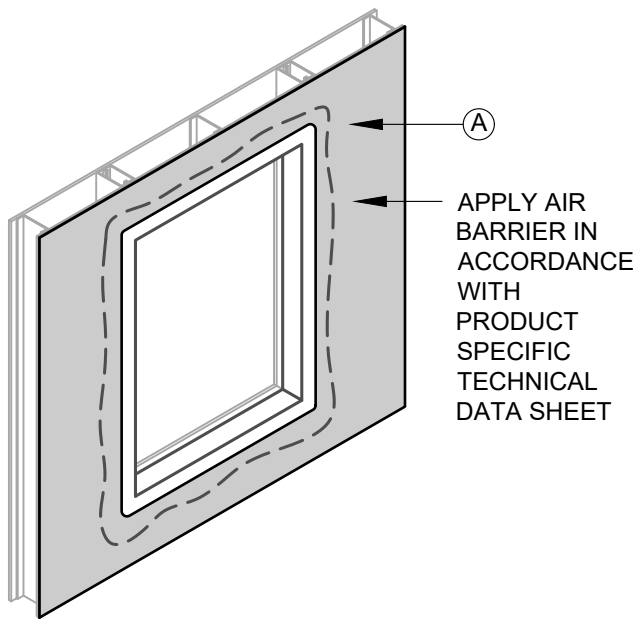
**1** CORNER FLASHING



**2** LIQUID-APPLIED FLASHING

**USE THIS METHOD FOR LIQUID-APPLIED FLASHINGS IN TUBES AND SAUSAGES:**

- PRIMER:
  - GYPSUM SHEATHING: ENCAPSULATE CUT/RAW EDGES OF EXPOSED CORE
  - WOOD SHEATHING: OPTIONAL
- INSTALL FLASHING IN A SERPENTINE PATTERN
- SPREAD FLASHING WITH A TROWEL, JOINT KNIFE, OR ROLLER



**3** WATER RESISTIVE AIR BARRIER

**Henry** WEATHER RESISTIVE AIR BARRIER (WRB) ASSEMBLY  
A CARLISLE COMPANY

HENRY WEATHER RESISTIVE AIR BARRIER	
(A)	<b>AIR-BLOC ALL WEATHER STPE</b>
AUXILIARY MATERIALS (SEE DETAIL STPE-0A.1 FOR HENRY SYSTEM COMPONENTS)	
(B)	<b>HENRY PRIMER/ADHESIVE</b> <ul style="list-style-type: none"> <li>GYPSUM SHEATHING ENCAPSULATE CUT/RAW EDGES OF EXPOSED CORE</li> <li>WOOD SHEATHING INSTALL WHERE ADHESION IS LESS THAN DESIRED</li> </ul>
(C)	<b>HENRY LIQUID-APPLIED FLASHING</b> (REFER TO DETAIL STPE-2A.1 FOR AIR BARRIER TRANSITION GUIDELINES) <ul style="list-style-type: none"> <li>GYPSUM SHEATHING 25 MILS MINIMUM</li> <li>WOOD SHEATHING 40 MILS MINIMUM</li> </ul>
(D)	<b>HENRY WINDOW FLANGE SEALANT</b>
(E)	<b>AIR AND WATERTIGHT SEAL BY OTHERS</b>

**NOTES**

- DETAIL SHOWS HENRY **AIR-BLOC ALL WEATHER STPE VAPOR PERMEABLE AIR BARRIER**. SUBSTRATE SHOWN IS FOR REFERENCE ONLY. REFER TO PRODUCT SPECIFIC TECHNICAL DATA SHEET FOR ACCEPTABLE SUBSTRATES.
- DETAIL SET STPE-5B.3 INCLUDES 3 PAGES OF GUIDELINES FOR FLASHING INSTALLED BEFORE THE AIR BARRIER.
- REFER TO PRODUCT SPECIFIC TECHNICAL DATA SHEET, APPLICATION GUIDE, AND GUIDE SPECIFICATION.



**HENRY AIR-BLOC ALL WEATHER STPE**

**FLANGED WINDOW**

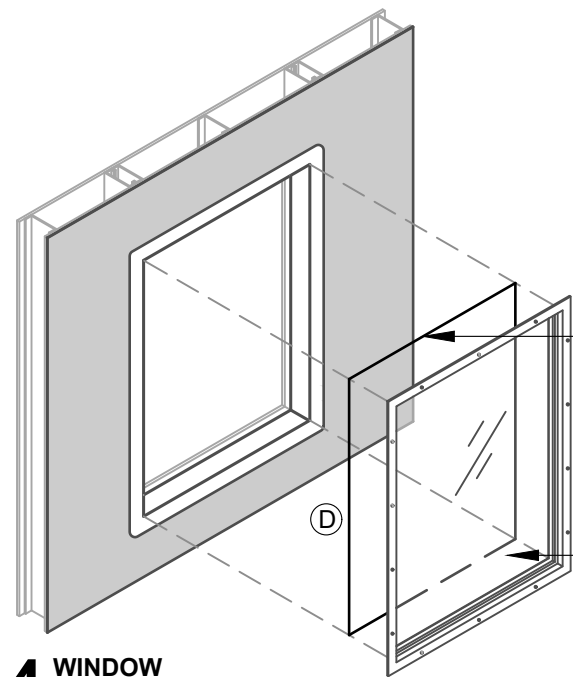
ROUGH OPENING FLASHING BEFORE WRB  
 HENRY LIQUID-APPLIED FLASHING

PROJECT NAME

02-01-2024

**STPE-5B.3**

THIS DETAIL IS INTENDED AS AN INSTALLATION GUIDE AND IS NOT TO SCALE. PROJECT NAME IS FOR SUBMITTAL PURPOSES ONLY. HENRY DOES NOT ASSUME RESPONSIBILITY FOR ERRORS OR DEVIATIONS IN DESIGN OR ENGINEERING. VERIFY PROJECT SPECIFIC SUITABILITY PRIOR TO INSTALLATION.

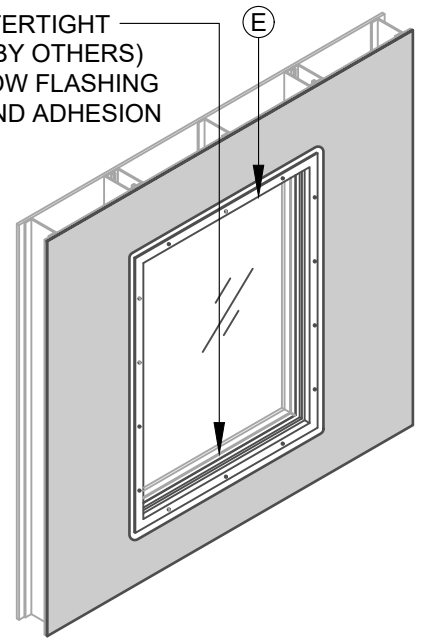


**4 WINDOW INSTALLATION**

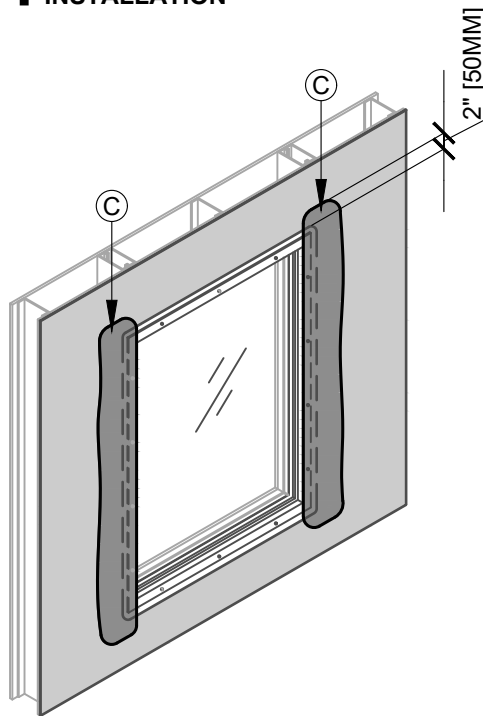
INSTALL INTERIOR AIR AND WATERTIGHT SEAL AT WINDOW PERIMETER (BY OTHERS)  
 - VERIFY SEALANT AND WINDOW FLASHING CHEMICAL COMPATIBILITY AND ADHESION

SET WINDOW FLANGE INTO A BED OF HENRY WINDOW FLANGE SEALANT (APPLY INTERMITTENTLY ON SILL FLANGE AS REQUIRED PER WINDOW MANUFACTURER)

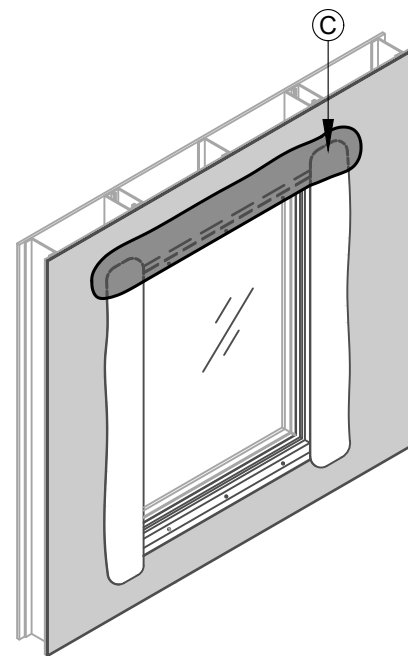
INSTALL WINDOW PER WINDOW MANUFACTURER INSTRUCTIONS



**5 INTERIOR AIR AND WATERTIGHT SEAL**



**6 FLANGED WINDOW JAMB**



**7 FLANGED WINDOW HEAD**

**NOTES**

1. DETAIL SHOWS HENRY **AIR-BLOC ALL WEATHER STPE VAPOR PERMEABLE AIR BARRIER**. SUBSTRATE SHOWN IS FOR REFERENCE ONLY. REFER TO PRODUCT SPECIFIC TECHNICAL DATA SHEET FOR ACCEPTABLE SUBSTRATES.
2. DETAIL SET STPE-5B.3 INCLUDES 3 PAGES OF GUIDELINES FOR FLASHING INSTALLED BEFORE THE AIR BARRIER.
3. REFER TO PRODUCT SPECIFIC TECHNICAL DATA SHEET, APPLICATION GUIDE, AND GUIDE SPECIFICATION.



**HENRY AIR-BLOC ALL WEATHER STPE**

**FLANGED WINDOW**

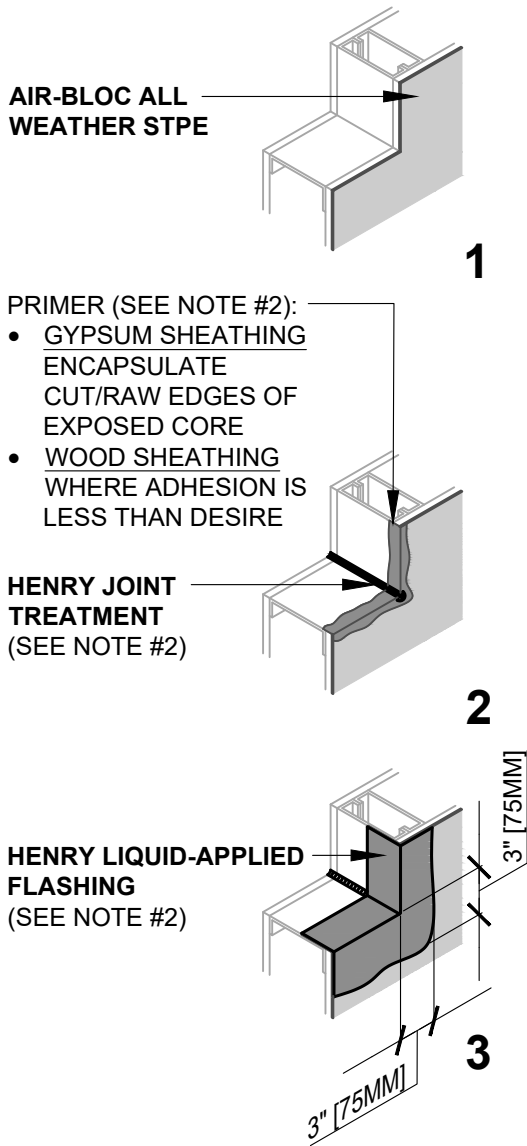
ROUGH OPENING FLASHING BEFORE WRB  
 HENRY LIQUID-APPLIED FLASHING

PROJECT NAME

02-01-2024

**STPE-5B.3**

THIS DETAIL IS INTENDED AS AN INSTALLATION GUIDE AND IS NOT TO SCALE. PROJECT NAME IS FOR SUBMITTAL PURPOSES ONLY. HENRY DOES NOT ASSUME RESPONSIBILITY FOR ERRORS OR DEVIATIONS IN DESIGN OR ENGINEERING. VERIFY PROJECT SPECIFIC SUITABILITY PRIOR TO INSTALLATION.



**AIR-BLOC ALL WEATHER STPE**

**HENRY LIQUID-APPLIED FLASHING (SEE NOTE #2)**

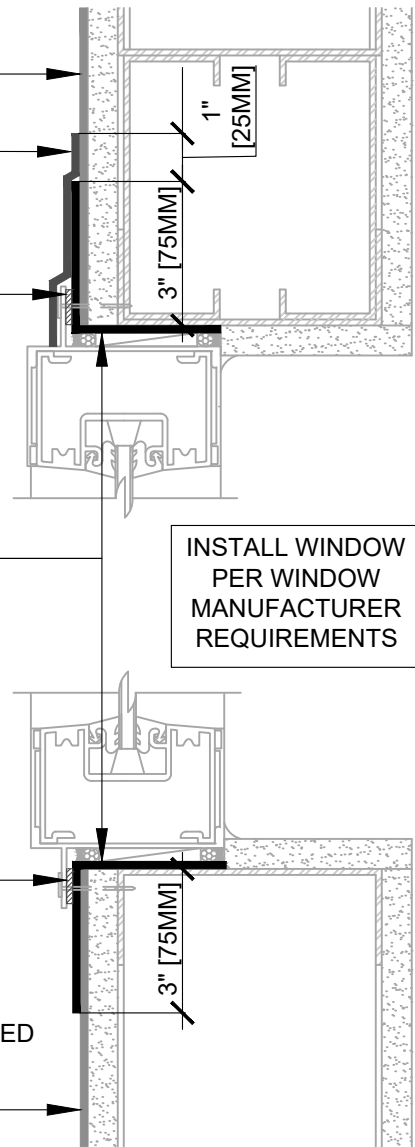
**SET WINDOW FLANGE INTO A BED OF HENRY WINDOW FLANGE SEALANT (SEE NOTE #2)**

**HENRY LIQUID-APPLIED FLASHING (SEE NOTE #2) EXTEND FLASHING INTO ROUGH OPENING (VERIFY DEPTH TO SEAL AT WINDOW)**

- **GYPSUM SHEATHING**  
25 MILS MINIMUM
- **WOOD SHEATHING**  
40 MILS MINIMUM

**SET WINDOW FLANGE INTO A BED OF HENRY WINDOW FLANGE SEALANT (SEE NOTE #2) (APPLY INTERMITTENTLY ON SILL FLANGE WHERE REQUIRED TO ALLOW DRAINAGE)**

**AIR-BLOC ALL WEATHER STPE**



**INSTALL WINDOW PER WINDOW MANUFACTURER REQUIREMENTS**

**LIQUID-APPLIED FLASHING**

ISOMETRIC VIEW

**FLASHING INSTALLED AFTER WRB**

SECTION VIEW

**NOTES**

1. DETAIL SHOWS HENRY **AIR-BLOC ALL WEATHER STPE VAPOR PERMEABLE AIR BARRIER**. SUBSTRATE SHOWN IS FOR REFERENCE ONLY. REFER TO PRODUCT SPECIFIC TECHNICAL DATA SHEET FOR ACCEPTABLE SUBSTRATES.
2. DETAIL SET STPE-5B.4 INCLUDES 3 PAGES OF GUIDELINES FOR FLASHING INSTALLED AFTER THE AIR BARRIER. REFER TO DETAIL STPE-2A.1 FOR AIR BARRIER TRANSITION GUIDELINES.
3. REFER TO DETAIL STPE-0A.1 FOR SYSTEM COMPONENTS. REFER TO PRODUCT SPECIFIC TECHNICAL DATA SHEET FOR PRIMER/ADHESIVE RECOMMENDATIONS.
4. ACTUAL CONDITIONS MAY VARY. VERIFY PROJECT SPECIFIC REQUIREMENTS WITH DESIGN PROFESSIONAL AND WINDOW MANUFACTURER.
5. INSULATION, CLADDING, AND OPTIONAL INTERIOR VAPOR BARRIER NOT SHOWN FOR CLARITY. REFER TO LOCAL CODE ORDINANCES FOR INSULATION AND VAPOR BARRIER REQUIREMENTS.
6. REFER TO PRODUCT SPECIFIC TECHNICAL DATA SHEET, APPLICATION GUIDE, AND GUIDE SPECIFICATION FOR INSTALLATION PROCEDURES.



**HENRY AIR-BLOC ALL WEATHER STPE**

**FLANGED WINDOW**

ROUGH OPENING FLASHING AFTER AIR BARRIER  
HENRY LIQUID-APPLIED FLASHING

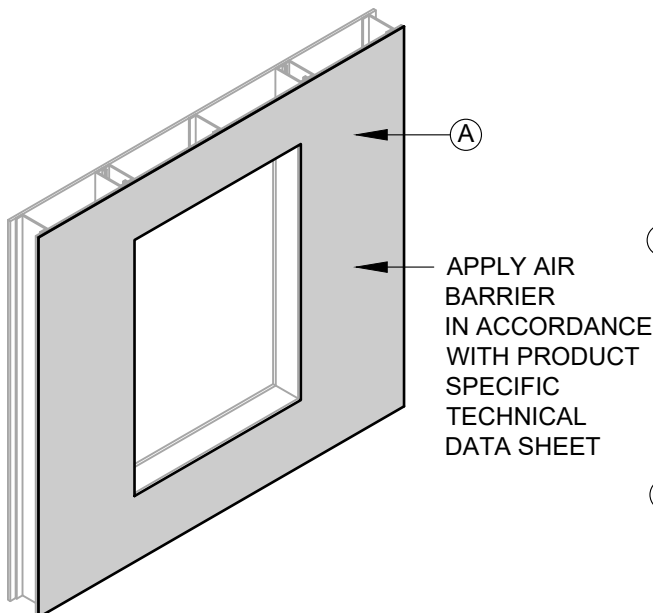
**PROJECT NAME**

02-01-2024

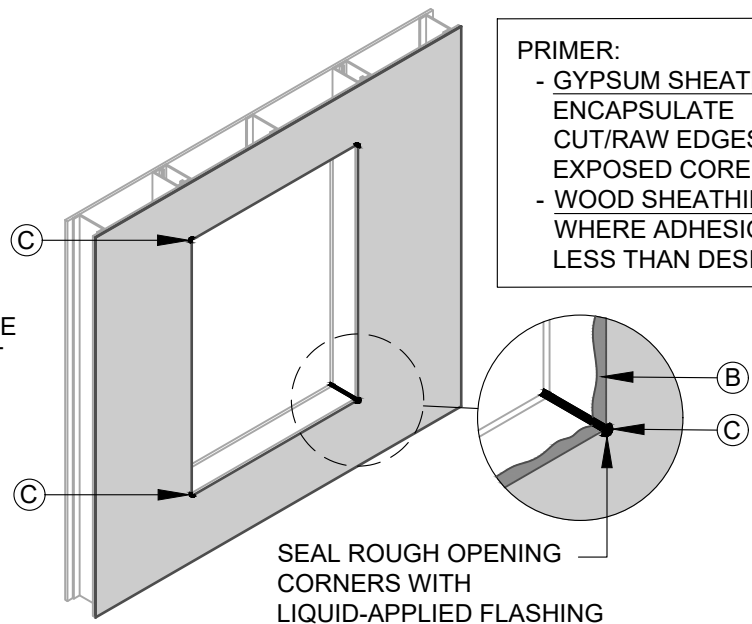
**STPE-5B.4**

THIS DETAIL IS INTENDED AS AN INSTALLATION GUIDE AND IS NOT TO SCALE. PROJECT NAME IS FOR SUBMITTAL PURPOSES ONLY. HENRY DOES NOT ASSUME RESPONSIBILITY FOR ERRORS OR DEVIATIONS IN DESIGN OR ENGINEERING. VERIFY PROJECT SPECIFIC SUITABILITY PRIOR TO INSTALLATION.



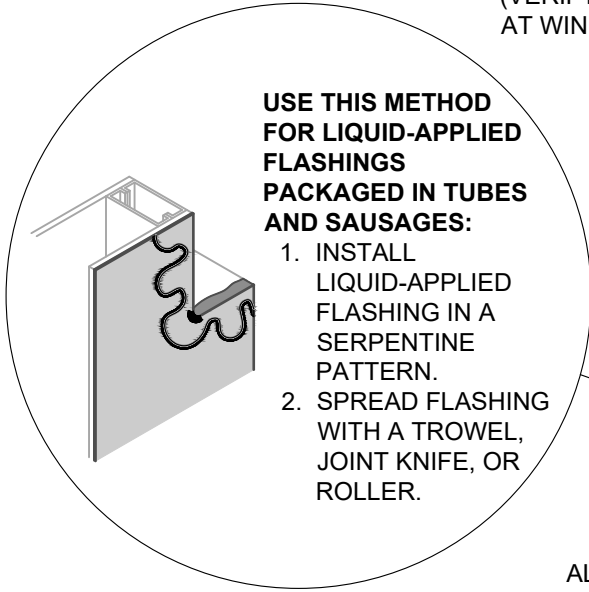


**1 WATER RESISTIVE AIR BARRIER**

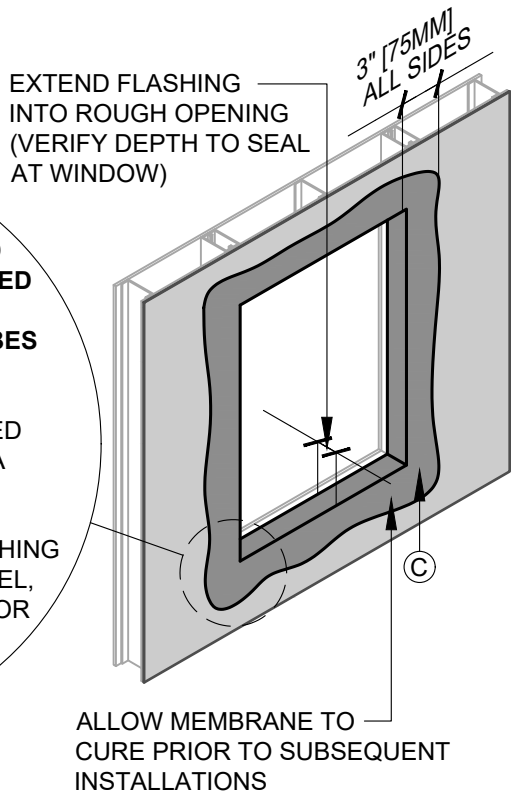


**2 CORNER FLASHING**

**PRIMER:**  
 - GYPSUM SHEATHING  
 ENCAPSULATE  
 CUT/RAW EDGES OF  
 EXPOSED CORE  
 - WOOD SHEATHING  
 WHERE ADHESION IS  
 LESS THAN DESIRED



**3 LIQUID-APPLIED FLASHING**



ALLOW MEMBRANE TO CURE PRIOR TO SUBSEQUENT INSTALLATIONS

**Henry** WEATHER RESISTIVE AIR BARRIER (WRB) ASSEMBLY  
A CARLISLE COMPANY

<b>HENRY WEATHER RESISTIVE AIR BARRIER</b>	
(A)	<b>AIR-BLOC ALL WEATHER STPE</b>
<b>AUXILIARY MATERIALS</b> (SEE DETAIL STPE-0A.1 FOR HENRY SYSTEM COMPONENTS)	
(B)	<b>HENRY PRIMER/ADHESIVE</b>
(C)	<b>HENRY LIQUID-APPLIED FLASHING</b> (REFER TO DETAIL STPE-2A.1 FOR AIR BARRIER TRANSITION GUIDELINES)
	<ul style="list-style-type: none"> <li>GYPSUM SHEATHING 25 MILS MINIMUM</li> <li>WOOD SHEATHING 40 MILS MINIMUM</li> </ul>
(D)	<b>HENRY WINDOW FLANGE SEALANT</b>
(E)	<b>AIR AND WATERTIGHT SEAL BY OTHERS</b>

**NOTES**

1. DETAIL SHOWS HENRY **AIR-BLOC ALL WEATHER STPE VAPOR PERMEABLE AIR BARRIER**. SUBSTRATE SHOWN IS FOR REFERENCE ONLY. REFER TO PRODUCT SPECIFIC TECHNICAL DATA SHEET FOR ACCEPTABLE SUBSTRATES.
2. DETAIL SET STPE-5B.4 INCLUDES 3 PAGES OF GUIDELINES FOR FLASHING INSTALLED AFTER THE AIR BARRIER.
3. REFER TO PRODUCT SPECIFIC TECHNICAL DATA SHEET, APPLICATION GUIDE, AND GUIDE SPECIFICATION.



**HENRY AIR-BLOC ALL WEATHER STPE**

**FLANGED WINDOW**

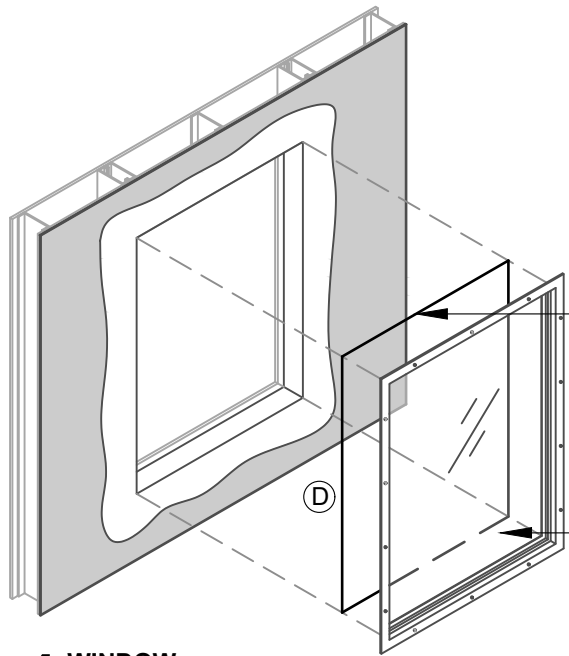
ROUGH OPENING FLASHING AFTER AIR BARRIER  
 HENRY LIQUID-APPLIED FLASHING

**PROJECT NAME**

02-01-2024

**STPE-5B.4**

THIS DETAIL IS INTENDED AS AN INSTALLATION GUIDE AND IS NOT TO SCALE. PROJECT NAME IS FOR SUBMITTAL PURPOSES ONLY. HENRY DOES NOT ASSUME RESPONSIBILITY FOR ERRORS OR DEVIATIONS IN DESIGN OR ENGINEERING. VERIFY PROJECT SPECIFIC SUITABILITY PRIOR TO INSTALLATION.

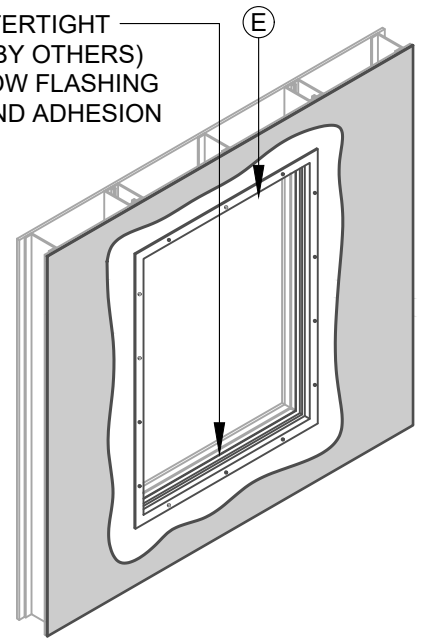


**4** WINDOW INSTALLATION

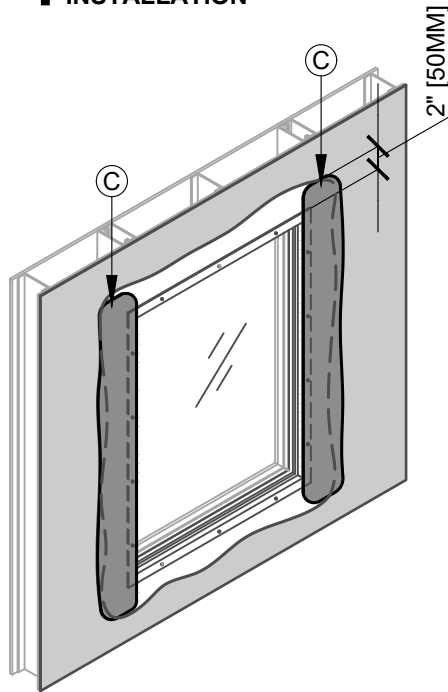
INSTALL INTERIOR AIR AND WATERTIGHT SEAL AT WINDOW PERIMETER (BY OTHERS)  
 - VERIFY SEALANT AND WINDOW FLASHING CHEMICAL COMPATIBILITY AND ADHESION

SET WINDOW FLANGE INTO A BED OF HENRY WINDOW FLANGE SEALANT (APPLY INTERMITTENTLY ON SILL FLANGE AS REQUIRED PER WINDOW MANUFACTURER)

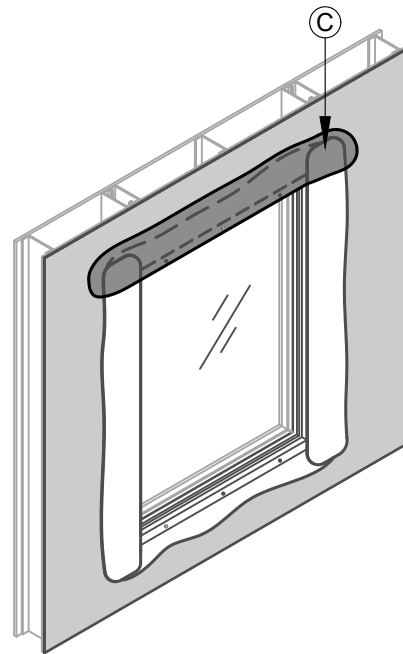
INSTALL WINDOW PER WINDOW MANUFACTURER INSTRUCTIONS



**5** INTERIOR AIR AND WATERTIGHT SEAL



**6** FLANGED WINDOW JAMB



**7** FLANGED WINDOW HEAD

**NOTES**

1. DETAIL SHOWS HENRY **AIR-BLOC ALL WEATHER STPE VAPOR PERMEABLE AIR BARRIER**. SUBSTRATE SHOWN IS FOR REFERENCE ONLY. REFER TO PRODUCT SPECIFIC TECHNICAL DATA SHEET FOR ACCEPTABLE SUBSTRATES.
2. DETAIL SET STPE-5B.4 INCLUDES 3 PAGES OF GUIDELINES FOR FLASHING INSTALLED AFTER THE AIR BARRIER.
3. REFER TO PRODUCT SPECIFIC TECHNICAL DATA SHEET, APPLICATION GUIDE, AND GUIDE SPECIFICATION.



**HENRY AIR-BLOC ALL WEATHER STPE**

**FLANGED WINDOW**

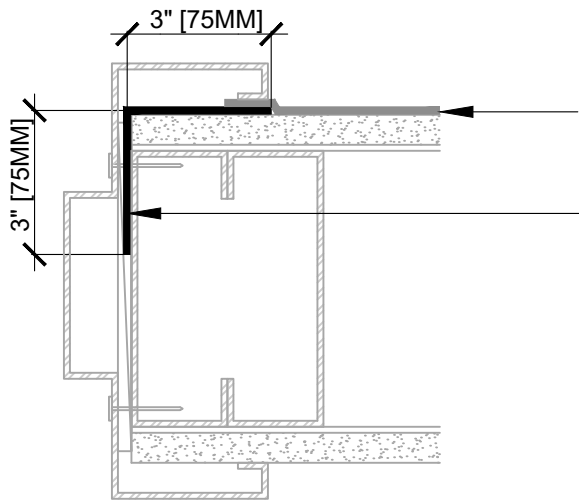
ROUGH OPENING FLASHING AFTER AIR BARRIER  
 HENRY LIQUID-APPLIED FLASHING

PROJECT NAME

02-01-2024

STPE-5B.4

THIS DETAIL IS INTENDED AS AN INSTALLATION GUIDE AND IS NOT TO SCALE. PROJECT NAME IS FOR SUBMITTAL PURPOSES ONLY. HENRY DOES NOT ASSUME RESPONSIBILITY FOR ERRORS OR DEVIATIONS IN DESIGN OR ENGINEERING. VERIFY PROJECT SPECIFIC SUITABILITY PRIOR TO INSTALLATION.

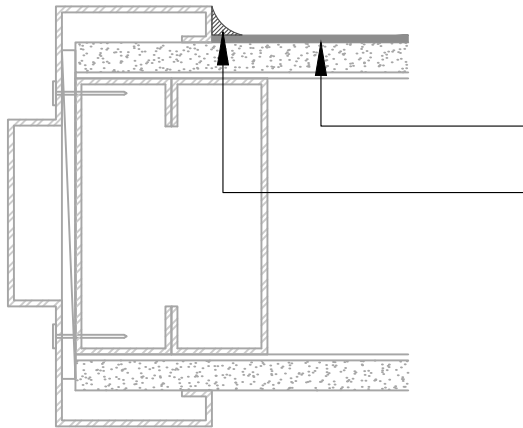


**AIR-BLOC ALL WEATHER STPE**

**HENRY SELF-ADHERED OR  
HENRY LIQUID-APPLIED FLASHING**  
REFER TO DETAIL STPE-2A.1 FOR LIQUID-APPLIED  
FLASHING AND STPE-2B.1 FOR SELF-ADHERED  
FLASHING AIR BARRIER TRANSITION GUIDELINES  
(SEE NOTE #2)

**WRB INSTALLED BEFORE DOOR**

PLAN VIEW



**AIR-BLOC ALL WEATHER STPE**

**HENRY TERMINATION SEALANT**  
(SEE NOTE #2)

**WRB INSTALLED AFTER DOOR**

PLAN VIEW

**NOTES**

1. DETAIL SHOWS HENRY **AIR-BLOC ALL WEATHER STPE VAPOR PERMEABLE AIR BARRIER**. SUBSTRATE SHOWN IS FOR REFERENCE ONLY. REFER TO PRODUCT SPECIFIC TECHNICAL DATA SHEET FOR ACCEPTABLE SUBSTRATES.
2. REFER TO DETAIL STPE-0A.1 FOR SYSTEM COMPONENTS. PRIMERS/ADHESIVES NOT SHOWN FOR CLARITY. REFER TO PRODUCT SPECIFIC TECHNICAL DATA SHEET FOR PRIMER/ADHESIVE RECOMMENDATIONS.
3. ADHESION OF COMPONENTS DEPICTED IN THIS DETAIL PROGRESSIVELY INCREASE AFTER INITIAL APPLICATION. ALLOW A MINIMUM OF 7 DAYS AFTER INSTALLATION TO CONDUCT ADHESION TESTS IF REQUIRED.
4. INSULATION, CLADDING, AND OPTIONAL INTERIOR VAPOR BARRIER NOT SHOWN FOR CLARITY. REFER TO LOCAL CODE ORDINANCES FOR INSULATION AND VAPOR BARRIER REQUIREMENTS.
5. REFER TO PRODUCT SPECIFIC TECHNICAL DATA SHEET, APPLICATION GUIDE, AND GUIDE SPECIFICATION FOR INSTALLATION PROCEDURES.



**HENRY AIR-BLOC ALL WEATHER STPE**

**ROUGH OPENING**

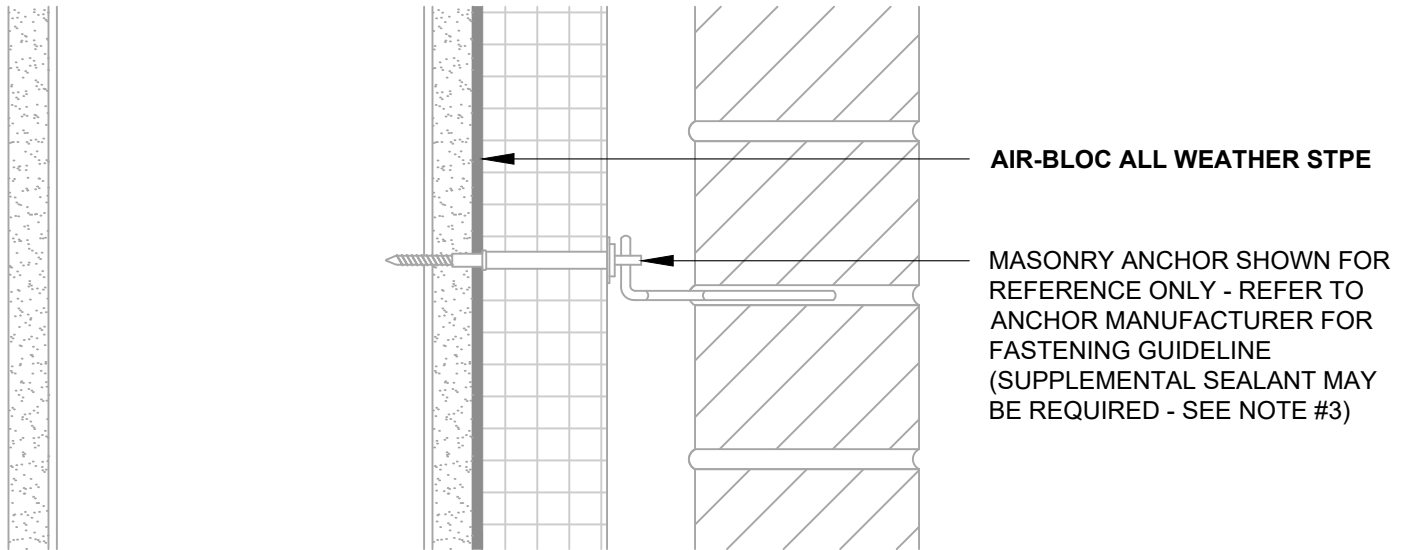
HOLLOW METAL DOOR  
HENRY SELF-ADHERED OR LIQUID-APPLIED FLASHING

**PROJECT NAME**

02-01-2024

**STPE-5R.1**

THIS DETAIL IS INTENDED AS AN INSTALLATION GUIDE AND IS NOT TO SCALE. PROJECT NAME IS FOR SUBMITTAL PURPOSES ONLY. HENRY DOES NOT ASSUME RESPONSIBILITY FOR ERRORS OR DEVIATIONS IN DESIGN OR ENGINEERING. VERIFY PROJECT SPECIFIC SUITABILITY PRIOR TO INSTALLATION.

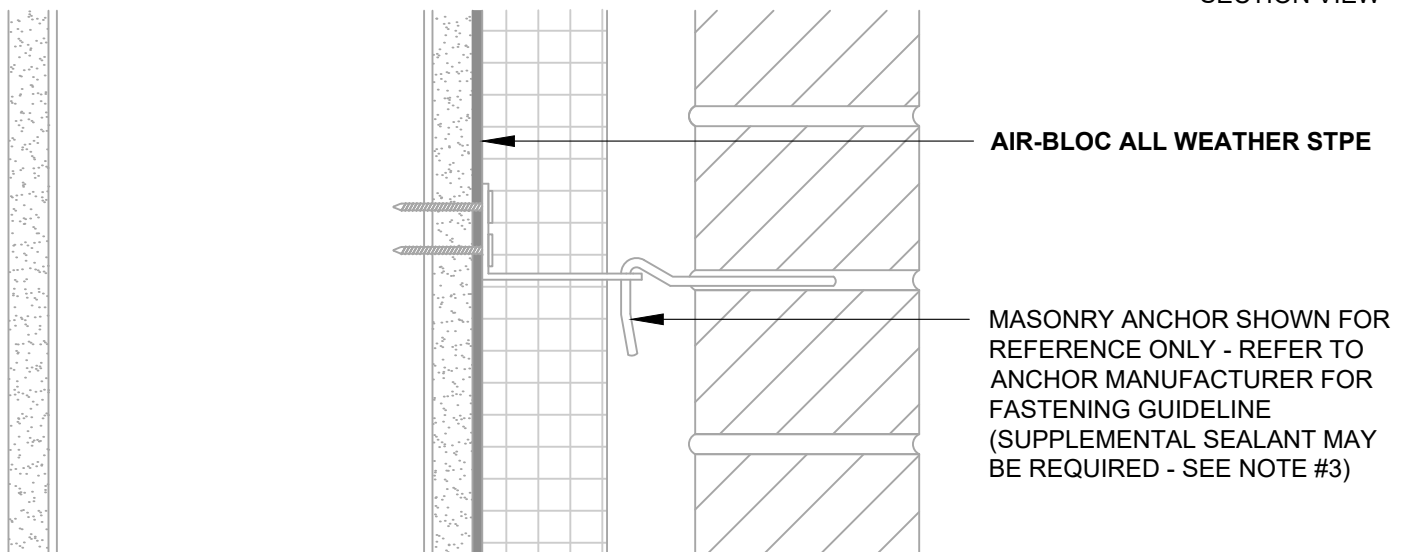


**AIR-BLOC ALL WEATHER STPE**

**MASONRY ANCHOR SHOWN FOR REFERENCE ONLY - REFER TO ANCHOR MANUFACTURER FOR FASTENING GUIDELINE (SUPPLEMENTAL SEALANT MAY BE REQUIRED - SEE NOTE #3)**

**DUAL SEAL ANCHOR**

SECTION VIEW



**AIR-BLOC ALL WEATHER STPE**

**MASONRY ANCHOR SHOWN FOR REFERENCE ONLY - REFER TO ANCHOR MANUFACTURER FOR FASTENING GUIDELINE (SUPPLEMENTAL SEALANT MAY BE REQUIRED - SEE NOTE #3)**

**L-SHAPED ANCHOR PLATE**

SECTION VIEW

**NOTES**

1. DETAIL SHOWS HENRY **AIR-BLOC ALL WEATHER STPE VAPOR PERMEABLE AIR BARRIER**. SUBSTRATE SHOWN IS FOR REFERENCE ONLY. REFER TO PRODUCT SPECIFIC TECHNICAL DATA SHEET FOR ACCEPTABLE SUBSTRATES.
2. REFER TO DETAIL STPE-0A.1 FOR SYSTEM COMPONENTS.
3. INSTALL SUPPLEMENTAL TERMINATION SEALANT AT FASTENERS IF FASTENING COMPONENTS DO NOT ACHIEVE A CONTINUOUS, AIR AND WATERTIGHT ASSEMBLY.
4. OPTIONAL INTERIOR VAPOR BARRIER NOT SHOWN FOR CLARITY. REFER TO LOCAL CODE ORDINANCES FOR INSULATION AND VAPOR BARRIER REQUIREMENTS.
5. REFER TO PRODUCT SPECIFIC TECHNICAL DATA SHEET, APPLICATION GUIDE, AND GUIDE SPECIFICATION FOR INSTALLATION PROCEDURES.



**HENRY AIR-BLOC ALL WEATHER STPE**

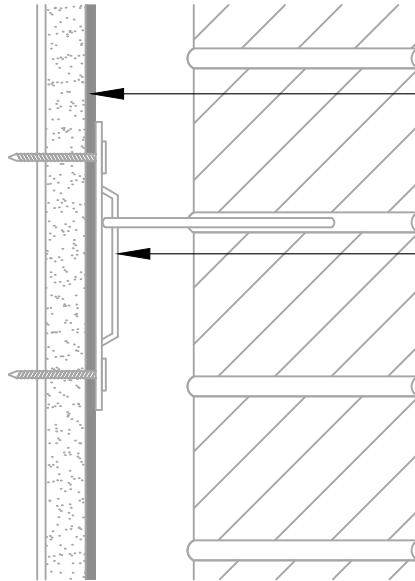
**MASONRY ANCHORS**  
FASTENED IN-PLACE MASONRY ANCHORS  
SHEATHING SUBSTRATES

**PROJECT NAME**

02-01-2024

**STPE-6A.1**

THIS DETAIL IS INTENDED AS AN INSTALLATION GUIDE AND IS NOT TO SCALE. PROJECT NAME IS FOR SUBMITTAL PURPOSES ONLY. HENRY DOES NOT ASSUME RESPONSIBILITY FOR ERRORS OR DEVIATIONS IN DESIGN OR ENGINEERING. VERIFY PROJECT SPECIFIC SUITABILITY PRIOR TO INSTALLATION.

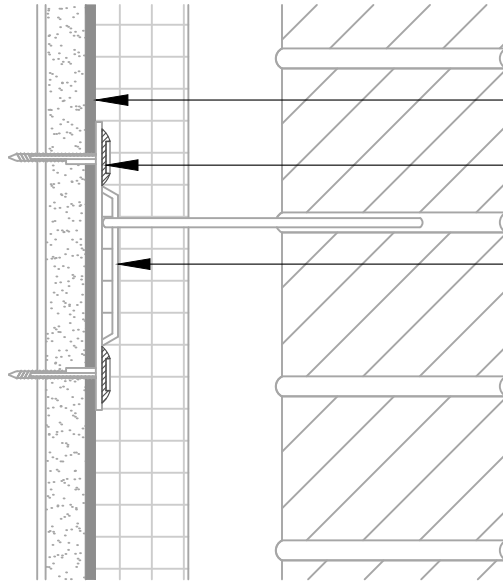


**AIR-BLOC ALL WEATHER STPE**

**MASONRY ANCHOR SHOWN FOR REFERENCE ONLY - REFER TO ANCHOR MANUFACTURER FOR FASTENING GUIDELINE (SUPPLEMENTAL SEALANT MAY BE REQUIRED - SEE NOTE #3)**

**SELF-TAPPING FASTENERS**

SECTION VIEW



**AIR-BLOC ALL WEATHER STPE**

**HENRY TERMINATION SEALANT**

**MASONRY ANCHOR SHOWN FOR REFERENCE ONLY - REFER TO ANCHOR MANUFACTURER FOR FASTENING GUIDELINE (SUPPLEMENTAL SEALANT MAY BE REQUIRED - SEE NOTE #3)**

**SPIKED ANCHOR PLATE**

SECTION VIEW

**NOTES**

1. DETAIL SHOWS HENRY **AIR-BLOC ALL WEATHER STPE VAPOR PERMEABLE AIR BARRIER**. SUBSTRATE SHOWN IS FOR REFERENCE ONLY. REFER TO PRODUCT SPECIFIC TECHNICAL DATA SHEET FOR ACCEPTABLE SUBSTRATES.
2. REFER TO DETAIL STPE-0A.1 FOR SYSTEM COMPONENTS.
3. INSTALL SUPPLEMENTAL TERMINATION SEALANT AT FASTENERS IF FASTENING COMPONENTS DO NOT ACHIEVE A CONTINUOUS, AIR AND WATERTIGHT ASSEMBLY.
4. OPTIONAL INTERIOR VAPOR BARRIER NOT SHOWN FOR CLARITY. REFER TO LOCAL CODE ORDINANCES FOR INSULATION AND VAPOR BARRIER REQUIREMENTS.
5. REFER TO PRODUCT SPECIFIC TECHNICAL DATA SHEET, APPLICATION GUIDE, AND GUIDE SPECIFICATION FOR INSTALLATION PROCEDURES.



**HENRY AIR-BLOC ALL WEATHER STPE**

**MASONRY ANCHORS**

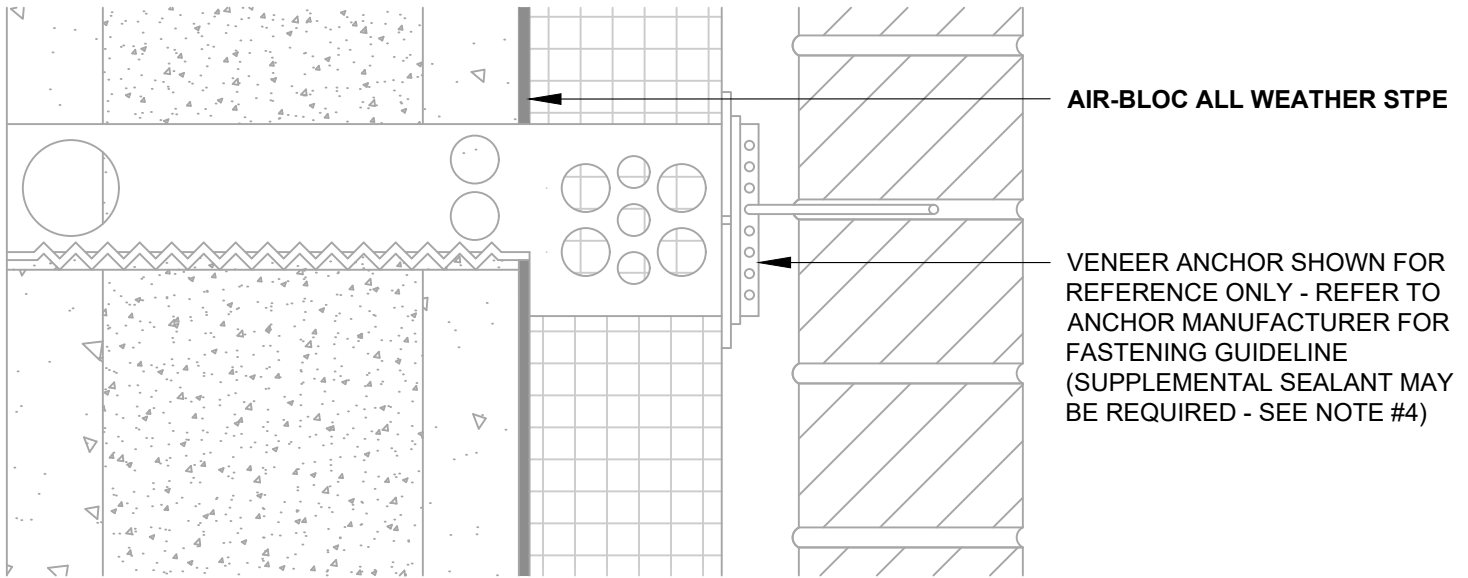
ADJUSTABLE MASONRY ANCHORS  
SHEATHING SUBSTRATES

**PROJECT NAME**

02-01-2024

**STPE-6A.2**

THIS DETAIL IS INTENDED AS AN INSTALLATION GUIDE AND IS NOT TO SCALE. PROJECT NAME IS FOR SUBMITTAL PURPOSES ONLY. HENRY DOES NOT ASSUME RESPONSIBILITY FOR ERRORS OR DEVIATIONS IN DESIGN OR ENGINEERING. VERIFY PROJECT SPECIFIC SUITABILITY PRIOR TO INSTALLATION.

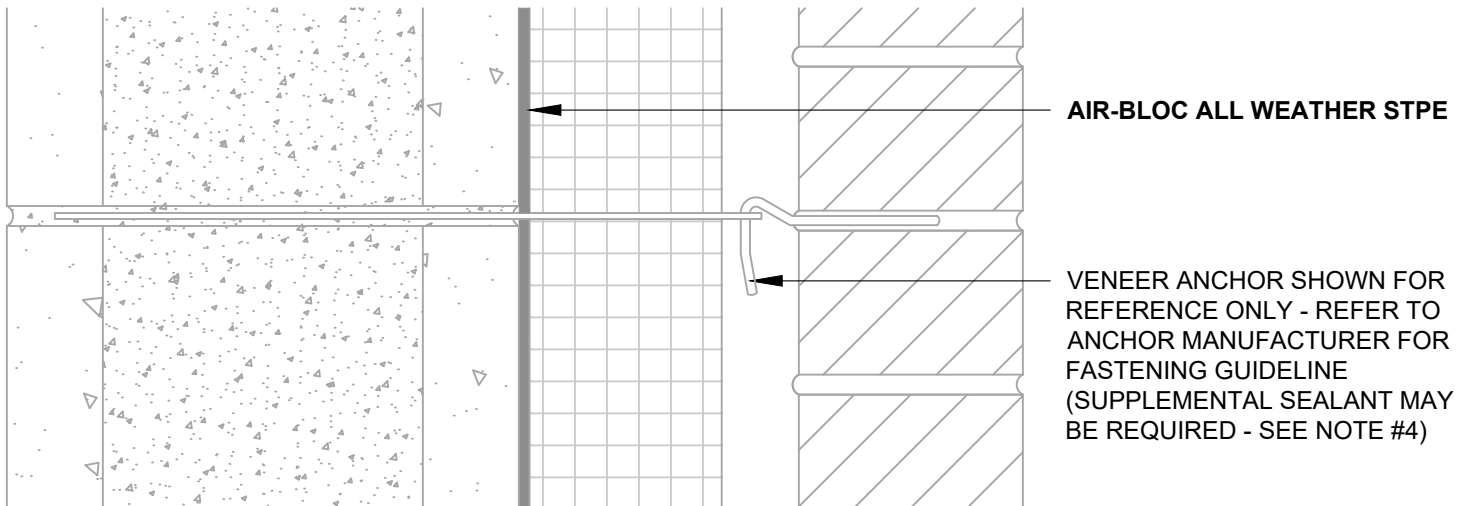


**AIR-BLOC ALL WEATHER STPE**

VENEER ANCHOR SHOWN FOR REFERENCE ONLY - REFER TO ANCHOR MANUFACTURER FOR FASTENING GUIDELINE (SUPPLEMENTAL SEALANT MAY BE REQUIRED - SEE NOTE #4)

### KNIFE PLATE MASONRY TIE

SECTION VIEW



**AIR-BLOC ALL WEATHER STPE**

VENEER ANCHOR SHOWN FOR REFERENCE ONLY - REFER TO ANCHOR MANUFACTURER FOR FASTENING GUIDELINE (SUPPLEMENTAL SEALANT MAY BE REQUIRED - SEE NOTE #4)

### WIRE LADDER TIE

SECTION VIEW

#### NOTES

1. DETAIL SHOWS HENRY **AIR-BLOC ALL WEATHER STPE VAPOR PERMEABLE AIR BARRIER**. SUBSTRATE SHOWN IS FOR REFERENCE ONLY. REFER TO PRODUCT SPECIFIC TECHNICAL DATA SHEET FOR ACCEPTABLE SUBSTRATES.
2. REFER TO DETAIL STPE-0A.1 FOR SYSTEM COMPONENTS.
3. INSTALL SUPPLEMENTAL TERMINATION SEALANT AT FASTENERS IF FASTENING COMPONENTS DO NOT ACHIEVE A CONTINUOUS, AIR AND WATERTIGHT ASSEMBLY.
4. FILL GROUT, STRIKE MORTAR FULL, AND REMOVE MORTAR DROPPINGS TO CREATE A CONTINUOUS AND VOID FREE SUBSTRATE. MORTAR MAY BE TOOLED OR FLUSH WITH FACE OF BLOCK.
5. OPTIONAL INTERIOR VAPOR BARRIER NOT SHOWN FOR CLARITY. REFER TO LOCAL CODE ORDINANCES FOR INSULATION AND VAPOR BARRIER REQUIREMENTS.
6. REFER TO PRODUCT SPECIFIC TECHNICAL DATA SHEET, APPLICATION GUIDE, AND GUIDE SPECIFICATION FOR INSTALLATION PROCEDURES.



**HENRY AIR-BLOC ALL WEATHER STPE**

**MASONRY ANCHORS**

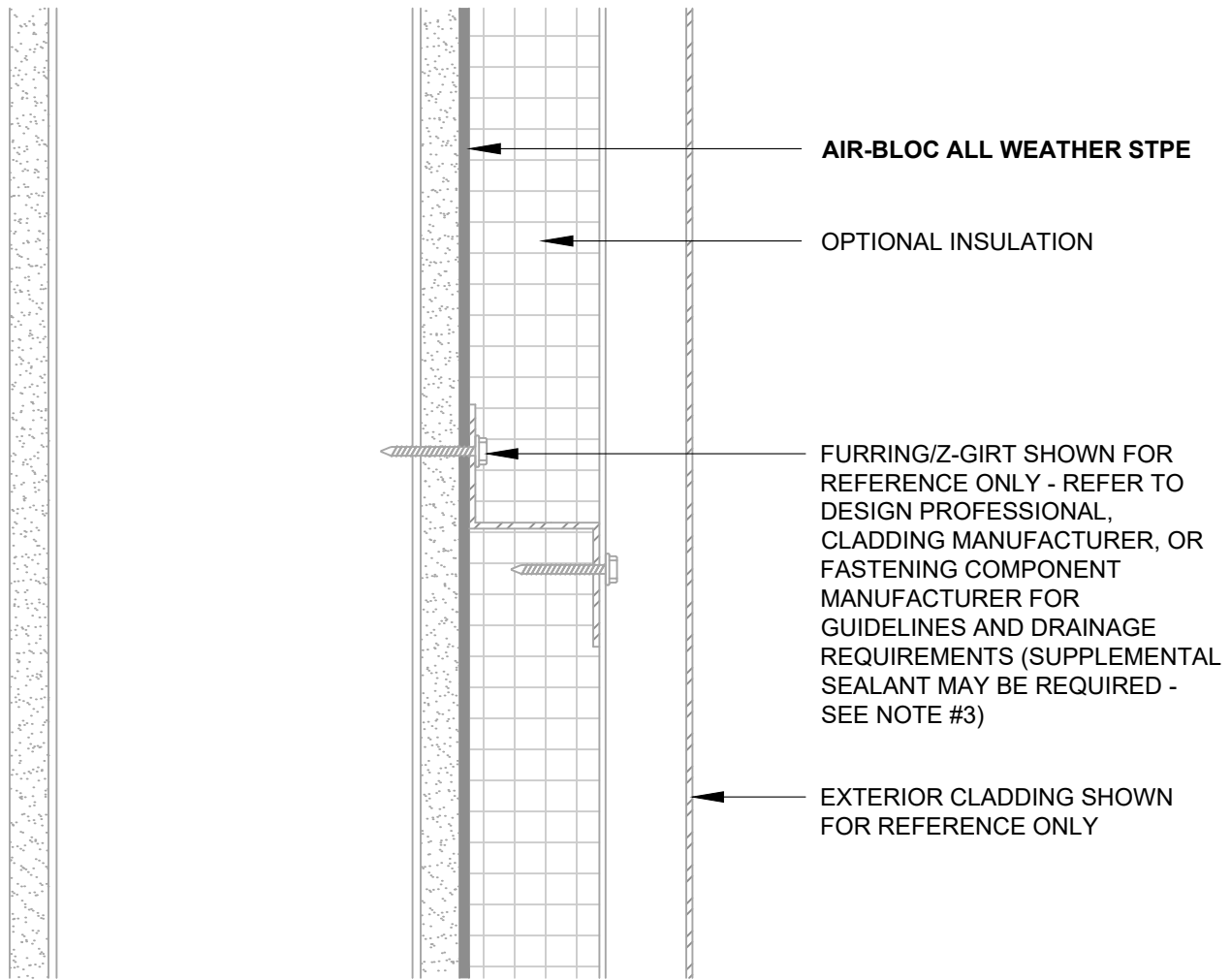
CAST-IN-PLACE ANCHORS  
CMU SUBSTRATES

PROJECT NAME

02-01-2024

STPE-6B.1

THIS DETAIL IS INTENDED AS AN INSTALLATION GUIDE AND IS NOT TO SCALE. PROJECT NAME IS FOR SUBMITTAL PURPOSES ONLY. HENRY DOES NOT ASSUME RESPONSIBILITY FOR ERRORS OR DEVIATIONS IN DESIGN OR ENGINEERING. VERIFY PROJECT SPECIFIC SUITABILITY PRIOR TO INSTALLATION.



**NOTES**

1. DETAIL SHOWS HENRY **AIR-BLOC ALL WEATHER STPE VAPOR PERMEABLE AIR BARRIER**. SUBSTRATE SHOWN IS FOR REFERENCE ONLY. REFER TO PRODUCT SPECIFIC TECHNICAL DATA SHEET FOR ACCEPTABLE SUBSTRATES.
2. REFER TO DETAIL STPE-0A.1 FOR SYSTEM COMPONENTS.
3. INSTALL SUPPLEMENTAL TERMINATION SEALANT AT FASTENERS IF FASTENING COMPONENTS DO NOT ACHIEVE A CONTINUOUS, AIR AND WATERTIGHT ASSEMBLY.
4. OPTIONAL INTERIOR VAPOR BARRIER NOT SHOWN FOR CLARITY. REFER TO LOCAL CODE ORDINANCES FOR INSULATION AND VAPOR BARRIER REQUIREMENTS.
5. REFER TO PRODUCT SPECIFIC TECHNICAL DATA SHEET, APPLICATION GUIDE, AND GUIDE SPECIFICATION FOR INSTALLATION PROCEDURES.



**HENRY AIR-BLOC ALL WEATHER STPE**

**FURRING AND GIRTS**

Z-FURRING AND GIRTS CLADDING AND INSULATION ATTACHMENT

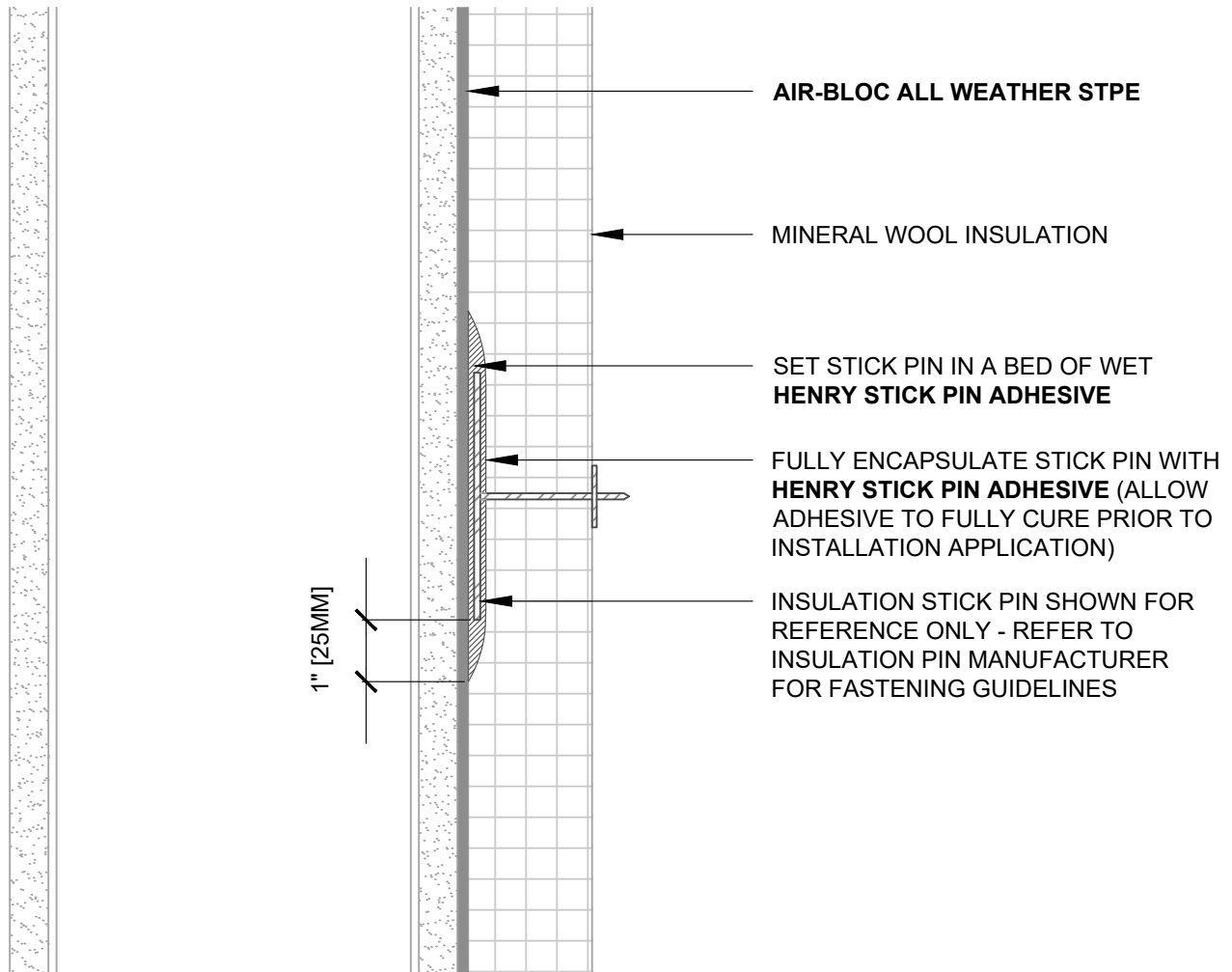
**PROJECT NAME**

02-01-2024

**STPE-6C.1**

THIS DETAIL IS INTENDED AS AN INSTALLATION GUIDE AND IS NOT TO SCALE. PROJECT NAME IS FOR SUBMITTAL PURPOSES ONLY. HENRY DOES NOT ASSUME RESPONSIBILITY FOR ERRORS OR DEVIATIONS IN DESIGN OR ENGINEERING. VERIFY PROJECT SPECIFIC SUITABILITY PRIOR TO INSTALLATION.

**THIS APPLICATION IS ONLY FOR DRY AND WELL DRAINED  
WALL ASSEMBLIES WITH MINERAL WOOL INSULATION**



**NOTES**

1. DETAIL SHOWS HENRY **AIR-BLOC ALL WEATHER STPE VAPOR PERMEABLE AIR BARRIER**. SUBSTRATE SHOWN IS FOR REFERENCE ONLY. REFER TO PRODUCT SPECIFIC TECHNICAL DATA SHEET FOR ACCEPTABLE SUBSTRATES.
2. REFER TO DETAIL STPE-0A.1 FOR SYSTEM COMPONENTS.
3. REFER TO HENRY TECHNICAL BULLETIN - FASTENER PENETRATIONS THROUGH AIR BARRIER MEMBRANES.
4. OPTIONAL INTERIOR VAPOR BARRIER NOT SHOWN FOR CLARITY. REFER TO LOCAL CODE ORDINANCES FOR INSULATION AND VAPOR BARRIER REQUIREMENTS.
5. REFER TO PRODUCT SPECIFIC TECHNICAL DATA SHEET, APPLICATION GUIDE, AND GUIDE SPECIFICATION FOR INSTALLATION PROCEDURES.



**HENRY AIR-BLOC ALL WEATHER STPE**

**INSULATION ATTACHMENT**

STICK PIN INSULATION ATTACHMENT  
MINERAL WOOL INSULATION

**PROJECT NAME**

02-01-2024

**STPE-6D.1**

THIS DETAIL IS INTENDED AS AN INSTALLATION GUIDE AND IS NOT TO SCALE. PROJECT NAME IS FOR SUBMITTAL PURPOSES ONLY. HENRY DOES NOT ASSUME RESPONSIBILITY FOR ERRORS OR DEVIATIONS IN DESIGN OR ENGINEERING. VERIFY PROJECT SPECIFIC SUITABILITY PRIOR TO INSTALLATION.



**AIR-BLOC ALL WEATHER STPE**

**HENRY SELF-ADHERED FLASHING**  
REFER TO DETAIL STPE-2B.1 FOR AIR  
BARRIER TRANSITION GUIDELINES  
(SEE NOTE #2)

**HENRY TERMINATION SEALANT**  
(SEE NOTE #2)

**HENRY THRU-WALL FLASHING**  
(SEE NOTE #3)

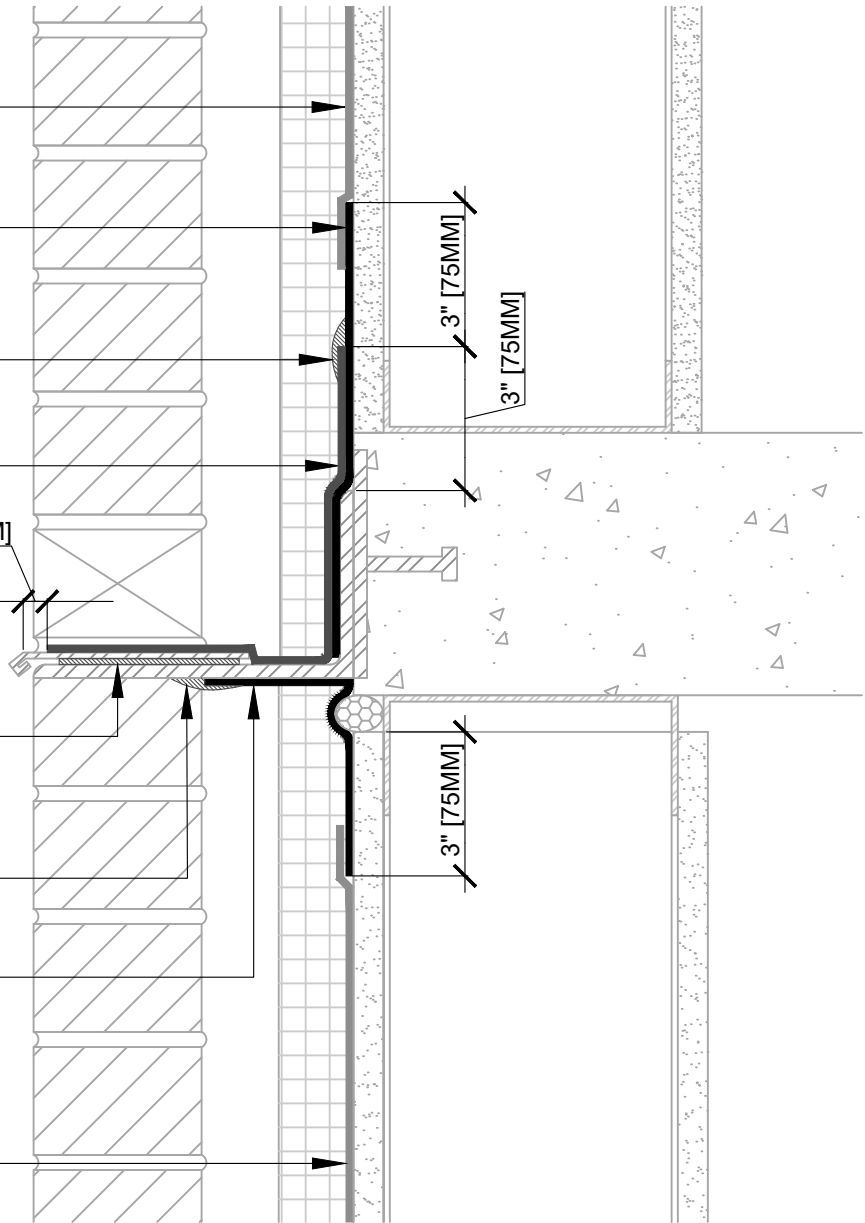
1/2" [13MM]

**HENRY JOINT SEALANT**  
(SEE NOTE #2)

**HENRY TERMINATION SEALANT**  
(SEE NOTE #2)

**HENRY SELF-ADHERED FLASHING  
OR HENRY THRU-WALL FLASHING**  
REFER TO DETAIL STPE-2B.1 FOR  
AIR BARRIER TRANSITION  
GUIDELINES (SEE NOTE #2)

**AIR-BLOC ALL WEATHER STPE**



**NOTES**

1. DETAIL SHOWS HENRY **AIR-BLOC ALL WEATHER STPE VAPOR PERMEABLE AIR BARRIER**. SUBSTRATE SHOWN IS FOR REFERENCE ONLY. REFER TO PRODUCT SPECIFIC TECHNICAL DATA SHEET FOR ACCEPTABLE SUBSTRATES.
2. REFER TO DETAIL STPE-0A.1 FOR SYSTEM COMPONENTS. PRIMERS/ADHESIVES NOT SHOWN FOR CLARITY. REFER TO PRODUCT SPECIFIC TECHNICAL DATA SHEET FOR PRIMER/ADHESIVE RECOMMENDATIONS.
3. REFER TO DETAIL STPE-2B.1 FOR AIR BARRIER TRANSITION GUIDELINES.
4. ACTUAL CONDITIONS MAY VARY. CONTACT HENRY FOR NFPA 285 COMPLIANT WALL CONFIGURATIONS.
5. INSULATION, CLADDING, AND OPTIONAL INTERIOR VAPOR BARRIER NOT SHOWN FOR CLARITY. REFER TO LOCAL CODE ORDINANCES FOR INSULATION AND VAPOR BARRIER REQUIREMENTS.
6. REFER TO PRODUCT SPECIFIC TECHNICAL DATA SHEET, APPLICATION GUIDE, AND GUIDE SPECIFICATION FOR INSTALLATION PROCEDURES.



**HENRY AIR-BLOC ALL WEATHER STPE**

**SHELF ANGLE**

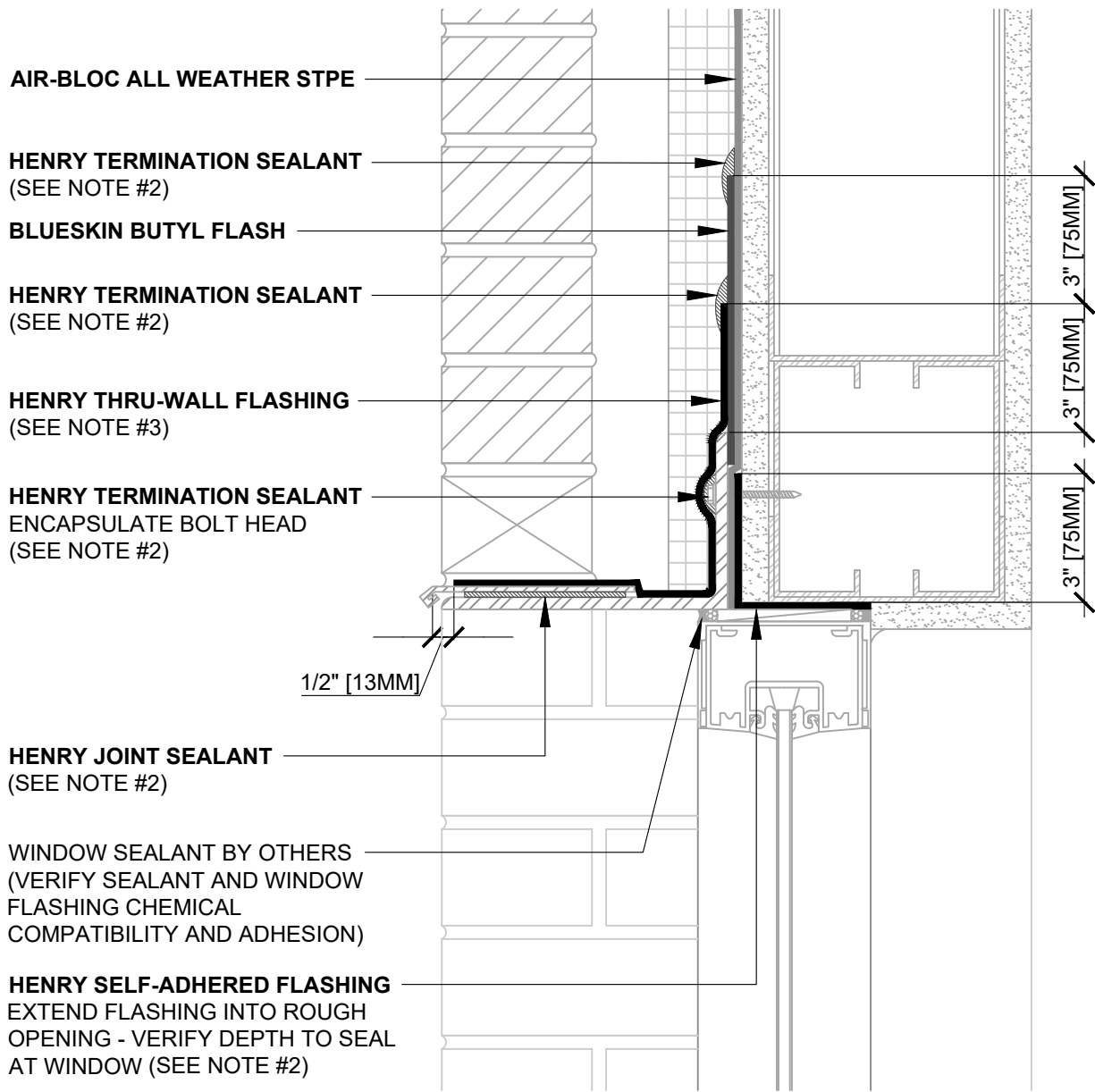
TYPICAL CONTINUOUS SHELF ANGLE  
THRU-WALL FLASHING AT FLOOR LINE

**PROJECT NAME**

02-01-2024

**STPE-7A.1**

THIS DETAIL IS INTENDED AS AN INSTALLATION GUIDE AND IS NOT TO SCALE. PROJECT NAME IS FOR SUBMITTAL PURPOSES ONLY. HENRY DOES NOT ASSUME RESPONSIBILITY FOR ERRORS OR DEVIATIONS IN DESIGN OR ENGINEERING. VERIFY PROJECT SPECIFIC SUITABILITY PRIOR TO INSTALLATION.



**NOTES**

1. DETAIL SHOWS HENRY **AIR-BLOC ALL WEATHER STPE VAPOR PERMEABLE AIR BARRIER**. SUBSTRATE SHOWN IS FOR REFERENCE ONLY. REFER TO PRODUCT SPECIFIC TECHNICAL DATA SHEET FOR ACCEPTABLE SUBSTRATES.
2. REFER TO DETAIL STPE-0A.1 FOR SYSTEM COMPONENTS. PRIMERS/ADHESIVES NOT SHOWN FOR CLARITY. REFER TO PRODUCT SPECIFIC TECHNICAL DATA SHEET FOR PRIMER/ADHESIVE RECOMMENDATIONS.
3. REFER TO DETAIL STPE-2B.1 FOR AIR BARRIER TRANSITION GUIDELINES.
4. ACTUAL CONDITIONS MAY VARY. CONTACT HENRY FOR NFPA 285 COMPLIANT WALL CONFIGURATIONS.
5. INSULATION, CLADDING, AND OPTIONAL INTERIOR VAPOR BARRIER NOT SHOWN FOR CLARITY. REFER TO LOCAL CODE ORDINANCES FOR INSULATION AND VAPOR BARRIER REQUIREMENTS.
6. REFER TO PRODUCT SPECIFIC TECHNICAL DATA SHEET, APPLICATION GUIDE, AND GUIDE SPECIFICATION FOR INSTALLATION PROCEDURES.



**HENRY AIR-BLOC ALL WEATHER STPE**

**SHELF ANGLE**

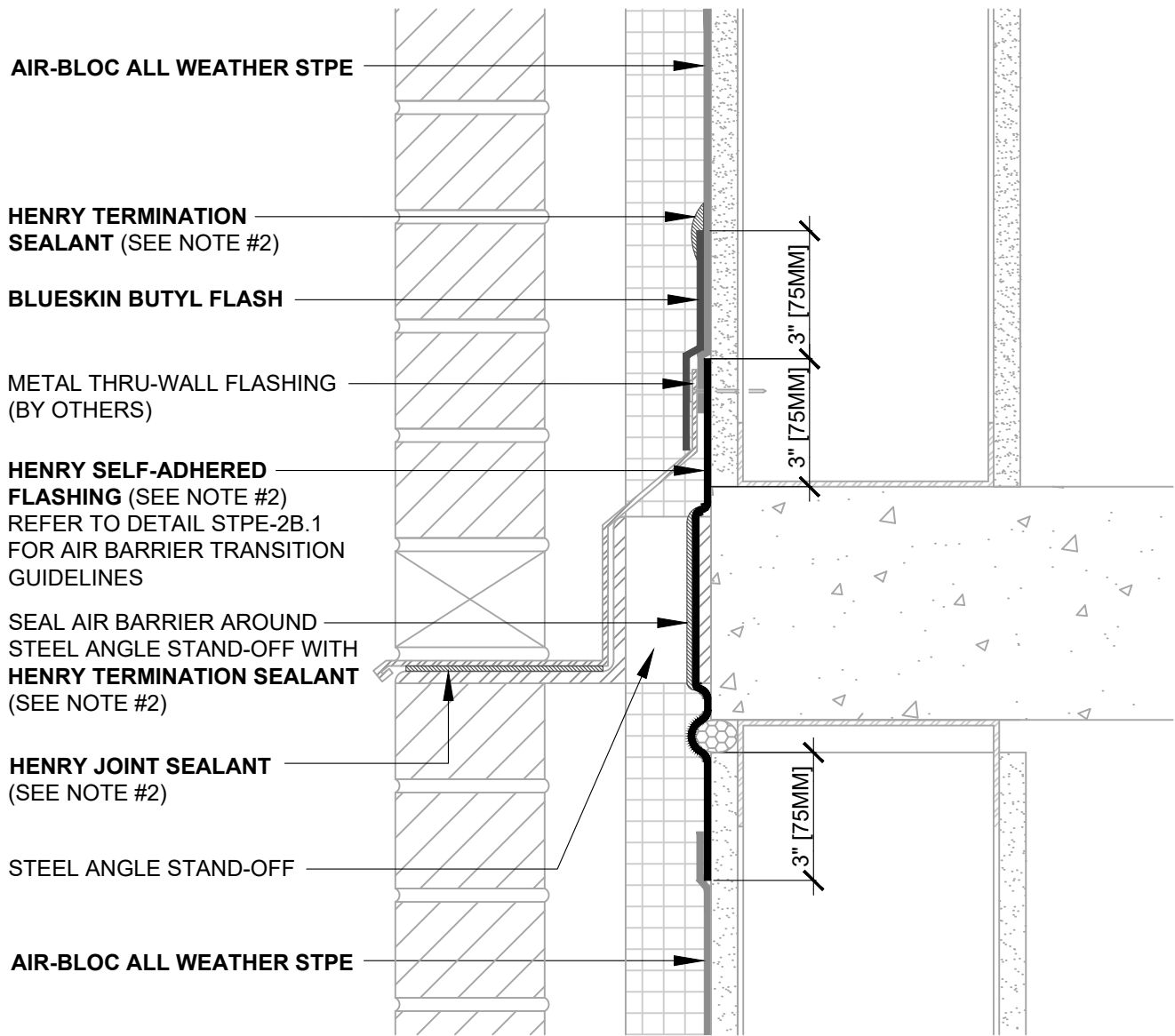
TYPICAL CONTINUOUS SHELF ANGLE  
THRU-WALL FLASHING AT WINDOW HEADER

PROJECT NAME

02-01-2024

**STPE-7A.2**

THIS DETAIL IS INTENDED AS AN INSTALLATION GUIDE AND IS NOT TO SCALE. PROJECT NAME IS FOR SUBMITTAL PURPOSES ONLY. HENRY DOES NOT ASSUME RESPONSIBILITY FOR ERRORS OR DEVIATIONS IN DESIGN OR ENGINEERING. VERIFY PROJECT SPECIFIC SUITABILITY PRIOR TO INSTALLATION.



**NOTES**

1. DETAIL SHOWS HENRY **AIR-BLOC ALL WEATHER STPE VAPOR PERMEABLE AIR BARRIER**. SUBSTRATE SHOWN IS FOR REFERENCE ONLY. REFER TO PRODUCT SPECIFIC TECHNICAL DATA SHEET FOR ACCEPTABLE SUBSTRATES.
2. REFER TO DETAIL STPE-0A.1 FOR SYSTEM COMPONENTS. PRIMERS/ADHESIVES NOT SHOWN FOR CLARITY. REFER TO PRODUCT SPECIFIC TECHNICAL DATA SHEET FOR PRIMER/ADHESIVE RECOMMENDATIONS.
3. REFER TO DETAIL STPE-2B.1 FOR AIR BARRIER TRANSITION GUIDELINES.
4. ACTUAL CONDITIONS MAY VARY. CONTACT HENRY FOR NFPA 285 COMPLIANT WALL CONFIGURATIONS.
5. INSULATION, CLADDING, AND OPTIONAL INTERIOR VAPOR BARRIER NOT SHOWN FOR CLARITY. REFER TO LOCAL CODE ORDINANCES FOR INSULATION AND VAPOR BARRIER REQUIREMENTS.
6. REFER TO PRODUCT SPECIFIC TECHNICAL DATA SHEET, APPLICATION GUIDE, AND GUIDE SPECIFICATION FOR INSTALLATION PROCEDURES.



**HENRY AIR-BLOC ALL WEATHER STPE**

**SHELF ANGLE**

CONTINUOUS INSULATION - HENRY SELF-ADHERED FLASHING AT METAL THRU-WALL FLASHING

PROJECT NAME

02-01-2024

**STPE-7B.1**

THIS DETAIL IS INTENDED AS AN INSTALLATION GUIDE AND IS NOT TO SCALE. PROJECT NAME IS FOR SUBMITTAL PURPOSES ONLY. HENRY DOES NOT ASSUME RESPONSIBILITY FOR ERRORS OR DEVIATIONS IN DESIGN OR ENGINEERING. VERIFY PROJECT SPECIFIC SUITABILITY PRIOR TO INSTALLATION.

**AIR-BLOC ALL WEATHER STPE**

**HENRY LIQUID-APPLIED FLASHING** (SEE NOTE #2)  
REFER TO DETAIL STPE-2A.1 FOR LIQUID-APPLIED FLASHING TRANSITION GUIDELINES

**METAL THRU-WALL FLASHING** (BY OTHERS)

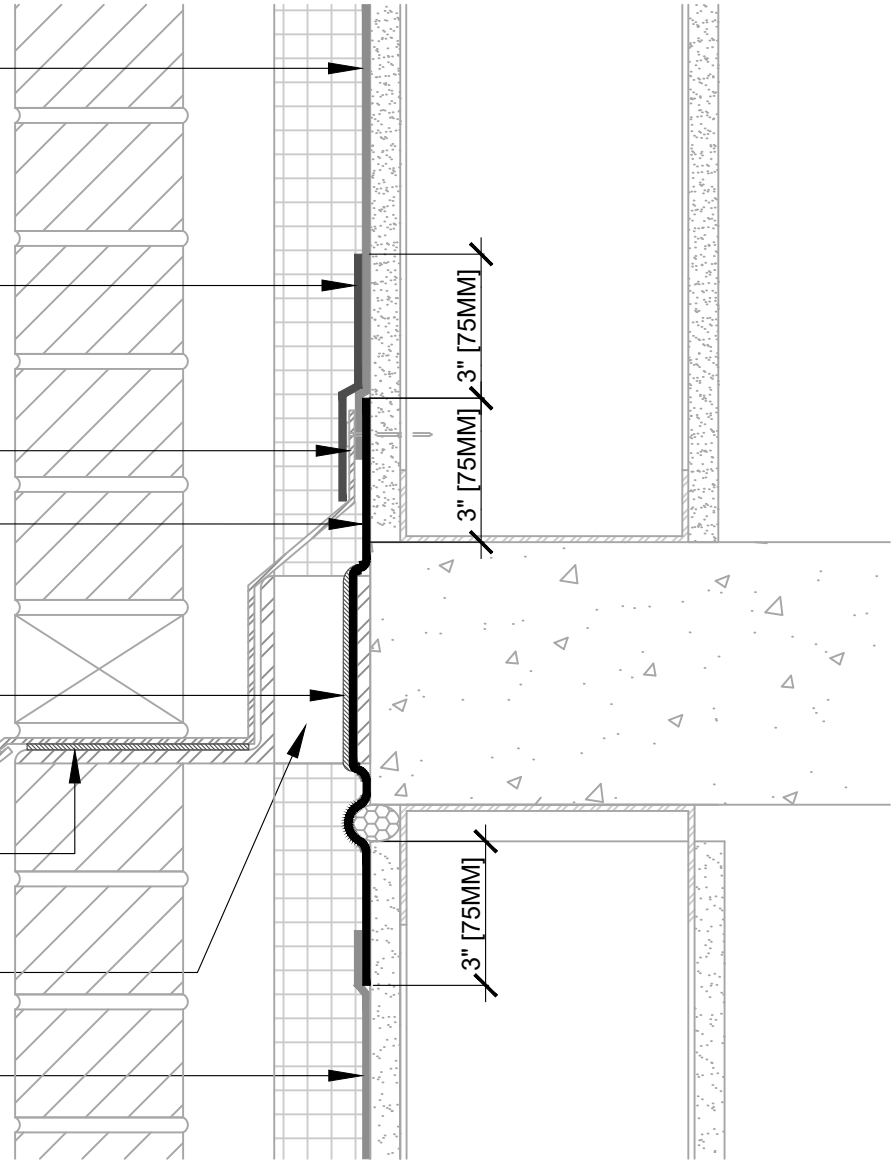
**HENRY SELF-ADHERED FLASHING** (SEE NOTE #2)  
REFER TO DETAIL STPE-2B.1 FOR AIR BARRIER TRANSITION GUIDELINES

SEAL AIR BARRIER AROUND STEEL ANGLE STAND-OFF WITH **HENRY TERMINATION SEALANT** (SEE NOTE #2)

**HENRY JOINT SEALANT** (SEE NOTE #2)

**STEEL ANGLE STAND-OFF**

**AIR-BLOC ALL WEATHER STPE**



**NOTES**

1. DETAIL SHOWS HENRY **AIR-BLOC ALL WEATHER STPE VAPOR PERMEABLE AIR BARRIER**. SUBSTRATE SHOWN IS FOR REFERENCE ONLY. REFER TO PRODUCT SPECIFIC TECHNICAL DATA SHEET FOR ACCEPTABLE SUBSTRATES.
2. REFER TO DETAIL STPE-0A.1 FOR SYSTEM COMPONENTS. PRIMERS/ADHESIVES NOT SHOWN FOR CLARITY. REFER TO PRODUCT SPECIFIC TECHNICAL DATA SHEET FOR PRIMER/ADHESIVE RECOMMENDATIONS.
3. REFER TO DETAIL STPE-2B.1 FOR AIR BARRIER TRANSITION GUIDELINES.
4. ACTUAL CONDITIONS MAY VARY. CONTACT HENRY FOR NFPA 285 COMPLIANT WALL CONFIGURATIONS.
5. INSULATION, CLADDING, AND OPTIONAL INTERIOR VAPOR BARRIER NOT SHOWN FOR CLARITY. REFER TO LOCAL CODE ORDINANCES FOR INSULATION AND VAPOR BARRIER REQUIREMENTS.
6. REFER TO PRODUCT SPECIFIC TECHNICAL DATA SHEET, APPLICATION GUIDE, AND GUIDE SPECIFICATION FOR INSTALLATION PROCEDURES.



**HENRY AIR-BLOC ALL WEATHER STPE**

**SHELF ANGLE**

CONTINUOUS INSULATION - HENRY LIQUID-APPLIED FLASHING AT METAL THRU-WALL FLASHING

**PROJECT NAME**

02-01-2024

**STPE-7B.2**

THIS DETAIL IS INTENDED AS AN INSTALLATION GUIDE AND IS NOT TO SCALE. PROJECT NAME IS FOR SUBMITTAL PURPOSES ONLY. HENRY DOES NOT ASSUME RESPONSIBILITY FOR ERRORS OR DEVIATIONS IN DESIGN OR ENGINEERING. VERIFY PROJECT SPECIFIC SUITABILITY PRIOR TO INSTALLATION.

AIR-BLOC ALL WEATHER STPE

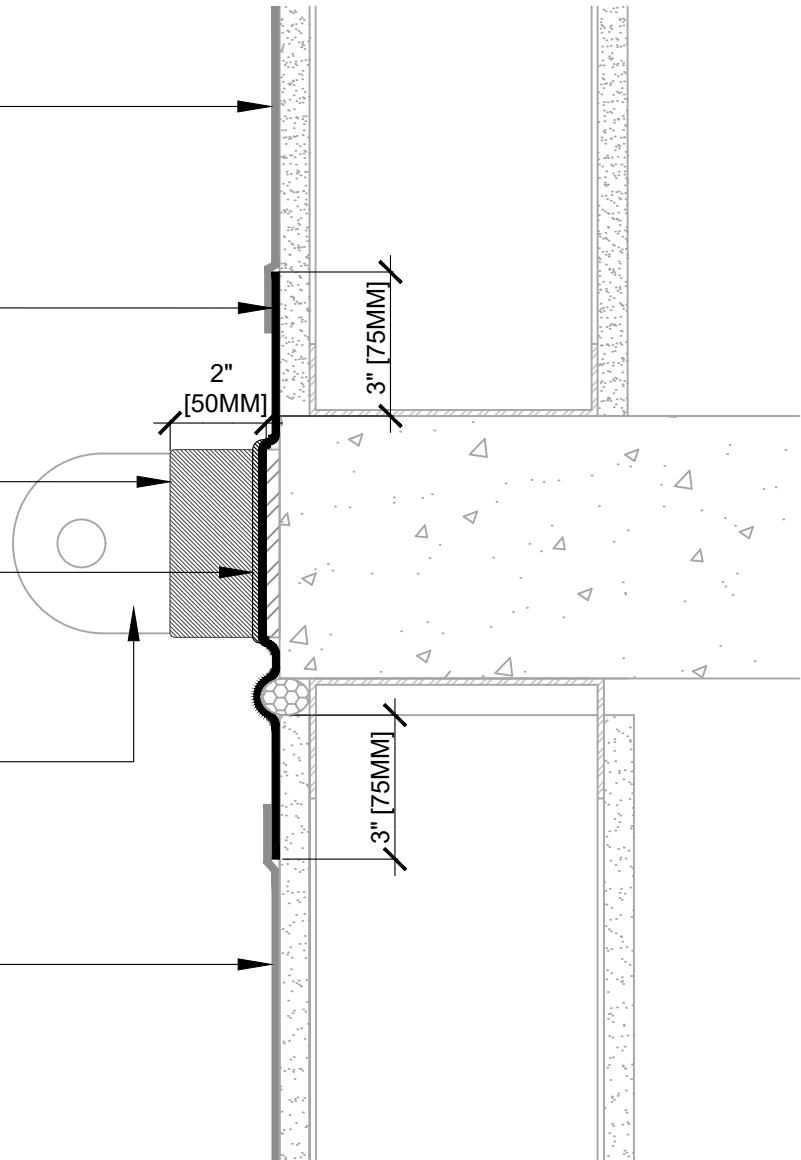
HENRY SELF-ADHERED FLASHING  
REFER TO DETAIL STPE-2B.1 FOR AIR  
BARRIER TRANSITION GUIDELINES  
(SEE NOTE #2)

SEAL AROUND KNIFE PLATE WITH  
HENRY TERMINATION SEALANT

EXTEND TERMINATION SEALANT  
1" (25MM) ONTO HENRY  
SELF-ADHERED FLASHING  
(SEE NOTE #2)

KNIFE PLATE

AIR-BLOC ALL WEATHER STPE



## NOTES

1. DETAIL SHOWS HENRY **AIR-BLOC ALL WEATHER STPE VAPOR PERMEABLE AIR BARRIER**. SUBSTRATE SHOWN IS FOR REFERENCE ONLY. REFER TO PRODUCT SPECIFIC TECHNICAL DATA SHEET FOR ACCEPTABLE SUBSTRATES.
2. REFER TO DETAIL STPE-0A.1 FOR SYSTEM COMPONENTS. PRIMERS/ADHESIVES NOT SHOWN FOR CLARITY. REFER TO PRODUCT SPECIFIC TECHNICAL DATA SHEET FOR PRIMER/ADHESIVE RECOMMENDATIONS.
3. INSULATION, CLADDING, AND OPTIONAL INTERIOR VAPOR BARRIER NOT SHOWN FOR CLARITY. REFER TO LOCAL CODE ORDINANCES FOR INSULATION AND VAPOR BARRIER REQUIREMENTS.
4. REFER TO PRODUCT SPECIFIC TECHNICAL DATA SHEET, APPLICATION GUIDE, AND GUIDE SPECIFICATION FOR INSTALLATION PROCEDURES.



## HENRY AIR-BLOC ALL WEATHER STPE

### KNIFE PLATE

SELF-ADHERED FLASHING  
DETAILING AT KNIFE PLATE

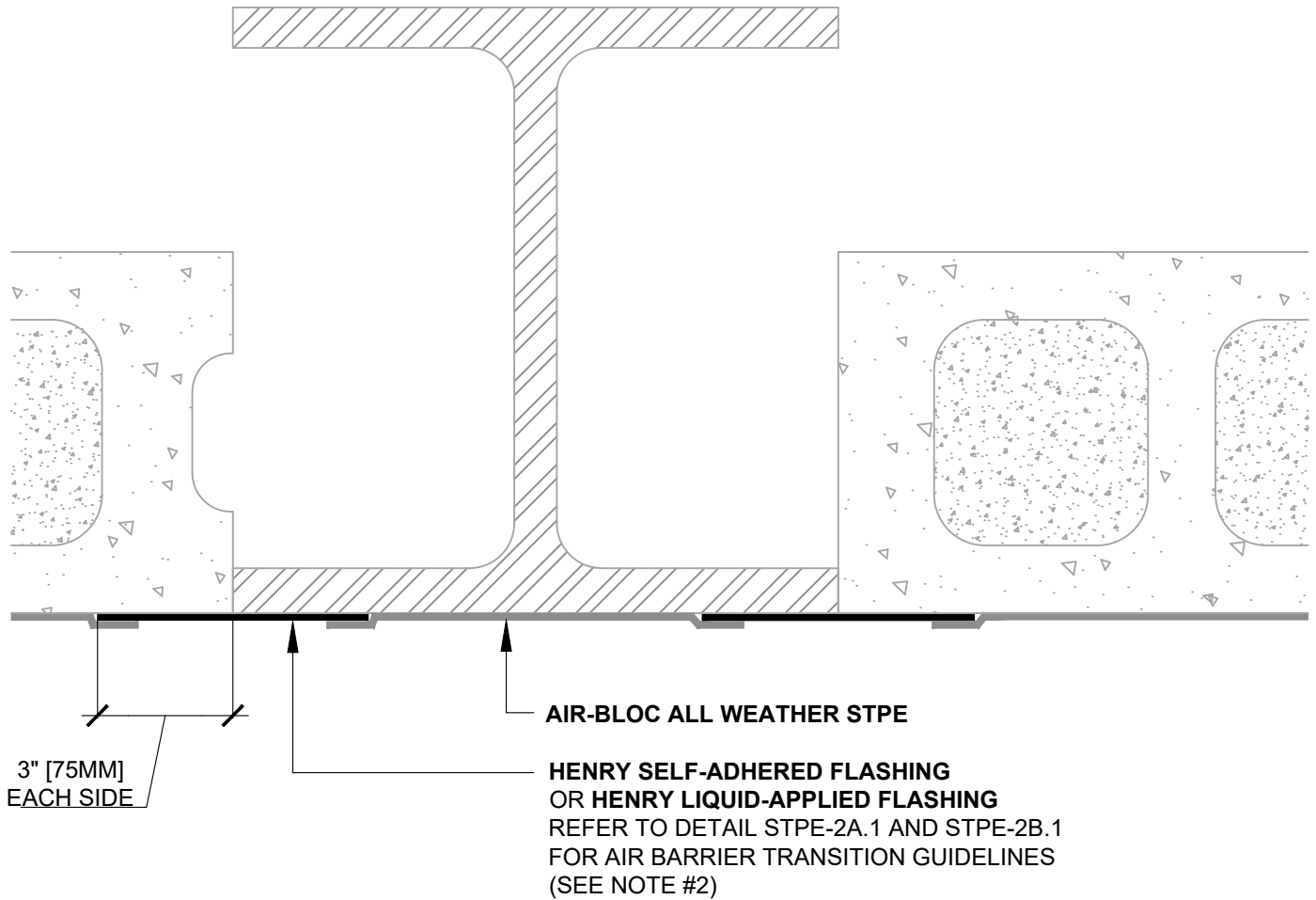
PROJECT NAME

02-01-2024

STPE-7C.1

THIS DETAIL IS INTENDED AS AN INSTALLATION GUIDE AND IS NOT TO SCALE. PROJECT NAME IS FOR SUBMITTAL PURPOSES ONLY. HENRY DOES NOT ASSUME RESPONSIBILITY FOR ERRORS OR DEVIATIONS IN DESIGN OR ENGINEERING. VERIFY PROJECT SPECIFIC SUITABILITY PRIOR TO INSTALLATION.

FILL GROUT, STRIKE MORTAR FULL, AND REMOVE MORTAR DROPPINGS TO CREATE A CONTINUOUS AND VOID FREE SUBSTRATE. MORTAR MAY BE TOOLED OR FLUSH WITH FACE OF BLOCK (SEE NOTE #2)



**NOTES**

1. DETAIL SHOWS HENRY **AIR-BLOC ALL WEATHER STPE VAPOR PERMEABLE AIR BARRIER**. SUBSTRATE SHOWN IS FOR REFERENCE ONLY. REFER TO PRODUCT SPECIFIC TECHNICAL DATA SHEET FOR ACCEPTABLE SUBSTRATES.
2. REFER TO DETAIL STPE-0A.1 FOR SYSTEM COMPONENTS. PRIMERS/ADHESIVES NOT SHOWN FOR CLARITY. REFER TO PRODUCT SPECIFIC TECHNICAL DATA SHEET FOR PRIMER/ADHESIVE RECOMMENDATIONS.
3. INSULATION, CLADDING, AND OPTIONAL INTERIOR VAPOR BARRIER NOT SHOWN FOR CLARITY. REFER TO LOCAL CODE ORDINANCES FOR INSULATION AND VAPOR BARRIER REQUIREMENTS.
4. REFER TO PRODUCT SPECIFIC TECHNICAL DATA SHEET, APPLICATION GUIDE, AND GUIDE SPECIFICATION FOR INSTALLATION PROCEDURES.



**HENRY AIR-BLOC ALL WEATHER STPE  
DISSIMILAR SUBSTRATES**

CMU TO STEEL COLUMN  
GAPS UP TO 1/2" [13MM] WIDE MAXIMUM

**PROJECT NAME**

02-01-2024

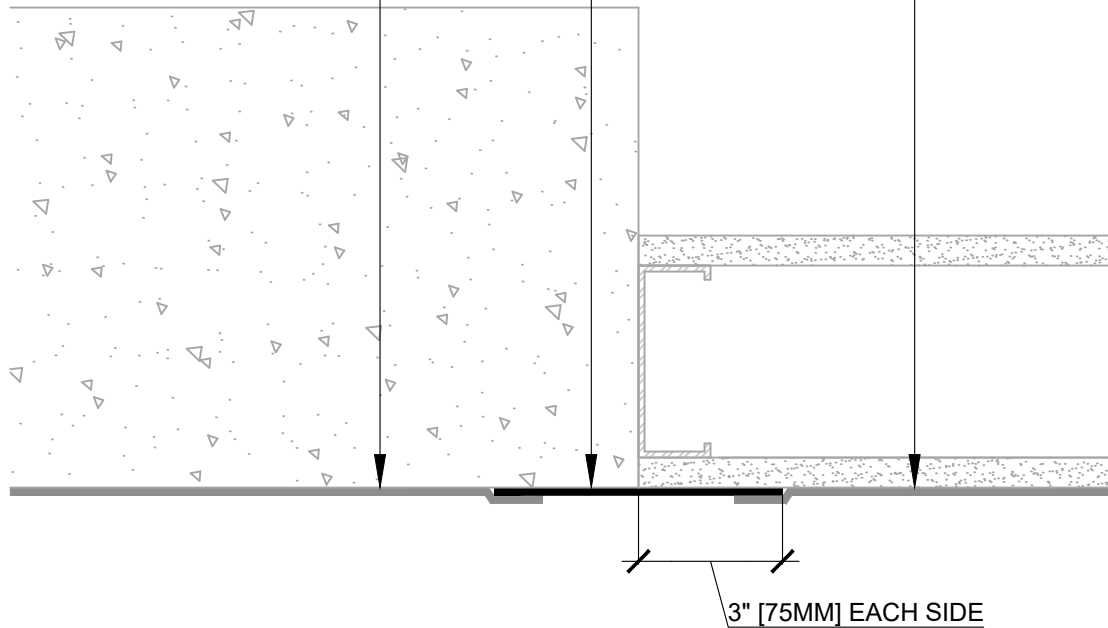
**STPE-9A.1**

THIS DETAIL IS INTENDED AS AN INSTALLATION GUIDE AND IS NOT TO SCALE. PROJECT NAME IS FOR SUBMITTAL PURPOSES ONLY. HENRY DOES NOT ASSUME RESPONSIBILITY FOR ERRORS OR DEVIATIONS IN DESIGN OR ENGINEERING. VERIFY PROJECT SPECIFIC SUITABILITY PRIOR TO INSTALLATION.

**AIR-BLOC ALL WEATHER STPE**

**HENRY SELF-ADHERED FLASHING  
OR HENRY LIQUID-APPLIED FLASHING**  
REFER TO DETAIL STPE-2A.1 AND  
STPE-2B.1 FOR AIR BARRIER  
TRANSITION GUIDELINES (SEE NOTE #2)

**AIR-BLOC ALL WEATHER STPE**



**NOTES**

1. DETAIL SHOWS HENRY **AIR-BLOC ALL WEATHER STPE VAPOR PERMEABLE AIR BARRIER**. SUBSTRATE SHOWN IS FOR REFERENCE ONLY. REFER TO PRODUCT SPECIFIC TECHNICAL DATA SHEET FOR ACCEPTABLE SUBSTRATES.
2. REFER TO DETAIL STPE-0A.1 FOR SYSTEM COMPONENTS. PRIMERS/ADHESIVES NOT SHOWN FOR CLARITY. REFER TO PRODUCT SPECIFIC TECHNICAL DATA SHEET FOR PRIMER/ADHESIVE RECOMMENDATIONS.
3. INSULATION, CLADDING, AND OPTIONAL INTERIOR VAPOR BARRIER NOT SHOWN FOR CLARITY. REFER TO LOCAL CODE ORDINANCES FOR INSULATION AND VAPOR BARRIER REQUIREMENTS.
4. REFER TO PRODUCT SPECIFIC TECHNICAL DATA SHEET, APPLICATION GUIDE, AND GUIDE SPECIFICATION FOR INSTALLATION PROCEDURES.



**HENRY AIR-BLOC ALL WEATHER STPE**

**DISSIMILAR SUBSTRATES**

STUD WALL TO CONCRETE  
GAPS UP TO 1/2" [13MM] WIDE MAXIMUM

PROJECT NAME

02-01-2024

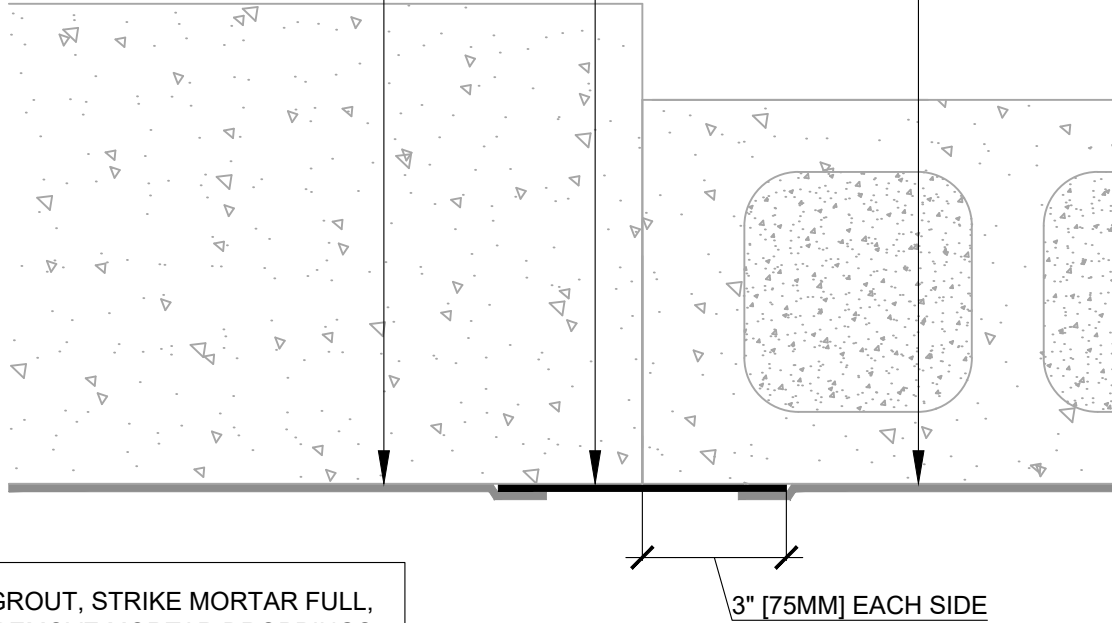
STPE-9B.1

THIS DETAIL IS INTENDED AS AN INSTALLATION GUIDE AND IS NOT TO SCALE. PROJECT NAME IS FOR SUBMITTAL PURPOSES ONLY. HENRY DOES NOT ASSUME RESPONSIBILITY FOR ERRORS OR DEVIATIONS IN DESIGN OR ENGINEERING. VERIFY PROJECT SPECIFIC SUITABILITY PRIOR TO INSTALLATION.

**AIR-BLOC ALL WEATHER STPE**

**HENRY SELF-ADHERED FLASHING  
OR HENRY LIQUID-APPLIED FLASHING**  
REFER TO DETAIL STPE-2A.1 AND  
STPE-2B.1 FOR AIR BARRIER  
TRANSITION GUIDELINES (SEE NOTE #2)

**AIR-BLOC ALL WEATHER STPE**



FILL GROUT, STRIKE MORTAR FULL,  
AND REMOVE MORTAR DROPPINGS  
TO CREATE A CONTINUOUS AND  
VOID FREE SUBSTRATE. MORTAR  
MAY BE TOOLED OR FLUSH WITH  
FACE OF BLOCK.

**NOTES**

1. DETAIL SHOWS HENRY **AIR-BLOC ALL WEATHER STPE VAPOR PERMEABLE AIR BARRIER**. SUBSTRATE SHOWN IS FOR REFERENCE ONLY. REFER TO PRODUCT SPECIFIC TECHNICAL DATA SHEET FOR ACCEPTABLE SUBSTRATES.
2. REFER TO DETAIL STPE-0A.1 FOR SYSTEM COMPONENTS. PRIMERS/ADHESIVES NOT SHOWN FOR CLARITY. REFER TO PRODUCT SPECIFIC TECHNICAL DATA SHEET FOR PRIMER/ADHESIVE RECOMMENDATIONS.
3. INSULATION, CLADDING, AND OPTIONAL INTERIOR VAPOR BARRIER NOT SHOWN FOR CLARITY. REFER TO LOCAL CODE ORDINANCES FOR INSULATION AND VAPOR BARRIER REQUIREMENTS.
4. REFER TO PRODUCT SPECIFIC TECHNICAL DATA SHEET, APPLICATION GUIDE, AND GUIDE SPECIFICATION FOR INSTALLATION PROCEDURES.



**HENRY AIR-BLOC ALL WEATHER STPE  
DISSIMILAR SUBSTRATES**

CMU TO CONCRETE  
GAPS UP TO 1/2" [13MM] WIDE MAXIMUM

**PROJECT NAME**

02-01-2024

**STPE-9C.1**

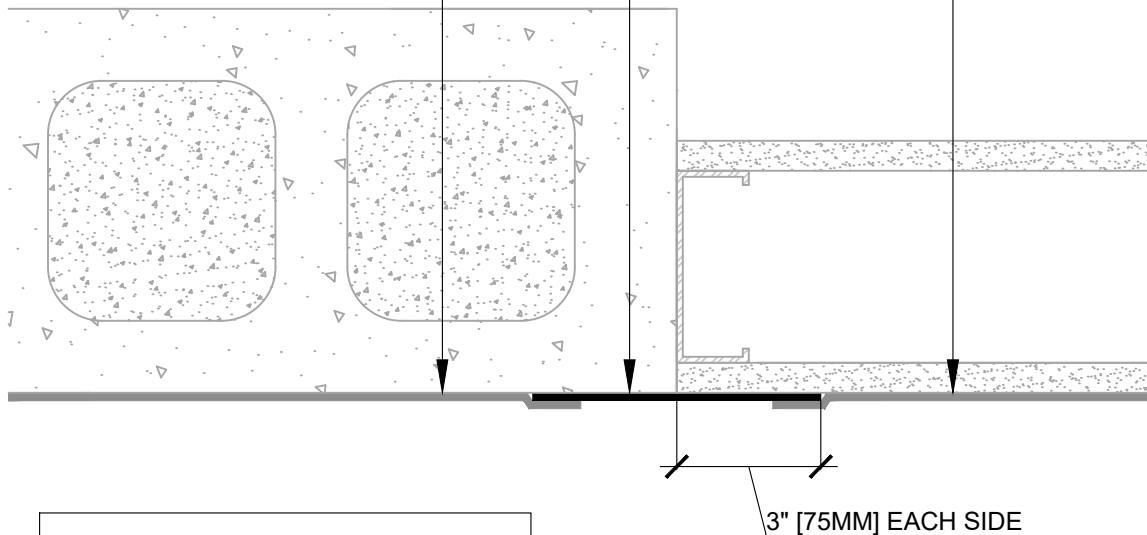
THIS DETAIL IS INTENDED AS AN INSTALLATION GUIDE AND IS NOT TO SCALE. PROJECT NAME IS FOR SUBMITTAL PURPOSES ONLY. HENRY DOES NOT ASSUME RESPONSIBILITY FOR ERRORS OR DEVIATIONS IN DESIGN OR ENGINEERING. VERIFY PROJECT SPECIFIC SUITABILITY PRIOR TO INSTALLATION.



**AIR-BLOC ALL WEATHER STPE**

**HENRY SELF-ADHERED FLASHING  
OR HENRY LIQUID-APPLIED FLASHING**  
REFER TO DETAIL STPE-2A.1 AND STPE-2B.1  
FOR AIR BARRIER TRANSITION GUIDELINES  
(SEE NOTE #2)

**AIR-BLOC ALL WEATHER STPE**



FILL GROUT, STRIKE MORTAR FULL,  
AND REMOVE MORTAR DROPPINGS  
TO CREATE A CONTINUOUS AND  
VOID FREE SUBSTRATE. MORTAR  
MAY BE TOOLED OR FLUSH WITH  
FACE OF BLOCK.

**NOTES**

1. DETAIL SHOWS HENRY **AIR-BLOC ALL WEATHER STPE VAPOR PERMEABLE AIR BARRIER**. SUBSTRATE SHOWN IS FOR REFERENCE ONLY. REFER TO PRODUCT SPECIFIC TECHNICAL DATA SHEET FOR ACCEPTABLE SUBSTRATES.
2. REFER TO DETAIL STPE-0A.1 FOR SYSTEM COMPONENTS. PRIMERS/ADHESIVES NOT SHOWN FOR CLARITY. REFER TO PRODUCT SPECIFIC TECHNICAL DATA SHEET FOR PRIMER/ADHESIVE RECOMMENDATIONS.
3. INSULATION, CLADDING, AND OPTIONAL INTERIOR VAPOR BARRIER NOT SHOWN FOR CLARITY. REFER TO LOCAL CODE ORDINANCES FOR INSULATION AND VAPOR BARRIER REQUIREMENTS.
4. REFER TO PRODUCT SPECIFIC TECHNICAL DATA SHEET, APPLICATION GUIDE, AND GUIDE SPECIFICATION FOR INSTALLATION PROCEDURES.



**HENRY AIR-BLOC ALL WEATHER STPE  
DISSIMILAR SUBSTRATES**

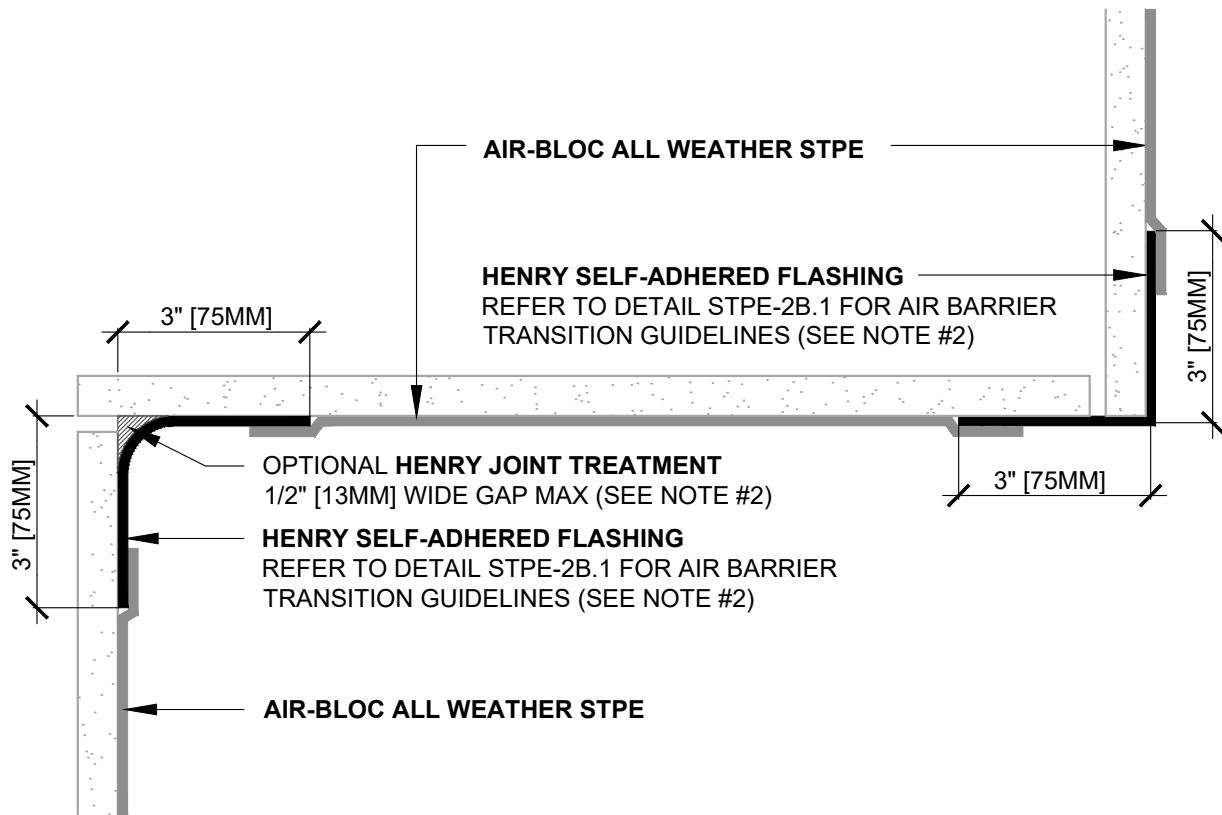
CMU TO STUD WALL  
GAPS UP TO 1/2" [13MM] WIDE MAXIMUM

PROJECT NAME

02-01-2024

STPE-9D.1

THIS DETAIL IS INTENDED AS AN INSTALLATION GUIDE AND IS NOT TO SCALE. PROJECT NAME IS FOR SUBMITTAL PURPOSES ONLY. HENRY DOES NOT ASSUME RESPONSIBILITY FOR ERRORS OR DEVIATIONS IN DESIGN OR ENGINEERING. VERIFY PROJECT SPECIFIC SUITABILITY PRIOR TO INSTALLATION.



**NOTES**

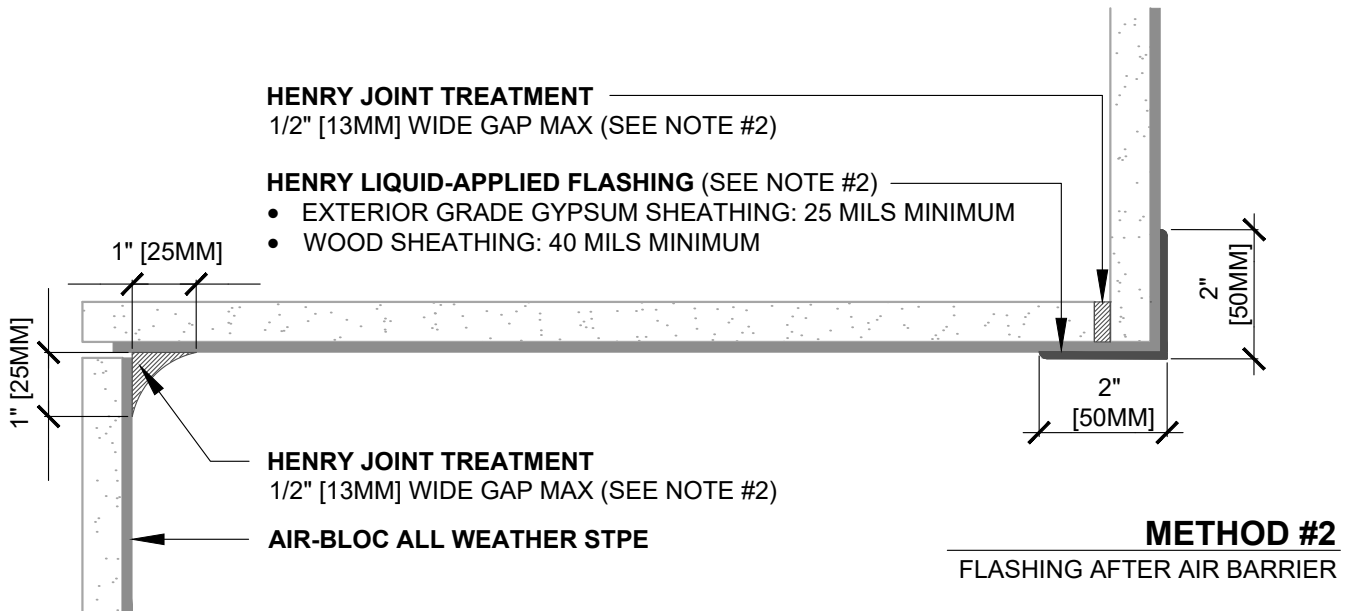
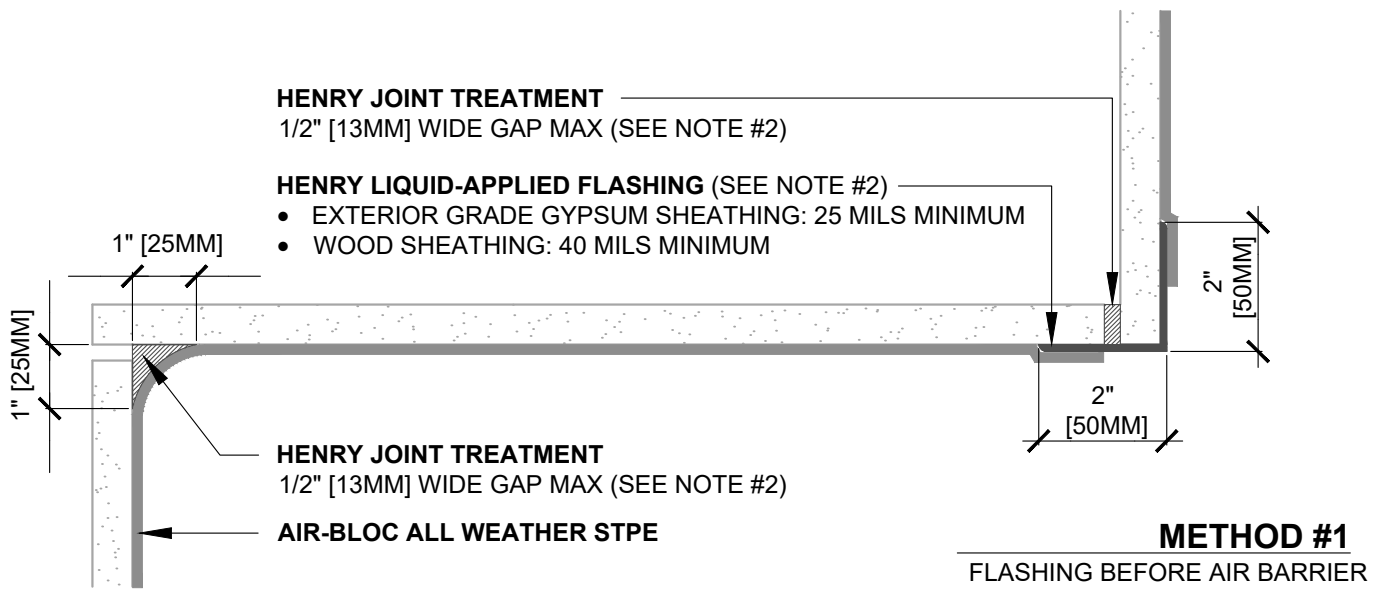
1. DETAIL SHOWS HENRY **AIR-BLOC ALL WEATHER STPE VAPOR PERMEABLE AIR BARRIER**. SUBSTRATE SHOWN IS FOR REFERENCE ONLY. REFER TO PRODUCT SPECIFIC TECHNICAL DATA SHEET FOR ACCEPTABLE SUBSTRATES.
2. REFER TO DETAIL STPE-0A.1 FOR SYSTEM COMPONENTS. PRIMERS/ADHESIVES NOT SHOWN FOR CLARITY. REFER TO PRODUCT SPECIFIC TECHNICAL DATA SHEET FOR PRIMER/ADHESIVE RECOMMENDATIONS.
3. INSULATION, CLADDING, AND OPTIONAL INTERIOR VAPOR BARRIER NOT SHOWN FOR CLARITY. REFER TO LOCAL CODE ORDINANCES FOR INSULATION AND VAPOR BARRIER REQUIREMENTS.
4. REFER TO PRODUCT SPECIFIC TECHNICAL DATA SHEET, APPLICATION GUIDE, AND GUIDE SPECIFICATION FOR INSTALLATION PROCEDURES.



**HENRY AIR-BLOC ALL WEATHER STPE**  
**INSIDE/OUTSIDE CORNERS**  
 EXTERIOR GRADE GYPSUM OR WOOD SHEATHING  
 SELF-ADHERED FLASHING

<b>PROJECT NAME</b>	
02-01-2024	<b>STPE-10A.1</b>

THIS DETAIL IS INTENDED AS AN INSTALLATION GUIDE AND IS NOT TO SCALE. PROJECT NAME IS FOR SUBMITTAL PURPOSES ONLY. HENRY DOES NOT ASSUME RESPONSIBILITY FOR ERRORS OR DEVIATIONS IN DESIGN OR ENGINEERING. VERIFY PROJECT SPECIFIC SUITABILITY PRIOR TO INSTALLATION.



**NOTES**

1. DETAIL SHOWS HENRY **AIR-BLOC ALL WEATHER STPE VAPOR PERMEABLE AIR BARRIER**. REFER TO PRODUCT SPECIFIC TECHNICAL DATA SHEET FOR ACCEPTABLE SUBSTRATES.
2. REFER TO DETAIL STPE-0A.1 FOR SYSTEM COMPONENTS. PRIMERS/ADHESIVES NOT SHOWN FOR CLARITY. REFER TO PRODUCT SPECIFIC TECHNICAL DATA SHEET FOR PRIMER/ADHESIVE RECOMMENDATIONS.
3. INSULATION, CLADDING, AND OPTIONAL INTERIOR VAPOR BARRIER NOT SHOWN FOR CLARITY. REFER TO LOCAL CODE ORDINANCES FOR INSULATION AND VAPOR BARRIER REQUIREMENTS.
4. REFER TO PRODUCT SPECIFIC TECHNICAL DATA SHEET, APPLICATION GUIDE, AND GUIDE SPECIFICATION FOR INSTALLATION PROCEDURES.



**HENRY AIR-BLOC ALL WEATHER STPE**  
**INSIDE/OUTSIDE CORNERS**  
EXTERIOR GRADE GYPSUM OR WOOD SHEATHING  
LIQUID-APPLIED FLASHING

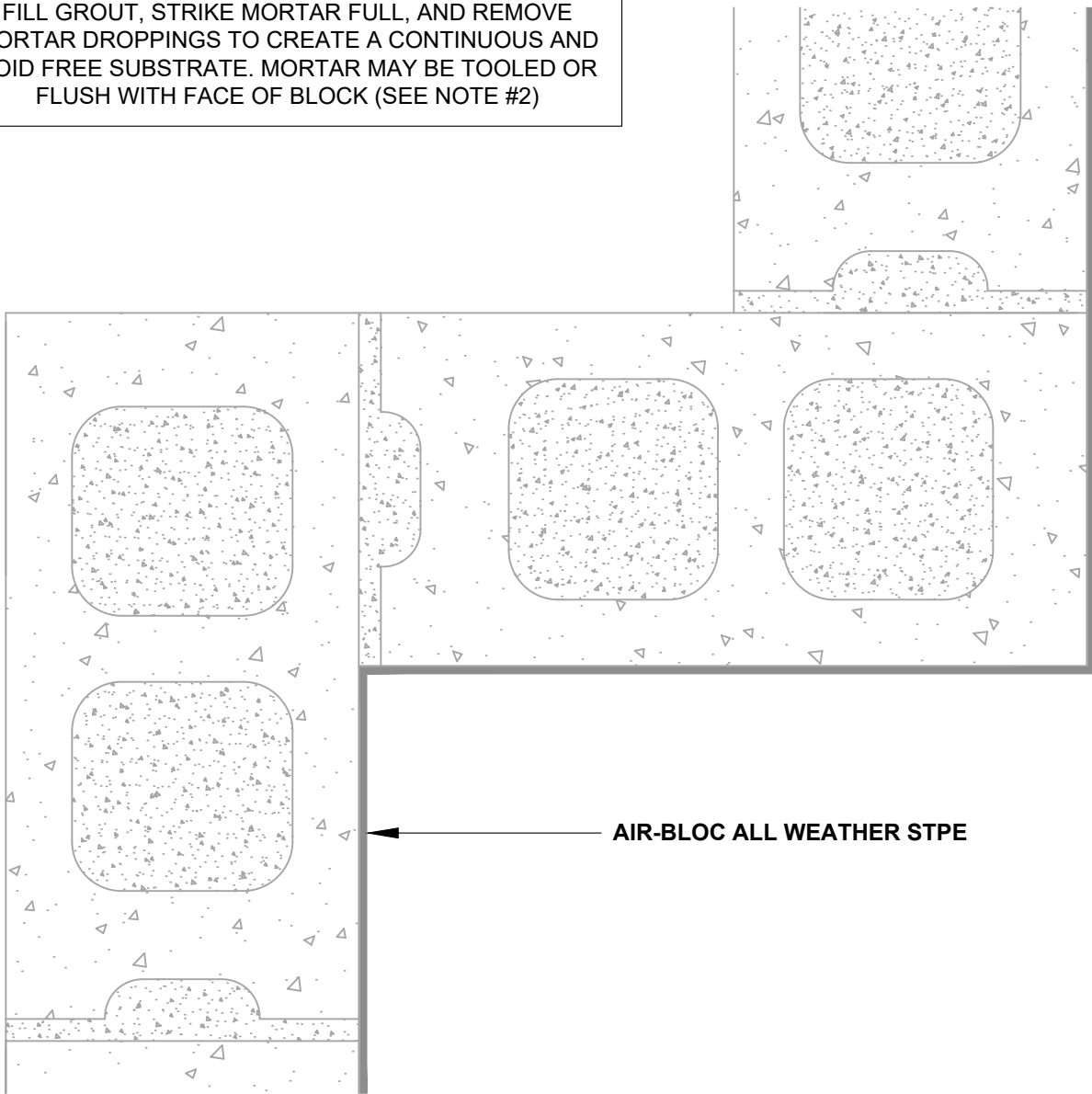
**PROJECT NAME**

02-01-2024

**STPE-10B.1**

THIS DETAIL IS INTENDED AS AN INSTALLATION GUIDE AND IS NOT TO SCALE. PROJECT NAME IS FOR SUBMITTAL PURPOSES ONLY. HENRY DOES NOT ASSUME RESPONSIBILITY FOR ERRORS OR DEVIATIONS IN DESIGN OR ENGINEERING. VERIFY PROJECT SPECIFIC SUITABILITY PRIOR TO INSTALLATION.

FILL GROUT, STRIKE MORTAR FULL, AND REMOVE MORTAR DROPPINGS TO CREATE A CONTINUOUS AND VOID FREE SUBSTRATE. MORTAR MAY BE TOOLED OR FLUSH WITH FACE OF BLOCK (SEE NOTE #2)



AIR-BLOC ALL WEATHER STPE

**NOTES**

1. DETAIL SHOWS HENRY **AIR-BLOC ALL WEATHER STPE VAPOR PERMEABLE AIR BARRIER**. SUBSTRATE SHOWN IS FOR REFERENCE ONLY. REFER TO PRODUCT SPECIFIC TECHNICAL DATA SHEET FOR ACCEPTABLE SUBSTRATES.
2. REFER TO DETAIL STPE-0A.1 FOR SYSTEM COMPONENTS.
3. INSULATION, CLADDING, AND OPTIONAL INTERIOR VAPOR BARRIER NOT SHOWN FOR CLARITY. REFER TO LOCAL CODE ORDINANCES FOR INSULATION AND VAPOR BARRIER REQUIREMENTS.
4. REFER TO PRODUCT SPECIFIC TECHNICAL DATA SHEET, APPLICATION GUIDE, AND GUIDE SPECIFICATION FOR INSTALLATION PROCEDURES.



**HENRY AIR-BLOC ALL WEATHER STPE**

**INSIDE/OUTSIDE CORNERS**

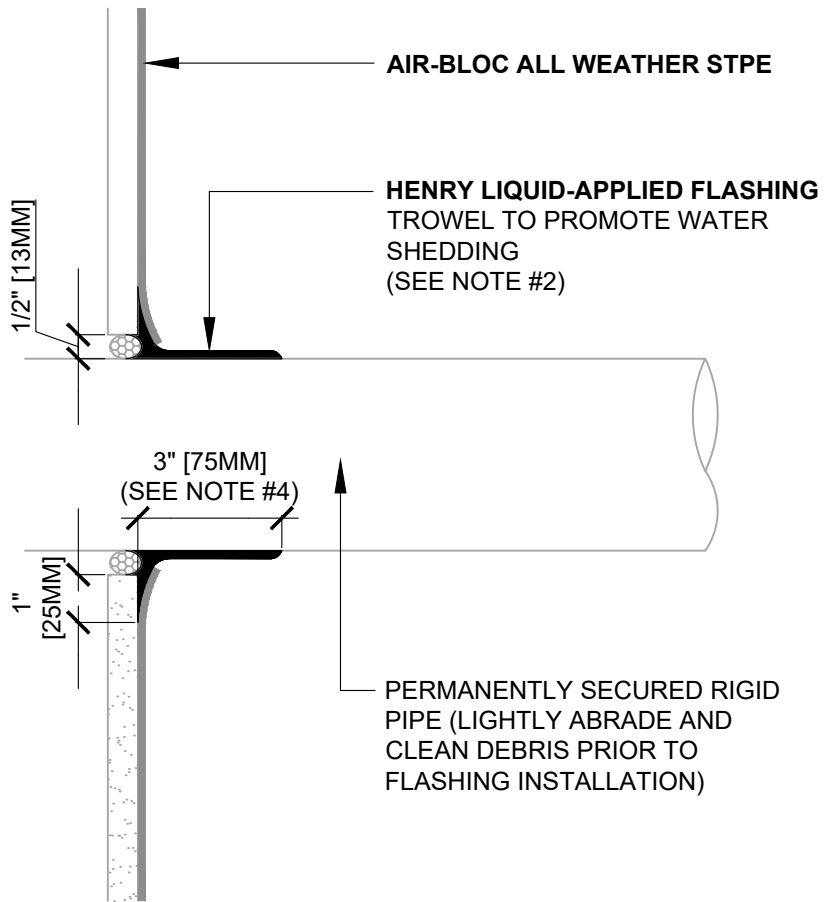
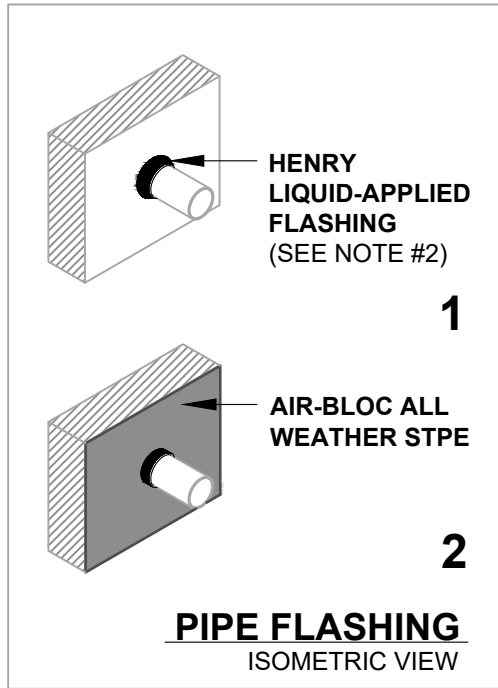
TYPICAL AIR BARRIER INSTALLATION  
CMU SUBSTRATES

PROJECT NAME

02-01-2024

**STPE-10C.1**

THIS DETAIL IS INTENDED AS AN INSTALLATION GUIDE AND IS NOT TO SCALE. PROJECT NAME IS FOR SUBMITTAL PURPOSES ONLY. HENRY DOES NOT ASSUME RESPONSIBILITY FOR ERRORS OR DEVIATIONS IN DESIGN OR ENGINEERING. VERIFY PROJECT SPECIFIC SUITABILITY PRIOR TO INSTALLATION.



**NOTES**

1. DETAIL SHOWS HENRY **AIR-BLOC ALL WEATHER STPE VAPOR PERMEABLE AIR BARRIER**. SUBSTRATE SHOWN IS FOR REFERENCE ONLY. REFER TO PRODUCT SPECIFIC TECHNICAL DATA SHEET FOR ACCEPTABLE SUBSTRATES.
2. REFER TO DETAIL STPE-0A.1 FOR SYSTEM COMPONENTS. PRIMERS/ADHESIVES NOT SHOWN FOR CLARITY. REFER TO PRODUCT SPECIFIC TECHNICAL DATA SHEET FOR PRIMER/ADHESIVE RECOMMENDATIONS.
3. ENCAPSULATE CUT/RAW EDGES OF EXPOSED GYPSUM SHEATHING CORE WITH HENRY PRIMER/ADHESIVE PRIOR TO HENRY JOINT TREATMENT INSTALLATION.
4. THIN CLADDING SYSTEMS: STOP FLASHING 1/2" [13MM] FROM ANTICIPATED EXTERIOR FACE OF CLADDING.
5. INSULATION, CLADDING, AND OPTIONAL INTERIOR VAPOR BARRIER NOT SHOWN FOR CLARITY. REFER TO LOCAL CODE ORDINANCES FOR INSULATION AND VAPOR BARRIER REQUIREMENTS.
6. REFER TO PRODUCT SPECIFIC TECHNICAL DATA SHEET, APPLICATION GUIDE, AND GUIDE SPECIFICATION FOR INSTALLATION PROCEDURES.



**HENRY AIR-BLOC ALL WEATHER STPE**

**PIPE PENETRATION**

SUBSTRATE GAPS UP TO 1/2" [13MM] WIDE MAXIMUM  
HENRY LIQUID-APPLIED FLASHING

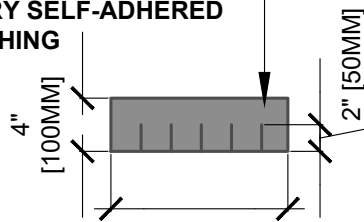
**PROJECT NAME**

02-01-2024

**STPE-11A.1**

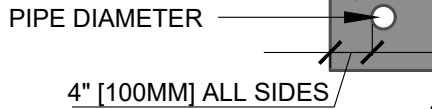
THIS DETAIL IS INTENDED AS AN INSTALLATION GUIDE AND IS NOT TO SCALE. PROJECT NAME IS FOR SUBMITTAL PURPOSES ONLY. HENRY DOES NOT ASSUME RESPONSIBILITY FOR ERRORS OR DEVIATIONS IN DESIGN OR ENGINEERING. VERIFY PROJECT SPECIFIC SUITABILITY PRIOR TO INSTALLATION.

**FINGER FLASHING:  
HENRY SELF-ADHERED  
FLASHING**

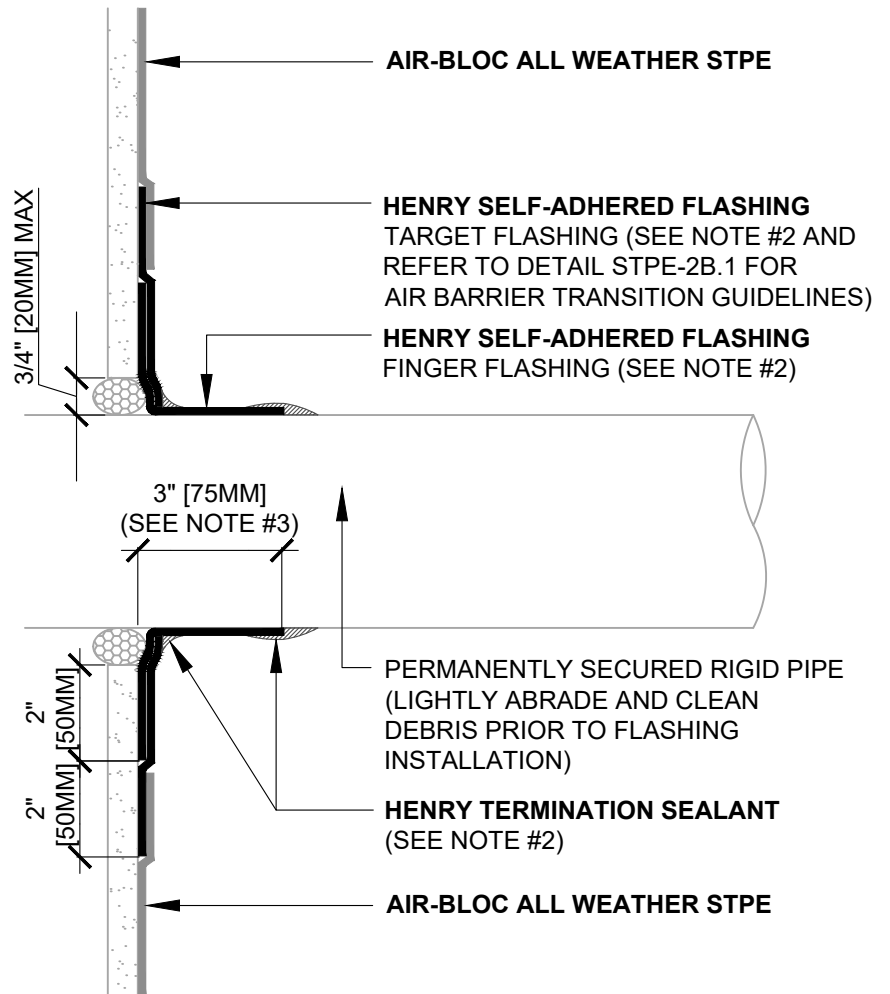
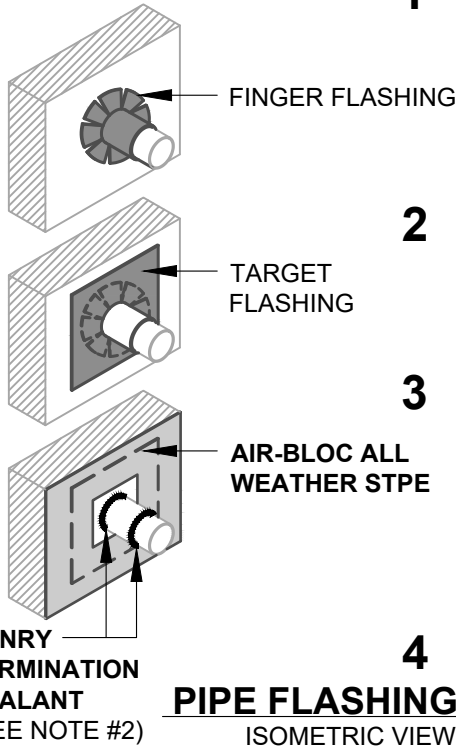


PIPE CIRCUMFERENCE +1" [25MM]

**TARGET FLASHING:  
HENRY SELF-ADHERED  
FLASHING (SEE NOTE #2)**



4" [100MM] ALL SIDES



**NOTES**

1. DETAIL SHOWS HENRY AIR-BLOC ALL WEATHER STEPE VAPOR PERMEABLE AIR BARRIER. SUBSTRATE SHOWN IS FOR REFERENCE ONLY. REFER TO PRODUCT SPECIFIC TECHNICAL DATA SHEET FOR ACCEPTABLE SUBSTRATES.
2. REFER TO DETAIL STEPE-0A.1 FOR SYSTEM COMPONENTS. PRIMERS/ADHESIVES NOT SHOWN FOR CLARITY. REFER TO PRODUCT SPECIFIC TECHNICAL DATA SHEET FOR PRIMER/ADHESIVE RECOMMENDATIONS.
3. THIN CLADDING SYSTEMS: STOP FLASHING 1/2" [13MM] FROM ANTICIPATED EXTERIOR FACE OF CLADDING.
4. INSULATION, CLADDING, AND OPTIONAL INTERIOR VAPOR BARRIER NOT SHOWN FOR CLARITY. REFER TO LOCAL CODE ORDINANCES FOR INSULATION AND VAPOR BARRIER REQUIREMENTS.
5. REFER TO PRODUCT SPECIFIC TECHNICAL DATA SHEET, APPLICATION GUIDE, AND GUIDE SPECIFICATION FOR INSTALLATION PROCEDURES.



**HENRY AIR-BLOC ALL WEATHER STEPE**

**PIPE PENETRATION**

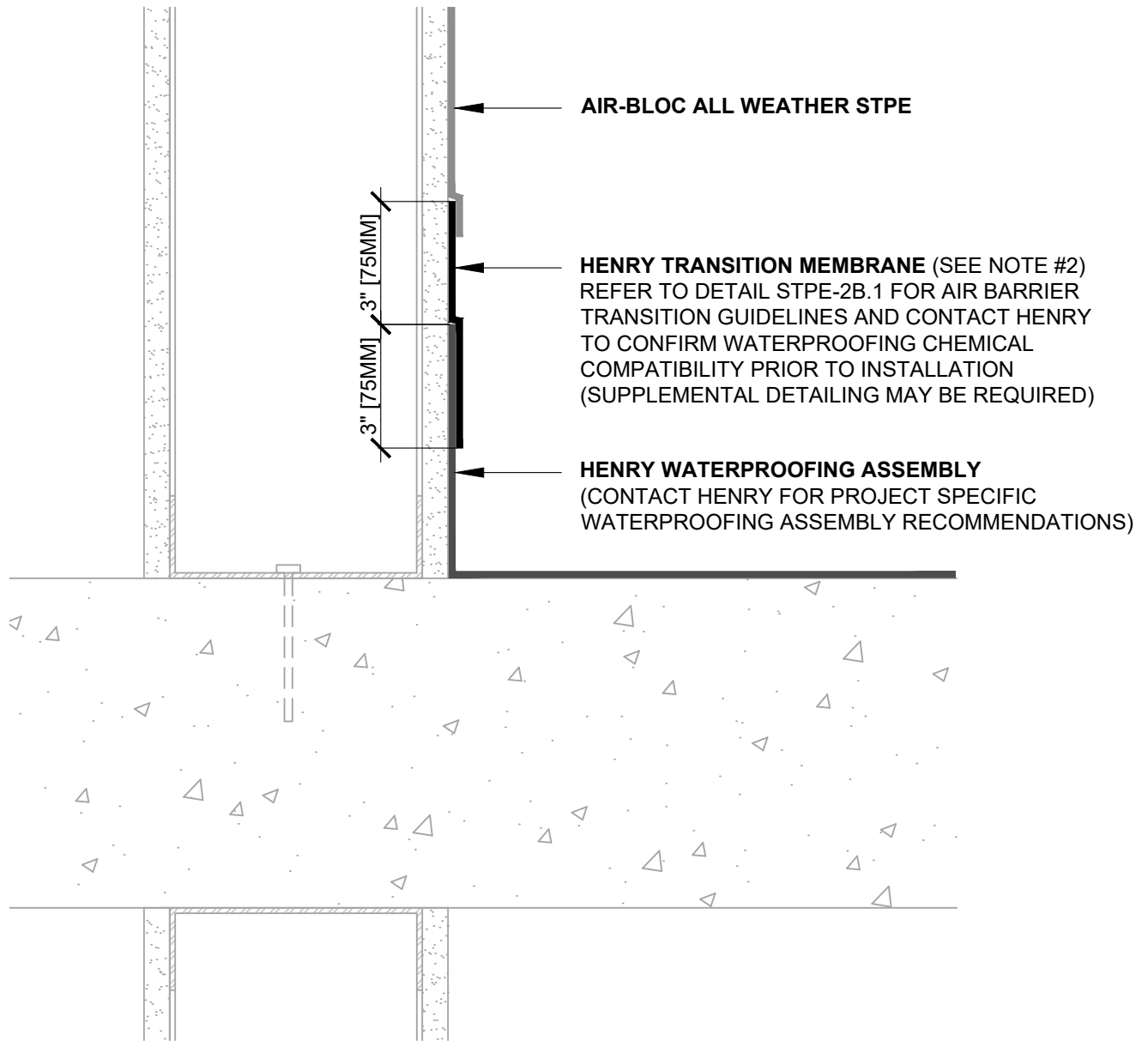
SUBSTRATE GAPS UP TO 3/4" [20MM] WIDE MAXIMUM SELF-ADHERED FLASHING

PROJECT NAME

02-01-2024

STPE-11B.1

THIS DETAIL IS INTENDED AS AN INSTALLATION GUIDE AND IS NOT TO SCALE. PROJECT NAME IS FOR SUBMITTAL PURPOSES ONLY. HENRY DOES NOT ASSUME RESPONSIBILITY FOR ERRORS OR DEVIATIONS IN DESIGN OR ENGINEERING. VERIFY PROJECT SPECIFIC SUITABILITY PRIOR TO INSTALLATION.



**NOTES**

1. DETAIL SHOWS HENRY **AIR-BLOC ALL WEATHER STPE VAPOR PERMEABLE AIR BARRIER**. SUBSTRATE SHOWN IS FOR REFERENCE ONLY. REFER TO PRODUCT SPECIFIC TECHNICAL DATA SHEET FOR ACCEPTABLE SUBSTRATES.
2. REFER TO DETAIL STPE-0A.1 FOR SYSTEM COMPONENTS. PRIMERS/ADHESIVES NOT SHOWN FOR CLARITY. REFER TO PRODUCT SPECIFIC TECHNICAL DATA SHEET FOR PRIMER/ADHESIVE RECOMMENDATIONS.
3. INSULATION, CLADDING, AND OPTIONAL INTERIOR VAPOR BARRIER NOT SHOWN FOR CLARITY. REFER TO LOCAL CODE ORDINANCES FOR INSULATION AND VAPOR BARRIER REQUIREMENTS.
4. REFER TO PRODUCT SPECIFIC TECHNICAL DATA SHEET, APPLICATION GUIDE, AND GUIDE SPECIFICATION FOR INSTALLATION PROCEDURES.



**HENRY AIR-BLOC ALL WEATHER STPE**

**AIR BARRIER TIE-IN**

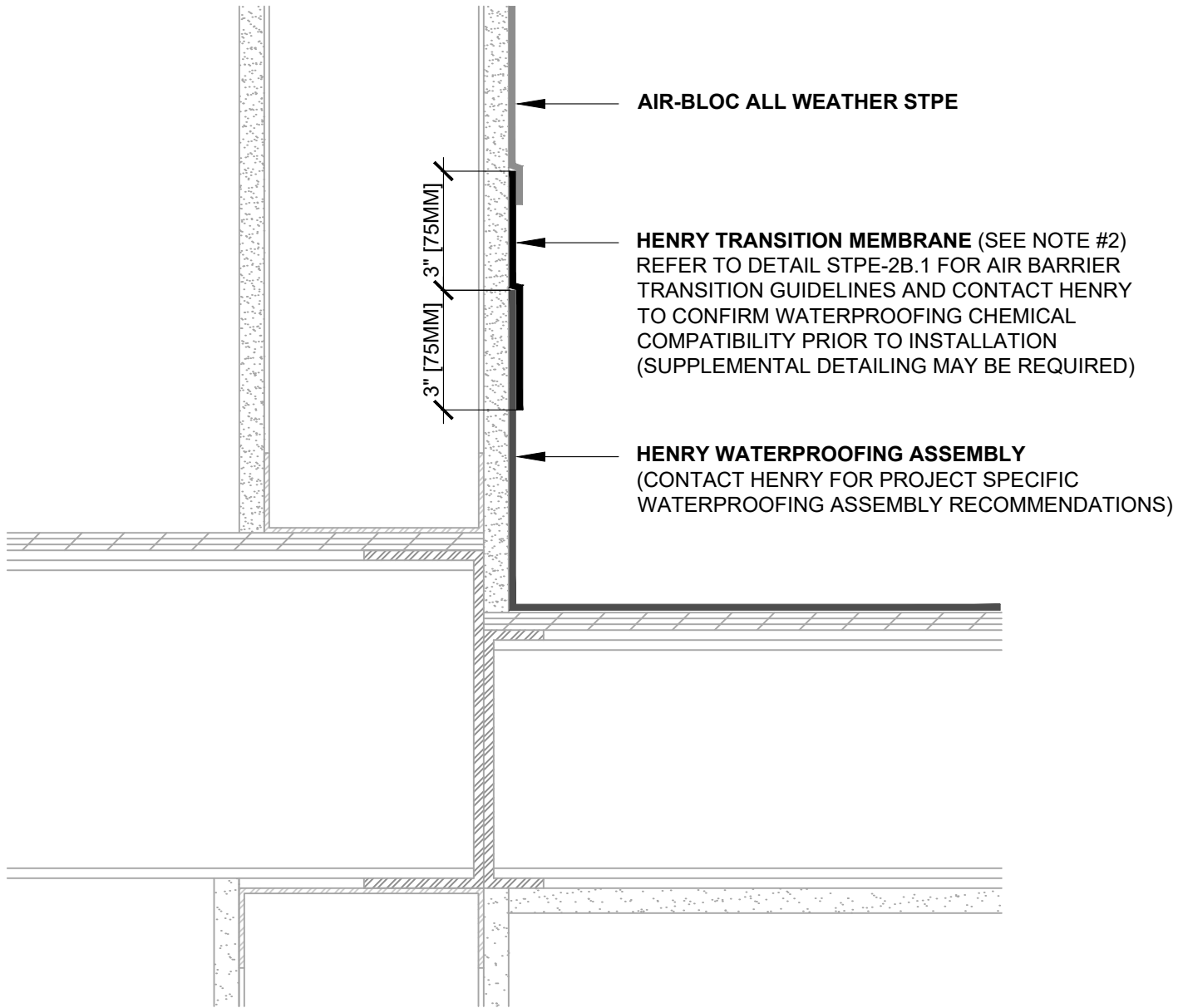
AIR BARRIER TIE-IN TO WATERPROOFING  
EXTERIOR WALL TRANSITION AT DECK

**PROJECT NAME**

02-01-2024

**STPE-12A.1**

THIS DETAIL IS INTENDED AS AN INSTALLATION GUIDE AND IS NOT TO SCALE. PROJECT NAME IS FOR SUBMITTAL PURPOSES ONLY. HENRY DOES NOT ASSUME RESPONSIBILITY FOR ERRORS OR DEVIATIONS IN DESIGN OR ENGINEERING. VERIFY PROJECT SPECIFIC SUITABILITY PRIOR TO INSTALLATION.



**NOTES**

1. DETAIL SHOWS HENRY **AIR-BLOC ALL WEATHER STPE VAPOR PERMEABLE AIR BARRIER**. SUBSTRATE SHOWN IS FOR REFERENCE ONLY. REFER TO PRODUCT SPECIFIC TECHNICAL DATA SHEET FOR ACCEPTABLE SUBSTRATES.
2. REFER TO DETAIL STPE-0A.1 FOR SYSTEM COMPONENTS. PRIMERS/ADHESIVES NOT SHOWN FOR CLARITY. REFER TO PRODUCT SPECIFIC TECHNICAL DATA SHEET FOR PRIMER/ADHESIVE RECOMMENDATIONS.
3. INSULATION, CLADDING, AND OPTIONAL INTERIOR VAPOR BARRIER NOT SHOWN FOR CLARITY. REFER TO LOCAL CODE ORDINANCES FOR INSULATION AND VAPOR BARRIER REQUIREMENTS.
4. REFER TO PRODUCT SPECIFIC TECHNICAL DATA SHEET, APPLICATION GUIDE, AND GUIDE SPECIFICATION FOR INSTALLATION PROCEDURES.



**HENRY AIR-BLOC ALL WEATHER STPE**

**AIR BARRIER TIE-IN**

AIR BARRIER TIE-IN TO WATERPROOFING EXTERIOR WALL TRANSITION AT BALCONY

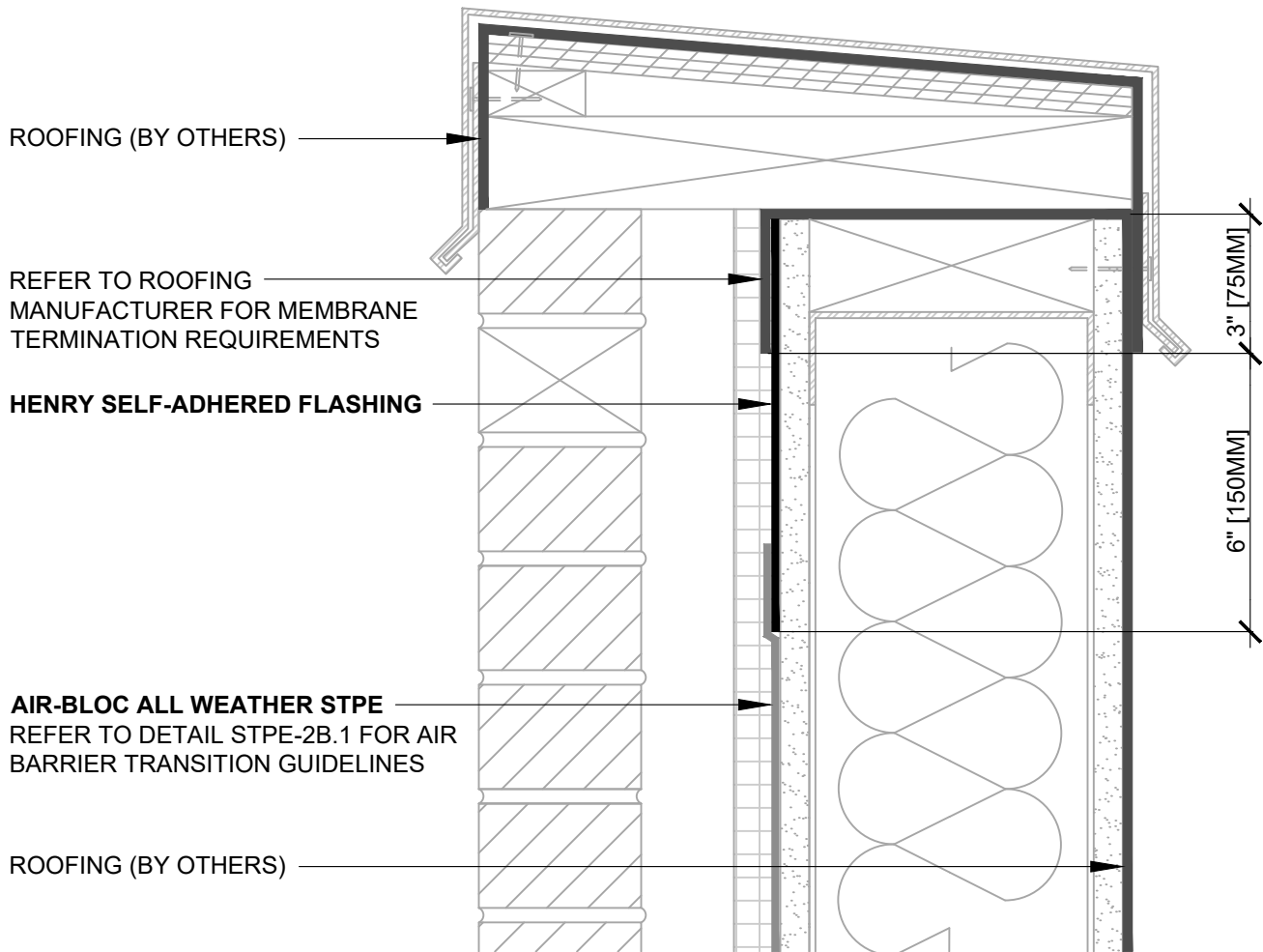
PROJECT NAME

02-01-2024

**STPE-12B.1**

THIS DETAIL IS INTENDED AS AN INSTALLATION GUIDE AND IS NOT TO SCALE. PROJECT NAME IS FOR SUBMITTAL PURPOSES ONLY. HENRY DOES NOT ASSUME RESPONSIBILITY FOR ERRORS OR DEVIATIONS IN DESIGN OR ENGINEERING. VERIFY PROJECT SPECIFIC SUITABILITY PRIOR TO INSTALLATION.





**NOTES**

1. DETAIL SHOWS HENRY **AIR-BLOC ALL WEATHER STPE VAPOR PERMEABLE AIR BARRIER**. SUBSTRATE SHOWN IS FOR REFERENCE ONLY. REFER TO PRODUCT SPECIFIC TECHNICAL DATA SHEET FOR ACCEPTABLE SUBSTRATES.
2. REFER TO DETAIL STPE-0A.1 FOR SYSTEM COMPONENTS.
3. OPTIONAL INTERIOR VAPOR BARRIER NOT SHOWN FOR CLARITY. REFER TO LOCAL CODE ORDINANCES FOR INSULATION AND VAPOR BARRIER REQUIREMENTS.
4. REFER TO PRODUCT SPECIFIC TECHNICAL DATA SHEET, APPLICATION GUIDE, AND GUIDE SPECIFICATION FOR INSTALLATION PROCEDURES.



**HENRY AIR-BLOC ALL WEATHER STPE**

**AIR BARRIER TIE-IN**

AIR BARRIER TIE-IN TO ROOFING  
EXTERIOR WALL TRANSITION AT PARAPET

PROJECT NAME

02-01-2024

**STPE-13A.1**

THIS DETAIL IS INTENDED AS AN INSTALLATION GUIDE AND IS NOT TO SCALE. PROJECT NAME IS FOR SUBMITTAL PURPOSES ONLY. HENRY DOES NOT ASSUME RESPONSIBILITY FOR ERRORS OR DEVIATIONS IN DESIGN OR ENGINEERING. VERIFY PROJECT SPECIFIC SUITABILITY PRIOR TO INSTALLATION.

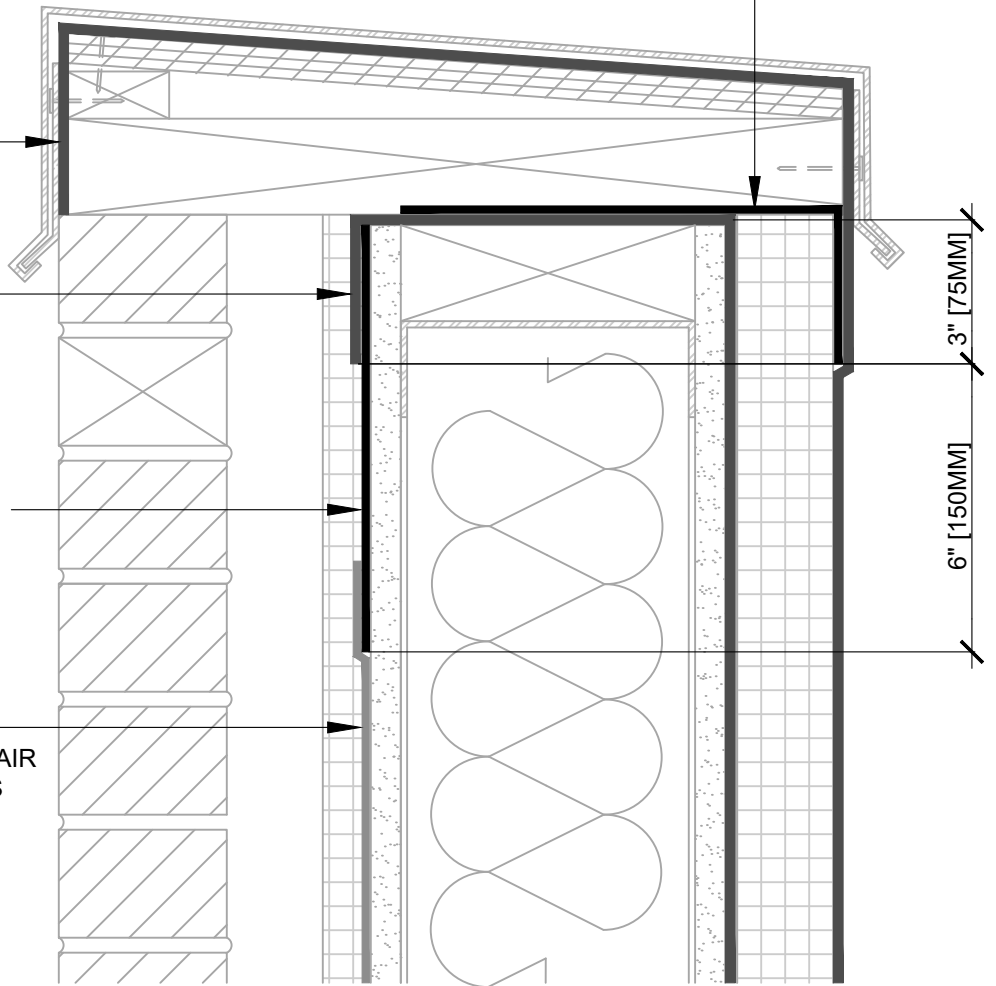
REFER TO ROOFING  
MANUFACTURER FOR TRANSITION  
MEMBRANE REQUIREMENTS

ROOFING (BY OTHERS)

VAPOR BARRIER AS REQUIRED  
(CONTACT HENRY FOR PRODUCT  
RECOMMENDATIONS AND TO  
CONFIRM CHEMICAL  
COMPATIBILITY PRIOR TO  
INSTALLATION)

HENRY SELF-ADHERED FLASHING

AIR-BLOC ALL WEATHER STPE  
REFER TO DETAIL STPE-2B.1 FOR AIR  
BARRIER TRANSITION GUIDELINES



**NOTES**

1. DETAIL SHOWS HENRY **AIR-BLOC ALL WEATHER STPE VAPOR PERMEABLE AIR BARRIER**. SUBSTRATE SHOWN IS FOR REFERENCE ONLY. REFER TO PRODUCT SPECIFIC TECHNICAL DATA SHEET FOR ACCEPTABLE SUBSTRATES.
2. REFER TO DETAIL STPE-0A.1 FOR SYSTEM COMPONENTS. PRIMERS/ADHESIVES NOT SHOWN FOR CLARITY. REFER TO PRODUCT SPECIFIC TECHNICAL DATA SHEET FOR PRIMER/ADHESIVE RECOMMENDATIONS.
3. OPTIONAL INTERIOR VAPOR BARRIER NOT SHOWN FOR CLARITY. REFER TO LOCAL CODE ORDINANCES FOR INSULATION AND VAPOR BARRIER REQUIREMENTS.
4. REFER TO PRODUCT SPECIFIC TECHNICAL DATA SHEET, APPLICATION GUIDE, AND GUIDE SPECIFICATION FOR INSTALLATION PROCEDURES.



**HENRY AIR-BLOC ALL WEATHER STPE**

**AIR BARRIER TIE-IN**

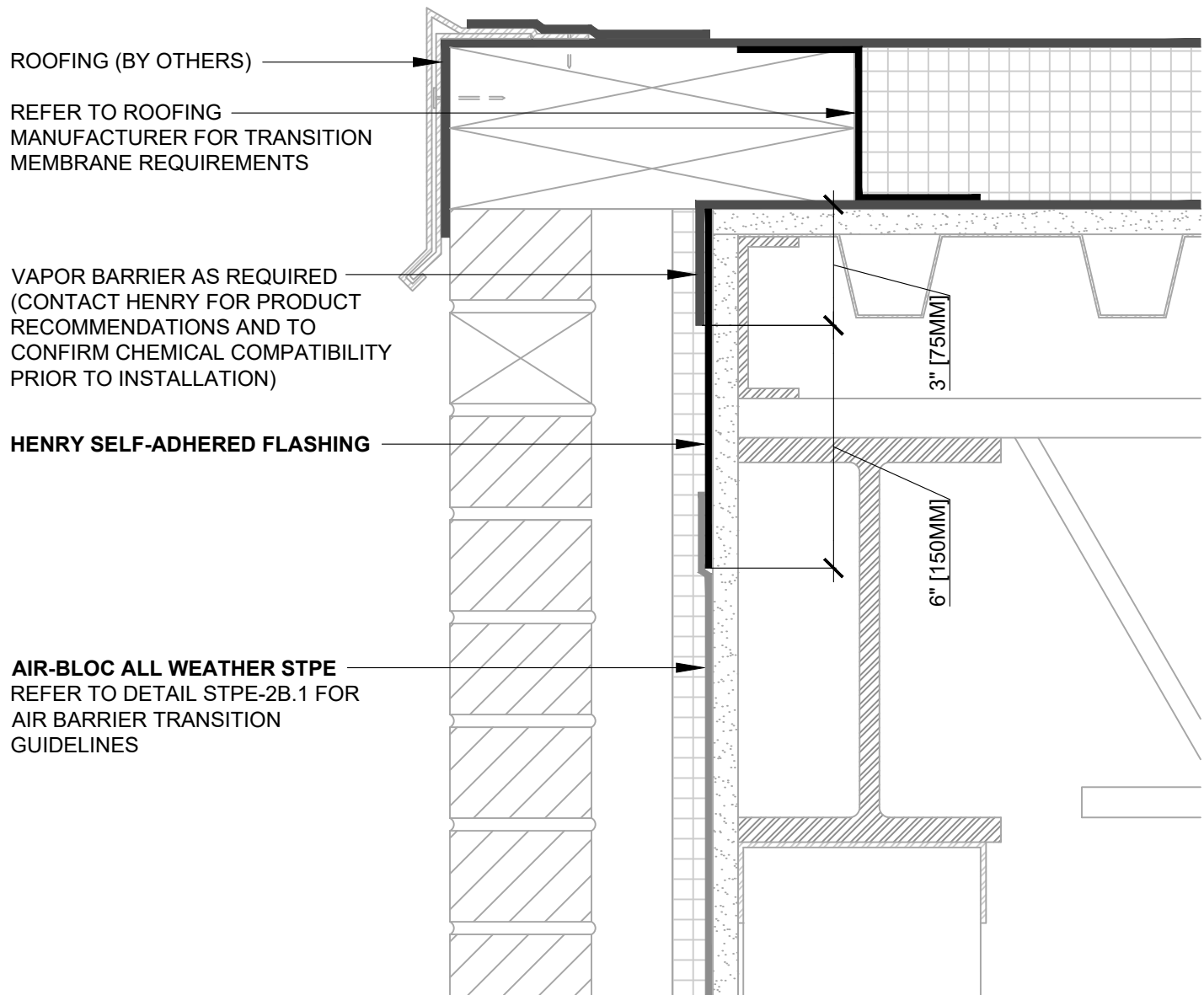
AIR BARRIER TIE-IN TO ROOFING  
EXTERIOR WALL TRANSITION AT PARAPET

PROJECT NAME

02-01-2024

STPE-13A.2

THIS DETAIL IS INTENDED AS AN INSTALLATION GUIDE AND IS NOT TO SCALE. PROJECT NAME IS FOR SUBMITTAL PURPOSES ONLY. HENRY DOES NOT ASSUME RESPONSIBILITY FOR ERRORS OR DEVIATIONS IN DESIGN OR ENGINEERING. VERIFY PROJECT SPECIFIC SUITABILITY PRIOR TO INSTALLATION.



**NOTES**

1. DETAIL SHOWS HENRY **AIR-BLOC ALL WEATHER STPE VAPOR PERMEABLE AIR BARRIER**. SUBSTRATE SHOWN IS FOR REFERENCE ONLY. REFER TO PRODUCT SPECIFIC TECHNICAL DATA SHEET FOR ACCEPTABLE SUBSTRATES.
2. REFER TO DETAIL STPE-0A.1 FOR SYSTEM COMPONENTS. PRIMERS/ADHESIVES NOT SHOWN FOR CLARITY. REFER TO PRODUCT SPECIFIC TECHNICAL DATA SHEET FOR PRIMER/ADHESIVE RECOMMENDATIONS.
3. OPTIONAL INTERIOR VAPOR BARRIER NOT SHOWN FOR CLARITY. REFER TO LOCAL CODE ORDINANCES FOR INSULATION AND VAPOR BARRIER REQUIREMENTS.
4. REFER TO PRODUCT SPECIFIC TECHNICAL DATA SHEET, APPLICATION GUIDE, AND GUIDE SPECIFICATION FOR INSTALLATION PROCEDURES.



**HENRY AIR-BLOC ALL WEATHER STPE**

**AIR BARRIER TIE-IN**

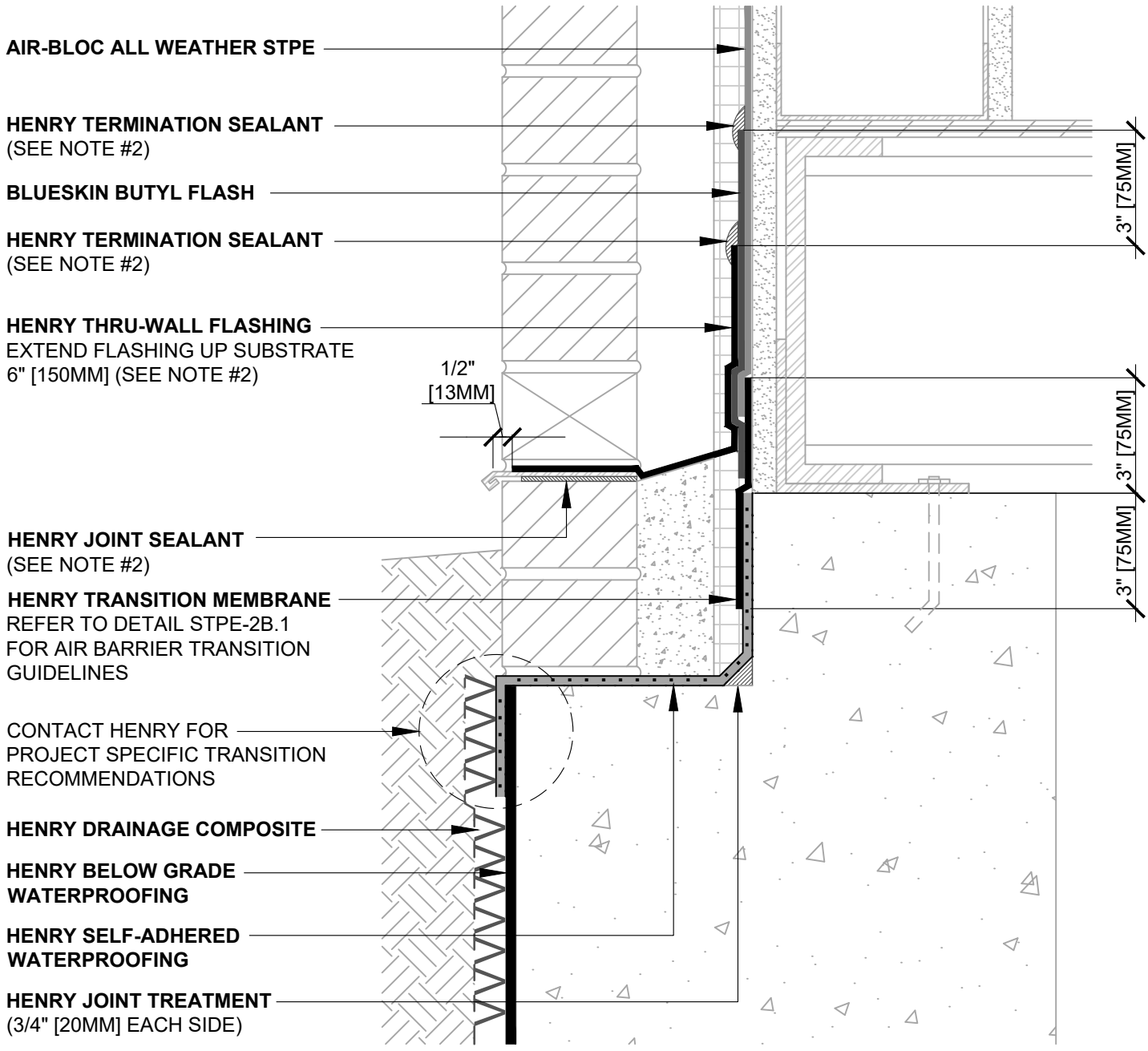
AIR BARRIER TIE-IN TO ROOFING  
EXTERIOR WALL TRANSITION AT DRIP EDGE

PROJECT NAME

02-01-2024

**STPE-13B.1**

THIS DETAIL IS INTENDED AS AN INSTALLATION GUIDE AND IS NOT TO SCALE. PROJECT NAME IS FOR SUBMITTAL PURPOSES ONLY. HENRY DOES NOT ASSUME RESPONSIBILITY FOR ERRORS OR DEVIATIONS IN DESIGN OR ENGINEERING. VERIFY PROJECT SPECIFIC SUITABILITY PRIOR TO INSTALLATION.



**AIR-BLOC ALL WEATHER STPE**

**HENRY TERMINATION SEALANT**  
(SEE NOTE #2)

**BLUESKIN BUTYL FLASH**

**HENRY TERMINATION SEALANT**  
(SEE NOTE #2)

**HENRY THRU-WALL FLASHING**  
EXTEND FLASHING UP SUBSTRATE  
6" [150MM] (SEE NOTE #2)

1/2"  
[13MM]

**HENRY JOINT SEALANT**  
(SEE NOTE #2)

**HENRY TRANSITION MEMBRANE**  
REFER TO DETAIL STPE-2B.1  
FOR AIR BARRIER TRANSITION  
GUIDELINES

CONTACT HENRY FOR  
PROJECT SPECIFIC TRANSITION  
RECOMMENDATIONS

**HENRY DRAINAGE COMPOSITE**

**HENRY BELOW GRADE  
WATERPROOFING**

**HENRY SELF-ADHERED  
WATERPROOFING**

**HENRY JOINT TREATMENT**  
(3/4" [20MM] EACH SIDE)

3" [75MM]

3" [75MM]

3" [75MM]

**NOTES**

1. DETAIL SHOWS HENRY **AIR-BLOC ALL WEATHER STPE VAPOR PERMEABLE AIR BARRIER**. SUBSTRATE SHOWN IS FOR REFERENCE ONLY. REFER TO PRODUCT SPECIFIC TECHNICAL DATA SHEET FOR ACCEPTABLE SUBSTRATES.
2. REFER TO DETAIL STPE-0A.1 FOR SYSTEM COMPONENTS. PRIMERS/ADHESIVES NOT SHOWN FOR CLARITY. REFER TO PRODUCT SPECIFIC TECHNICAL DATA SHEET FOR PRIMER/ADHESIVE RECOMMENDATIONS.
3. OPTIONAL INTERIOR VAPOR BARRIER NOT SHOWN FOR CLARITY. REFER TO LOCAL CODE ORDINANCES FOR INSULATION AND VAPOR BARRIER REQUIREMENTS.
4. REFER TO PRODUCT SPECIFIC TECHNICAL DATA SHEET, APPLICATION GUIDE, AND GUIDE SPECIFICATION FOR INSTALLATION PROCEDURES.



**HENRY AIR-BLOC ALL WEATHER STPE**

**AIR BARRIER TIE-IN**

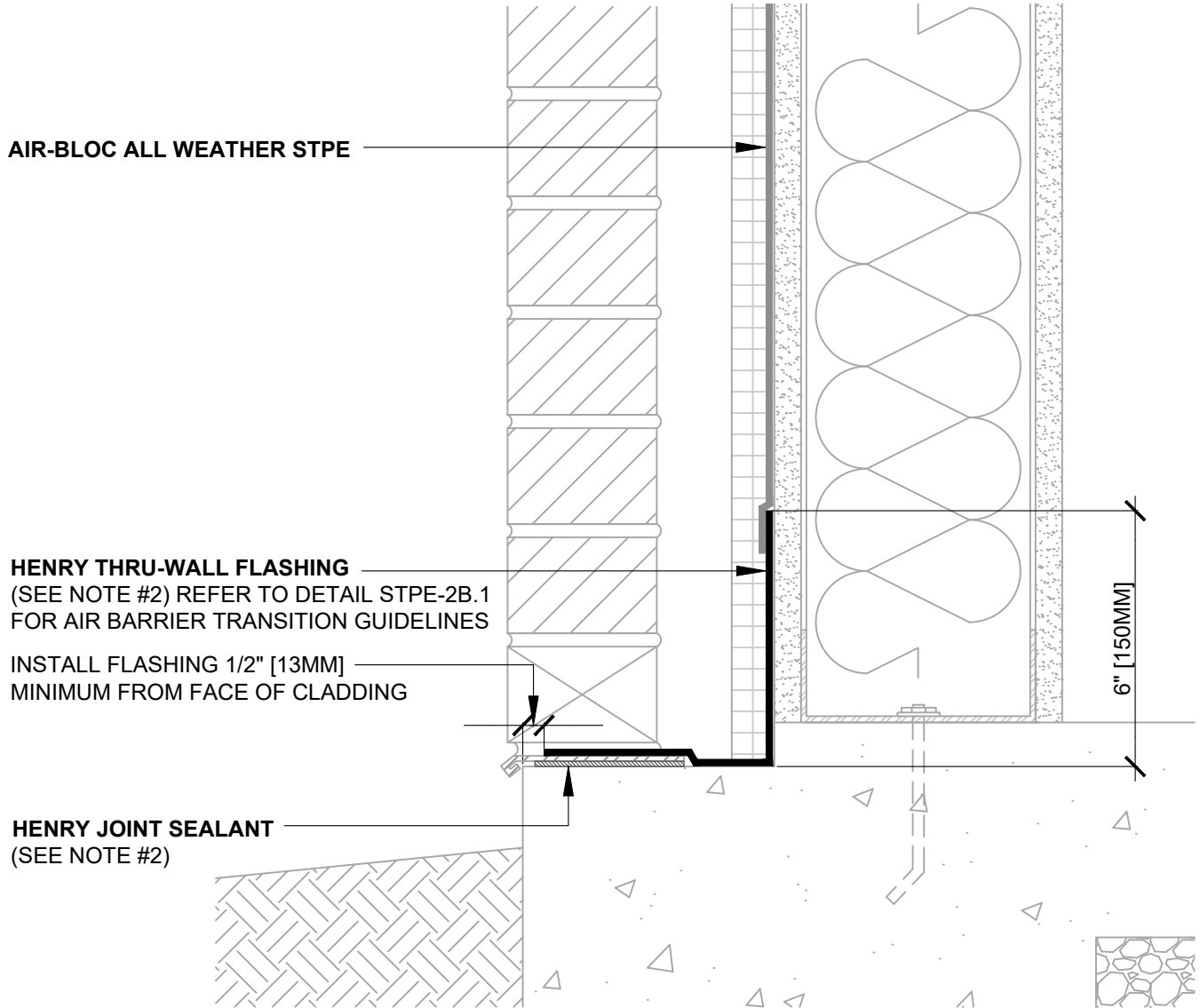
AIR BARRIER TIE-IN TO FOUNDATION  
SLAB BELOW GRADE

**PROJECT NAME**

02-01-2024

**STPE-14A.1**

THIS DETAIL IS INTENDED AS AN INSTALLATION GUIDE AND IS NOT TO SCALE. PROJECT NAME IS FOR SUBMITTAL PURPOSES ONLY. HENRY DOES NOT ASSUME RESPONSIBILITY FOR ERRORS OR DEVIATIONS IN DESIGN OR ENGINEERING. VERIFY PROJECT SPECIFIC SUITABILITY PRIOR TO INSTALLATION.



**NOTES**

1. DETAIL SHOWS HENRY **AIR-BLOC ALL WEATHER STPE VAPOR PERMEABLE AIR BARRIER**. SUBSTRATE SHOWN IS FOR REFERENCE ONLY. REFER TO PRODUCT SPECIFIC TECHNICAL DATA SHEET FOR ACCEPTABLE SUBSTRATES.
2. REFER TO DETAIL STPE-0A.1 FOR SYSTEM COMPONENTS. PRIMERS/ADHESIVES NOT SHOWN FOR CLARITY. REFER TO PRODUCT SPECIFIC TECHNICAL DATA SHEET FOR PRIMER/ADHESIVE RECOMMENDATIONS.
3. OPTIONAL INTERIOR VAPOR BARRIER NOT SHOWN FOR CLARITY. REFER TO LOCAL CODE ORDINANCES FOR INSULATION AND VAPOR BARRIER REQUIREMENTS.
4. REFER TO PRODUCT SPECIFIC TECHNICAL DATA SHEET, APPLICATION GUIDE, AND GUIDE SPECIFICATION FOR INSTALLATION PROCEDURES.



**HENRY AIR-BLOC ALL WEATHER STPE**

**AIR BARRIER TIE-IN**

AIR BARRIER TIE-IN TO FOUNDATION  
SLAB ON GRADE

**PROJECT NAME**

02-01-2024      **STPE-14B.1**

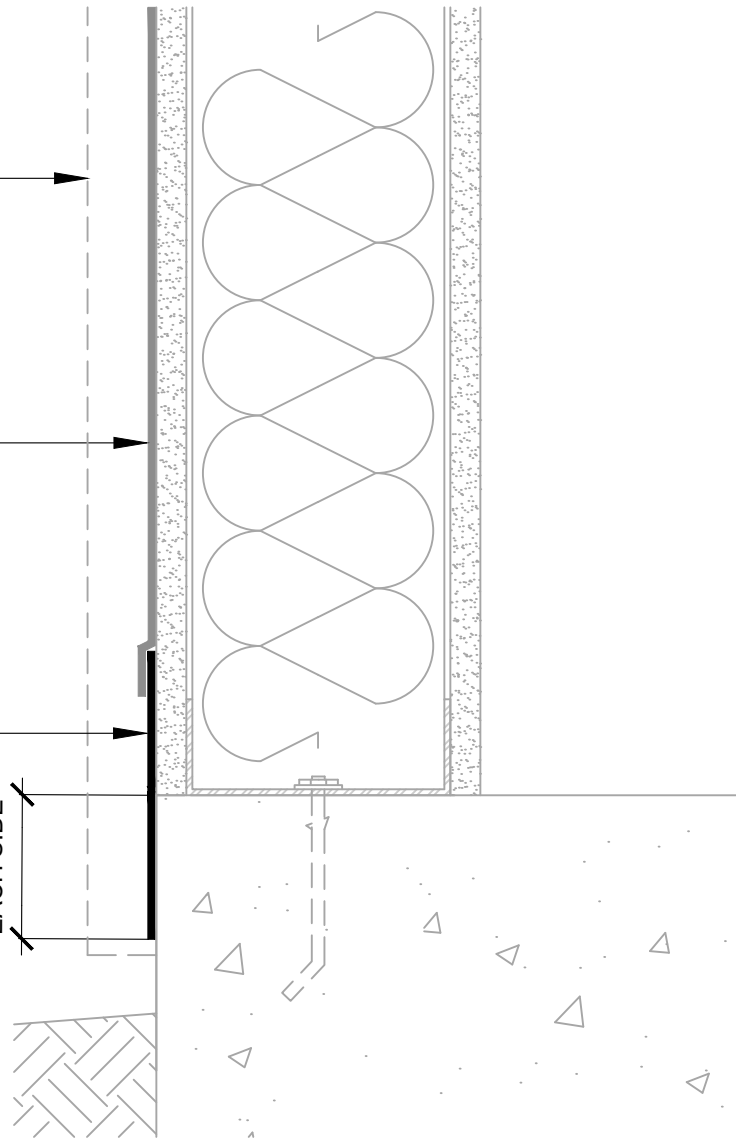
THIS DETAIL IS INTENDED AS AN INSTALLATION GUIDE AND IS NOT TO SCALE. PROJECT NAME IS FOR SUBMITTAL PURPOSES ONLY. HENRY DOES NOT ASSUME RESPONSIBILITY FOR ERRORS OR DEVIATIONS IN DESIGN OR ENGINEERING. VERIFY PROJECT SPECIFIC SUITABILITY PRIOR TO INSTALLATION.

CLADDING NOT SHOWN FOR CLARITY. PROTECT AIR BARRIER FROM INDEFINITE UV EXPOSURE.

AIR-BLOC ALL WEATHER STPE

HENRY SELF-ADHERED FLASHING  
REFER TO DETAIL STPE-2B.1 FOR AIR BARRIER TRANSITION GUIDELINES (SEE NOTE #2)

3" [75MM]  
EACH SIDE



**NOTES**

1. DETAIL SHOWS HENRY **AIR-BLOC ALL WEATHER STPE VAPOR PERMEABLE AIR BARRIER**. SUBSTRATE SHOWN IS FOR REFERENCE ONLY. REFER TO PRODUCT SPECIFIC TECHNICAL DATA SHEET FOR ACCEPTABLE SUBSTRATES.
2. REFER TO DETAIL STPE-0A.1 FOR SYSTEM COMPONENTS. PRIMERS/ADHESIVES NOT SHOWN FOR CLARITY. REFER TO PRODUCT SPECIFIC TECHNICAL DATA SHEET FOR PRIMER/ADHESIVE RECOMMENDATIONS.
3. OPTIONAL INTERIOR VAPOR BARRIER NOT SHOWN FOR CLARITY. REFER TO LOCAL CODE ORDINANCES FOR INSULATION AND VAPOR BARRIER REQUIREMENTS.
4. REFER TO PRODUCT SPECIFIC TECHNICAL DATA SHEET, APPLICATION GUIDE, AND GUIDE SPECIFICATION FOR INSTALLATION PROCEDURES.



**HENRY AIR-BLOC ALL WEATHER STPE**

**AIR BARRIER TIE-IN**

AIR BARRIER TIE-IN TO FOUNDATION  
NO MASONRY LEDGE

PROJECT NAME

02-01-2024

**STPE-14C.1**

THIS DETAIL IS INTENDED AS AN INSTALLATION GUIDE AND IS NOT TO SCALE. PROJECT NAME IS FOR SUBMITTAL PURPOSES ONLY. HENRY DOES NOT ASSUME RESPONSIBILITY FOR ERRORS OR DEVIATIONS IN DESIGN OR ENGINEERING. VERIFY PROJECT SPECIFIC SUITABILITY PRIOR TO INSTALLATION.