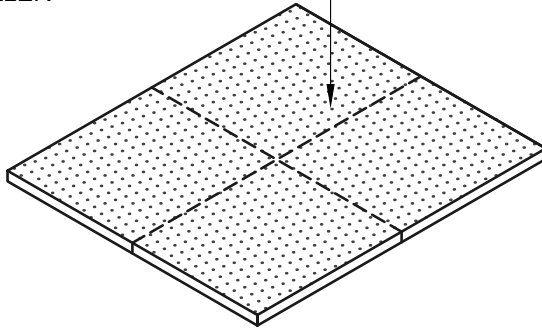
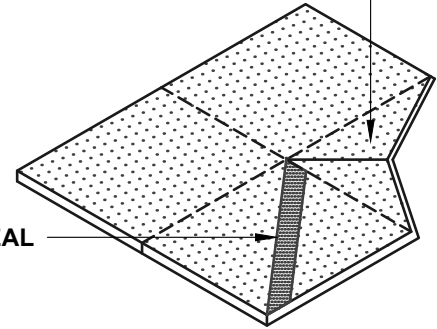


CREASE MEMBRANE VERTICALLY AND HORIZONTALLY WITH DIMPLED SURFACE GEOTEXTILE SIDE FACING THE INSTALLER



**1** CREASE FLASHING VERTICALLY AND HORIZONTALLY

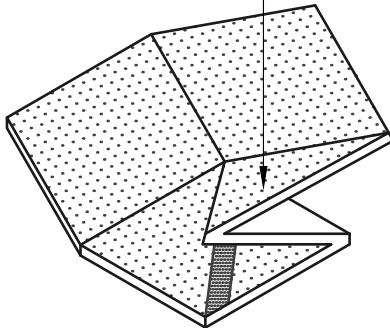
CREASE MEMBRANE AND FOLD DOWN



BLUESKIN PRESEAL TAPE 50S

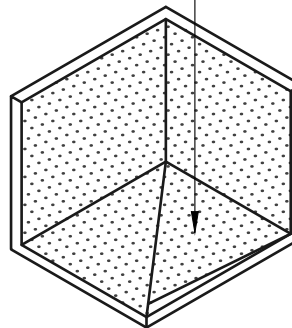
**2** FOLD ONE SQUARE INTO A TRIANGLE

ADHERE FOLDED MEMBRANE TO BLUESKIN PRESEAL TAPE 50S AND FIRMLY PRESS INTO PLACE



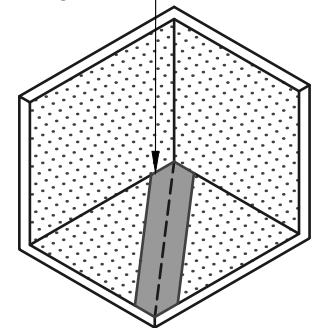
**3** FOLD BOTTOM CORNER ONTO ADJACENT PANEL

ROLL MEMBRANE WITH STEEL ROLLER TO ENSURE CONTINUOUS ADHESION



**4** PRESS TRIANGLE INTO PLACE

CENTER BLUESKIN PRESEAL TAPE 120V OVER SEAM, FIRMLY PRESS TAPE INTO PLACE AND ROLL WITH STEEL ROLLER TO ENSURE CONTINUOUS ADHESION



**5** APPLY BLUESKIN PRESEAL TAPE 120V AT SEAM

### CREATING AN INSIDE CORNER

PRE-APPLIED WATERPROOFING

NOTES:

1. DETAIL SHOWS HENRY PRE-APPLIED WATERPROOFING SYSTEM FOR APPLICATIONS USING HENRY **BLUESKIN PRESEAL 320** OR **BLUESKIN PRESEAL 435**. SUBSTRATE SHOWN IS FOR REFERENCE ONLY.
2. REFER TO PRODUCT SPECIFIC TECHNICAL DATA SHEET (TDS) AND GUIDE SPECIFICATION FOR INSTALLATION PROCEDURES.

**Henry**<sup>®</sup>

999 N. Pacific Coast Highway, Suite 800  
El Segundo, CA 90245  
800-486-1278 • www.henry.com

MANUFACTURER GUIDE DETAILS ARE FOR REFERENCE ONLY. HENRY DOES NOT ASSUME RESPONSIBILITY FOR ERRORS OR DEVIATIONS IN DESIGN OR ENGINEERING. PROJECT SPECIFIC VERIFICATION IS RECOMMENDED PRIOR TO INSTALLATION.

**HENRY PRE-APPLIED WATERPROOFING SYSTEM**

**INSIDE CORNERS**

**BLUESKIN PRESEAL 320 OR BLUESKIN PRESEAL 435  
INSIDE CORNERS**

SCALE: N.T.S.

11-20-2020

**BSPS-3D**