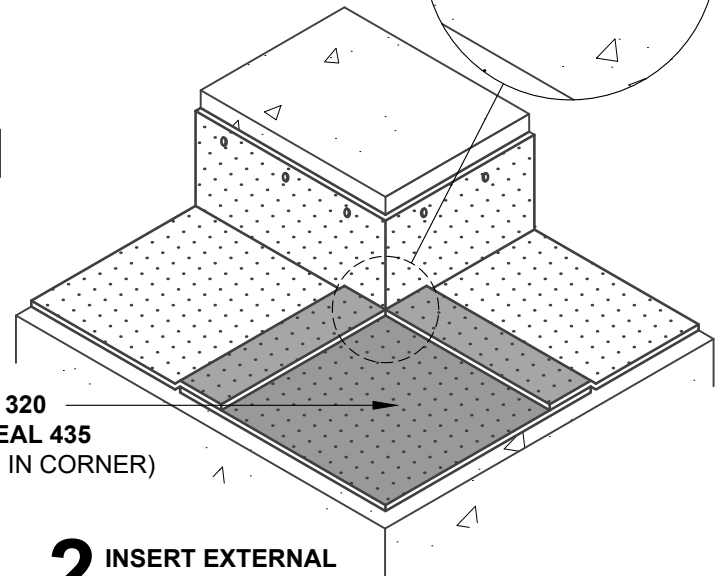
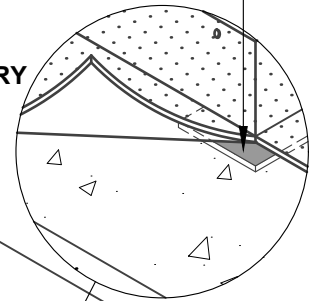


1 TEMPORARILY SECURE CORNER FLASHING

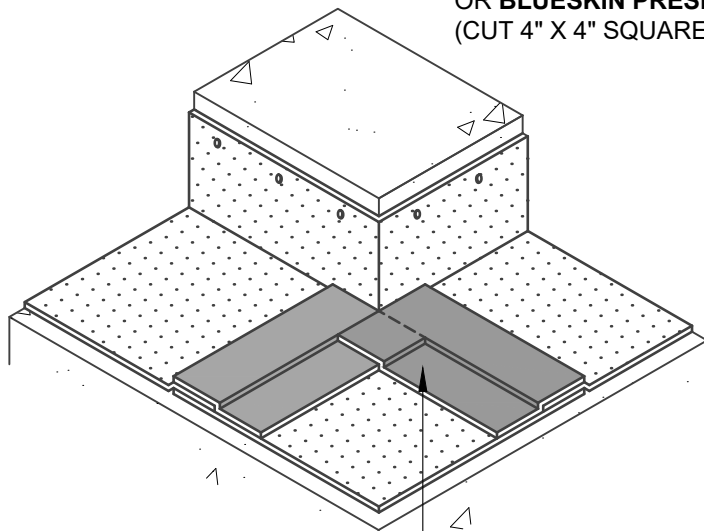
BLUESKIN PRESEAL 320 OR BLUESKIN PRESEAL 435
 TEMPORARILY SECURE MEMBRANE WITH SHORT NAILS (REFER TO **BLUESKIN PRESEAL** INSTALLATION MANUAL)

PRE-TREAT AND SEAL CORNER WITH **HENRY 925 BES SEALANT**



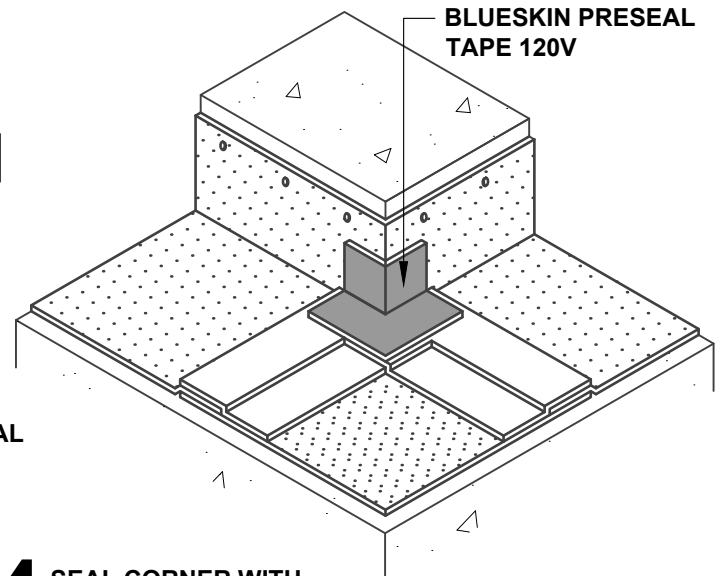
2 INSERT EXTERNAL CORNER FLASHING

BLUESKIN PRESEAL 320 OR BLUESKIN PRESEAL 435
 (CUT 4" X 4" SQUARE IN CORNER)



3 TAPE CORNER FLASHING SEAMS

BLUESKIN PRESEAL TAPE 120V



4 SEAL CORNER WITH **BLUESKIN PRESEAL TAPE 120V**

NOTES:

1. DETAIL SHOWS HENRY PRE-APPLIED WATERPROOFING SYSTEM FOR APPLICATIONS USING HENRY **BLUESKIN PRESEAL 320** OR **BLUESKIN PRESEAL 435**. SUBSTRATE SHOWN IS FOR REFERENCE ONLY.
2. REFER TO PRODUCT SPECIFIC TECHNICAL DATA SHEET (TDS) AND GUIDE SPECIFICATION FOR INSTALLATION PROCEDURES.

MANUFACTURER GUIDE DETAILS ARE FOR REFERENCE ONLY. HENRY DOES NOT ASSUME RESPONSIBILITY FOR ERRORS OR DEVIATIONS IN DESIGN OR ENGINEERING. PROJECT SPECIFIC VERIFICATION IS RECOMMENDED PRIOR TO INSTALLATION.

HENRY PRE-APPLIED WATERPROOFING SYSTEM

OUTSIDE CORNERS

BLUESKIN PRESEAL 320 OR BLUESKIN PRESEAL 435
OUTSIDE CORNERS

SCALE: N.T.S.

01-29-2021

BSPS-3E

Henry[®]

999 N. Pacific Coast Highway, Suite 800
 El Segundo, CA 90245
 800-486-1278 • www.henry.com