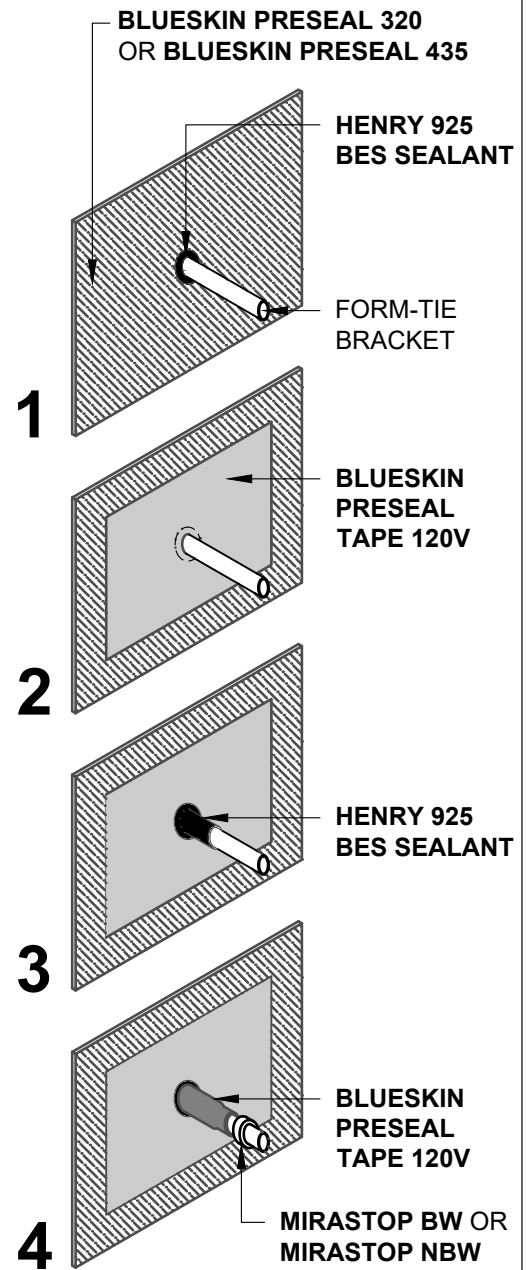


**PLAN VIEW**

SOLDIER PILE AT WOOD LAGGING



**FORM-TIE FLASHING**

STEP-BY-STEP INSTRUCTIONS

**NOTES:**

1. DETAIL SHOWS HENRY PRE-APPLIED WATERPROOFING SYSTEM FOR APPLICATIONS USING HENRY **BLUESKIN PRESEAL 320** OR **BLUESKIN PRESEAL 435**. SUBSTRATE SHOWN IS FOR REFERENCE ONLY.
2. HENRY **BLUESKIN PRESEAL 435** CAN BE INSTALLED DIRECTLY ONTO SHEET PILING. **BLUESKIN PRESEAL 320** REQUIRES A SMOOTH SURFACE SUCH AS PLYWOOD OR DRAINBOARD.
3. HENRY RECOMMENDS THE USE OF A DRAINBOARD IN NON-HYDROSTATIC CONDITIONS, OR AS A SUBSTRATE PREPARATION.
4. REFER TO PRODUCT SPECIFIC TECHNICAL DATA SHEET AND GUIDE SPECIFICATION FOR INSTALLATION PROCEDURES.



MANUFACTURER GUIDE DETAILS ARE FOR REFERENCE ONLY. HENRY DOES NOT ASSUME RESPONSIBILITY FOR ERRORS OR DEVIATIONS IN DESIGN OR ENGINEERING. PROJECT SPECIFIC VERIFICATION IS RECOMMENDED PRIOR TO INSTALLATION.

**HENRY PRE-APPLIED WATERPROOFING SYSTEM**

**FORM-TIE**

**BLUESKIN PRESEAL 320 OR BLUESKIN PRESEAL 435  
ALL THREAD FORM-TIE AT SOLDIER PILE**

SCALE: N.T.S.

11-06-2023

**BSPS-6E.3**