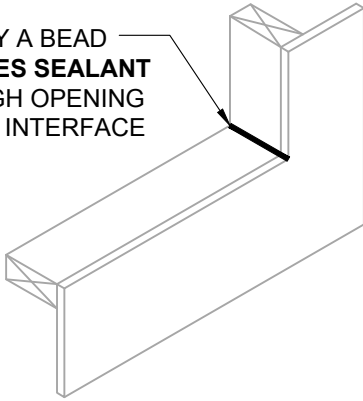


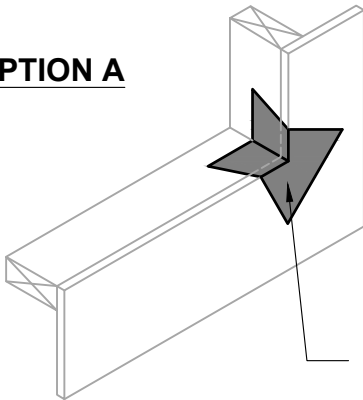
**BLUESKIN® VP100** FLANGED WINDOW DETAIL GUIDELINES CONSIST OF THREE PARTS. REFER TO DETAIL BSVP100-6C1B AND BSVP100-6C1C FOR CONTINUED STEPS 3-8.

**STEP 1**

APPLY A BEAD OF **925 BES SEALANT** AT ROUGH OPENING CORNER INTERFACE



**OPTION A**

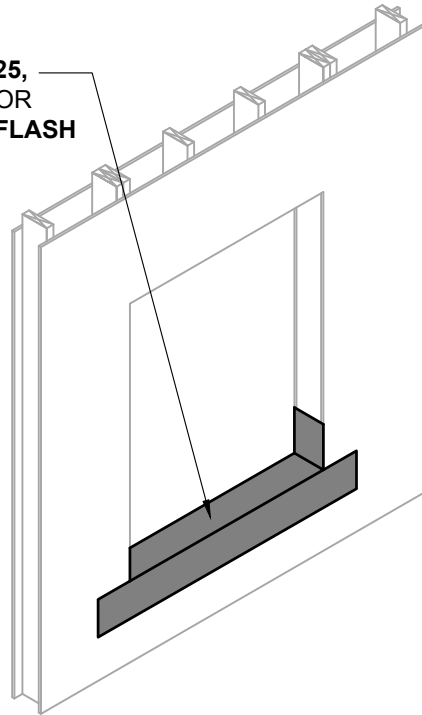


GUSSET: **BLUESKIN® WB25**, **BLUESKIN® WB** OR **BLUESKIN® BUTYL FLASH**

**OPTION B**

**STEP 2**

**BLUESKIN® WB25**, **BLUESKIN® WB** OR **BLUESKIN® BUTYL FLASH**



**NOTES:**

1. DETAIL SHOWS **BLUESKIN® VP100** ASSEMBLY INSTALLED OVER EXTERIOR GRADE SHEATHING. ACCEPTABLE SUBSTRATES INCLUDE PLYWOOD, OSB, CONCRETE, GYPSUM BOARD AND CONCRETE BLOCK.
2. WINDOW FLASHING RECOMMENDATIONS ARE BASED OFF ASTM E2112 AND MAY VARY DEPENDING ON PROJECT SPECIFIC REQUIREMENTS. WINDOW INSTALLATION REQUIREMENTS TO BE VERIFIED BY DESIGN PROFESSIONAL.
3. PRIME **BLUESKIN® VP100** WHERE **BLUESKIN® WB25** OR **BLUESKIN® WB** LAPS ONTO **BLUESKIN® VP100**. RECOMMENDED PRIMERS/ADHESIVES INCLUDE: **BLUESKIN® LVC ADHESIVE**, **AQUATAC™ PRIMER** OR **BLUESKIN® ADHESIVE**.
4. INSULATION, CLADDING AND OPTIONAL VAPOR BARRIER NOT SHOWN FOR CLARITY.
5. INSTALL **BLUESKIN® VP100** ASSEMBLY TO PROVIDE A CONTINUOUS AIR AND WATER BARRIER.
6. REFER TO **BLUESKIN® VP100** GUIDE SPECIFICATION FOR RECOMMENDED INSTALLATION PROCEDURES.

**Henry®**

999 Sepulveda Blvd., Suite 800  
El Segundo, CA 90245  
800-486-1278 • www.henry.com

MANUFACTURER GUIDE DETAILS ARE FOR REFERENCE ONLY. HENRY® DOES NOT ASSUME RESPONSIBILITY FOR ERRORS OR DEVIATIONS IN DESIGN OR ENGINEERING. PROJECT SPECIFIC VERIFICATION IS RECOMMENDED PRIOR TO INSTALLATION.

**BLUESKIN® VP100 SELF-ADHERED WATER RESISTIVE AIR BARRIER**

**FLANGED WINDOW**

METHOD A - **BLUESKIN® VP100** INSTALLED AFTER SELF-ADHERED FLASHING PART 1 OF 3

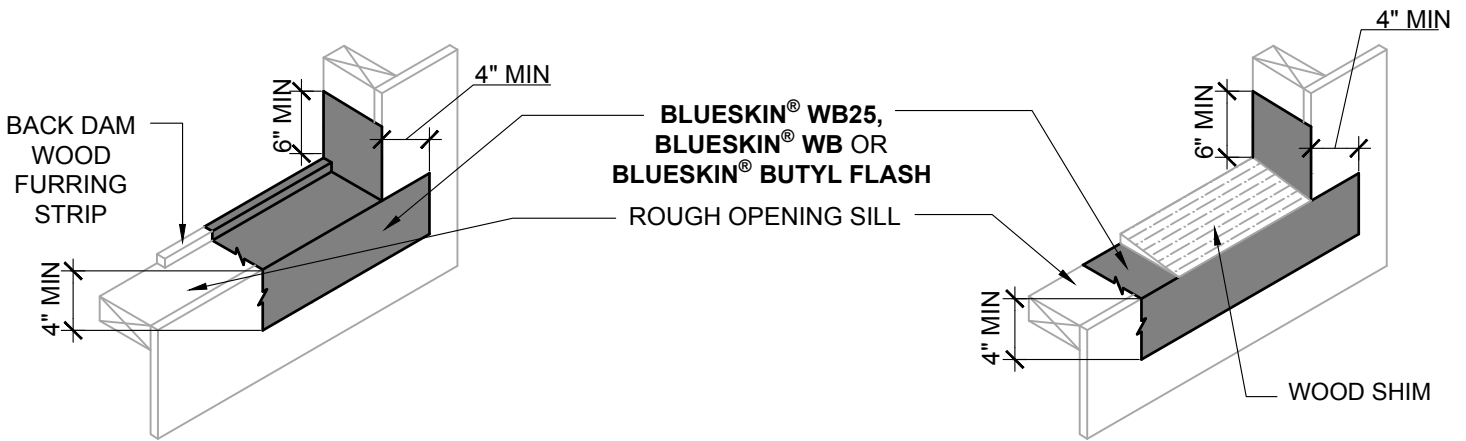
SCALE: N.T.S.

12-18-2017

**BSVP100-6C1A**

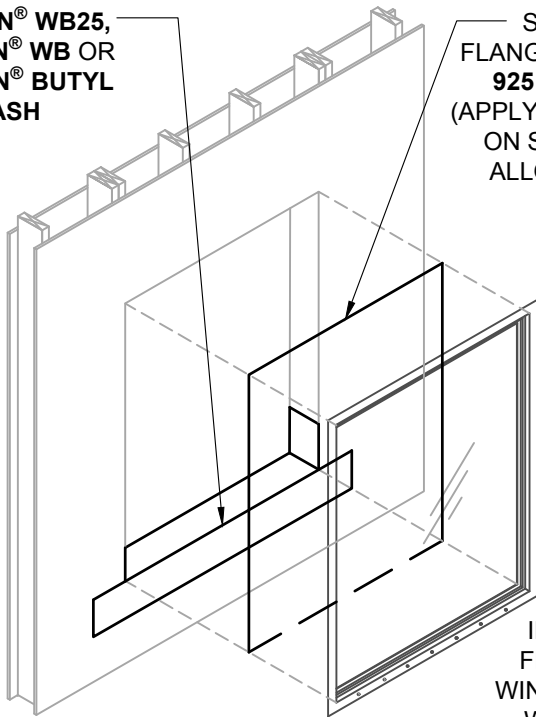
**BLUESKIN® VP100** FLANGED WINDOW DETAIL GUIDELINES CONSISTS OF THREE PARTS.  
 REFER TO DETAIL BSVP100-6C1A FOR PREVIOUS STEPS 1-2  
 AND DETAIL BSVP100-6C1C FOR STEPS 5-8.

**STEP 2 (CONTINUED)**



**STEP 3**

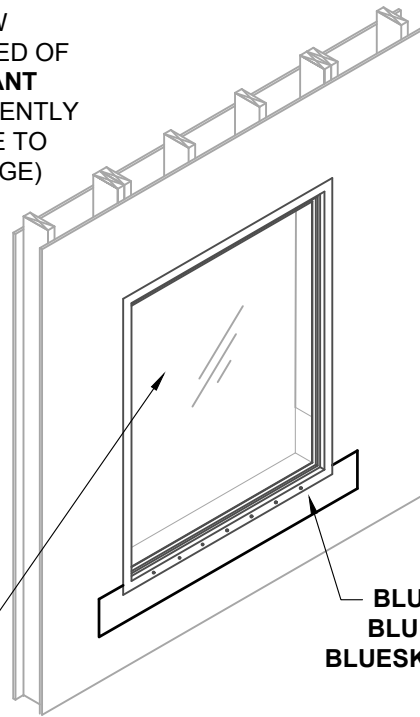
**BLUESKIN® WB25,  
 BLUESKIN® WB OR  
 BLUESKIN® BUTYL  
 FLASH**



**STEP 4**

SET WINDOW  
 FLANGE INTO A BED OF  
**925 BES SEALANT**  
 (APPLY INTERMITTENTLY  
 ON SILL FLANGE TO  
 ALLOW DRAINAGE)

INSTALL  
 FLANGED  
 WINDOW PER  
 WINDOW  
 MANUFACTURER  
 REQUIREMENTS



**BLUESKIN® WB25,  
 BLUESKIN® WB OR  
 BLUESKIN® BUTYL  
 FLASH**

**NOTES:**

- REFER TO NOTES BSVP100-6C1A.

**Henry®**

999 Sepulveda Blvd., Suite 800  
 El Segundo, CA 90245  
 800-486-1278 • www.henry.com

MANUFACTURER GUIDE DETAILS ARE FOR REFERENCE ONLY. HENRY® DOES NOT ASSUME RESPONSIBILITY FOR ERRORS OR DEVIATIONS IN DESIGN OR ENGINEERING. PROJECT SPECIFIC VERIFICATION IS RECOMMENDED PRIOR TO INSTALLATION.

**BLUESKIN® VP100 SELF-ADHERED WATER RESISTIVE AIR BARRIER**

**FLANGED WINDOW**

METHOD A - **BLUESKIN® VP100** INSTALLED AFTER  
 SELF-ADHERED FLASHING PART 2 OF 3

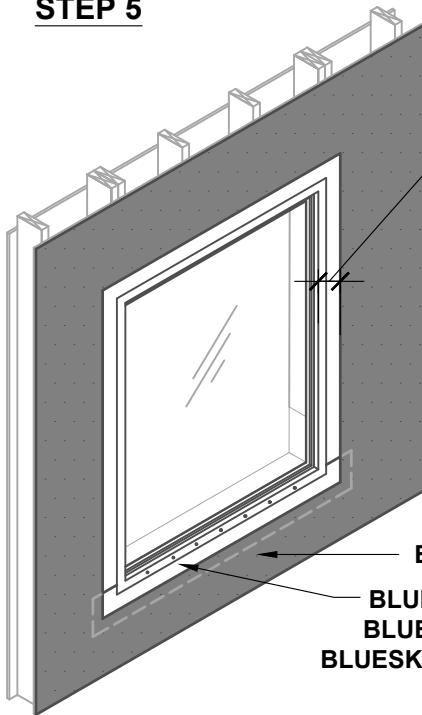
SCALE: N.T.S.

12-18-2017

**BSVP100-6C1B**

**BLUESKIN® VP100 FLANGED WINDOW DETAIL GUIDELINES CONSIST OF THREE PARTS. REFER TO DETAILS BSVP100-6C1A AND BSVP100-6C1B FOR PREVIOUS STEPS 1-4.**

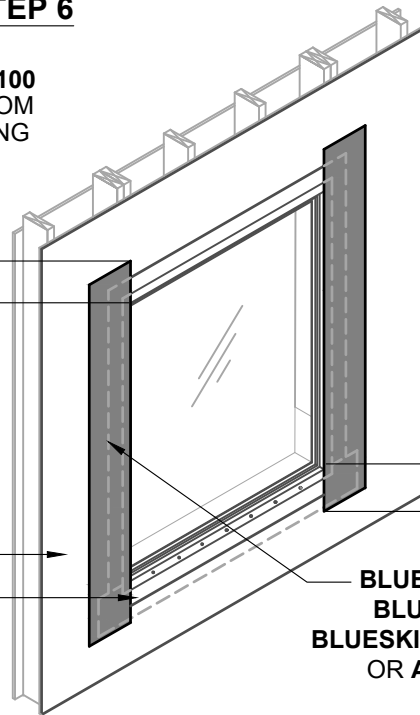
**STEP 5**



**STEP 6**

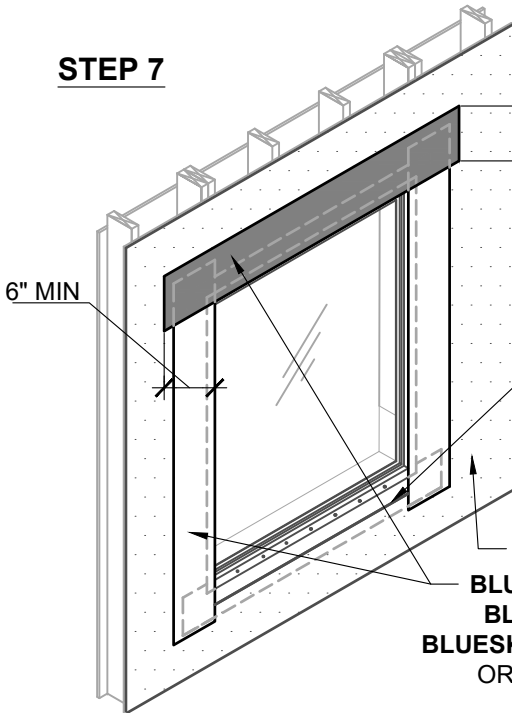
INSTALL  
**BLUESKIN® VP100**  
2" MINIMUM FROM  
ROUGH OPENING

4" MIN



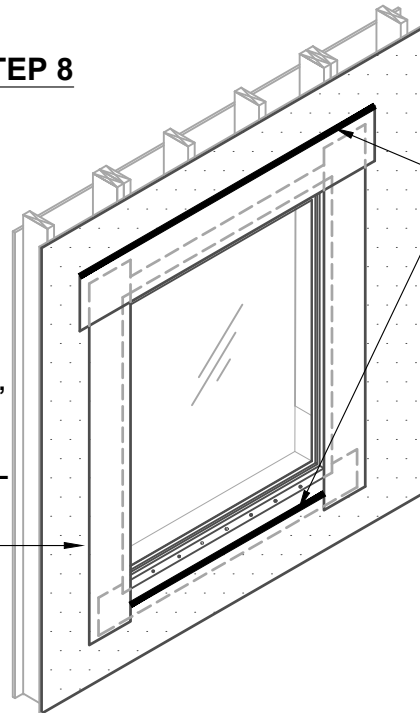
6" MIN (SELF-ADHERED FLASHINGS:  
EXTEND JAMB FLASHING 2" MIN  
BEYOND SILL FLASHING)

**STEP 7**



6" MIN  
(SELF-ADHERED  
FLASHINGS:  
EXTEND HEADER  
FLASHING 2" MIN  
BEYOND JAMB  
FLASHINGS)

**STEP 8**



SEAL  
REVERSE LAP  
EDGES OF  
ROUGH  
OPENING  
FLASHINGS  
WITH  
**212 SEALANT**  
(TROWEL  
SEALANT UNTIL  
MEMBRANE IS  
FIRMLY  
COATED TO  
PROMOTE  
WATER  
SHEDDING)

**NOTES:**

- REFER TO NOTES BSVP100-6C1A.



999 Sepulveda Blvd., Suite 800  
El Segundo, CA 90245  
800-486-1278 • www.henry.com

MANUFACTURER GUIDE DETAILS ARE FOR REFERENCE ONLY. HENRY® DOES NOT ASSUME RESPONSIBILITY FOR ERRORS OR DEVIATIONS IN DESIGN OR ENGINEERING. PROJECT SPECIFIC VERIFICATION IS RECOMMENDED PRIOR TO INSTALLATION.

**BLUESKIN® VP100 SELF-ADHERED WATER RESISTIVE AIR BARRIER**

**FLANGED WINDOW**

METHOD A - **BLUESKIN® VP100** INSTALLED AFTER  
SELF-ADHERED FLASHING PART 3 OF 3

SCALE: N.T.S.

12-18-2017

**BSVP100-6C1C**