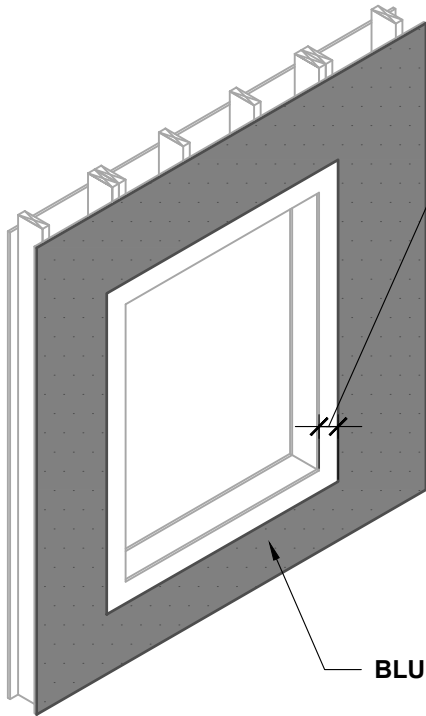


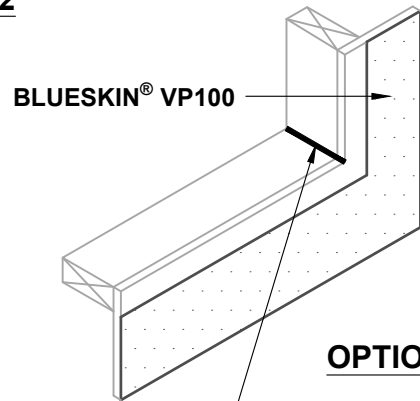
BLUESKIN® VP100 FLANGED WINDOW DETAIL GUIDELINES CONSIST OF THREE PARTS. REFER TO DETAIL BSVP100-6C2B AND BSVP100-6C2C FOR CONTINUED STEPS 3-8.

STEP 1



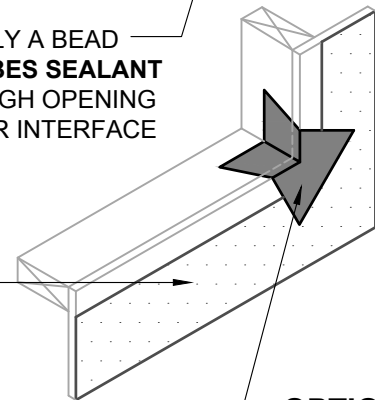
STEP 2

INSTALL **BLUESKIN® VP100** 2" MINIMUM FROM ROUGH OPENING



OPTION A

APPLY A BEAD OF **925 BES SEALANT** AT ROUGH OPENING CORNER INTERFACE



OPTION B

BLUESKIN® VP100

GUSSET: **BLUESKIN® WB25, BLUESKIN® WB** OR **BLUESKIN® BUTYL FLASH**

NOTES:

1. DETAIL SHOWS **BLUESKIN® VP100** ASSEMBLY INSTALLED OVER EXTERIOR GRADE SHEATHING. ACCEPTABLE SUBSTRATES INCLUDE PLYWOOD, OSB, CONCRETE, GYPSUM BOARD AND CONCRETE BLOCK.
2. WINDOW FLASHING RECOMMENDATIONS ARE BASED OFF ASTM E2112 AND MAY VARY DEPENDING ON PROJECT SPECIFIC REQUIREMENTS. WINDOW INSTALLATION REQUIREMENTS TO BE VERIFIED BY DESIGN PROFESSIONAL.
3. EXTEND SILL FLASHING 2" MINIMUM BEYOND EDGE OF **BLUESKIN® VP100**. REFER TO DETAIL BSVP100-6C2B FOR FURTHER CLARITY.
4. PRIME **BLUESKIN® VP100** WHERE **BLUESKIN® WB25** OR **BLUESKIN® WB** LAPS ONTO **BLUESKIN® VP100**. RECOMMENDED PRIMERS/ADHESIVES INCLUDE: **BLUESKIN® LVC ADHESIVE, AQUATAC™ PRIMER** OR **BLUESKIN® ADHESIVE**.
5. INSULATION, CLADDING AND OPTIONAL VAPOR BARRIER NOT SHOWN FOR CLARITY.
6. INSTALL **BLUESKIN® VP100** ASSEMBLY TO PROVIDE A CONTINUOUS AIR AND WATER BARRIER.
7. REFER TO **BLUESKIN® VP100** GUIDE SPECIFICATION FOR RECOMMENDED INSTALLATION PROCEDURES.

Henry®

999 Sepulveda Blvd., Suite 800
El Segundo, CA 90245
800-486-1278 • www.henry.com

MANUFACTURER GUIDE DETAILS ARE FOR REFERENCE ONLY. HENRY® DOES NOT ASSUME RESPONSIBILITY FOR ERRORS OR DEVIATIONS IN DESIGN OR ENGINEERING. PROJECT SPECIFIC VERIFICATION IS RECOMMENDED PRIOR TO INSTALLATION.

BLUESKIN® VP100 SELF-ADHERED WATER RESISTIVE AIR BARRIER

FLANGED WINDOW

METHOD B - **BLUESKIN® VP100** INSTALLED
BEFORE FLASHING PART 1 OF 3

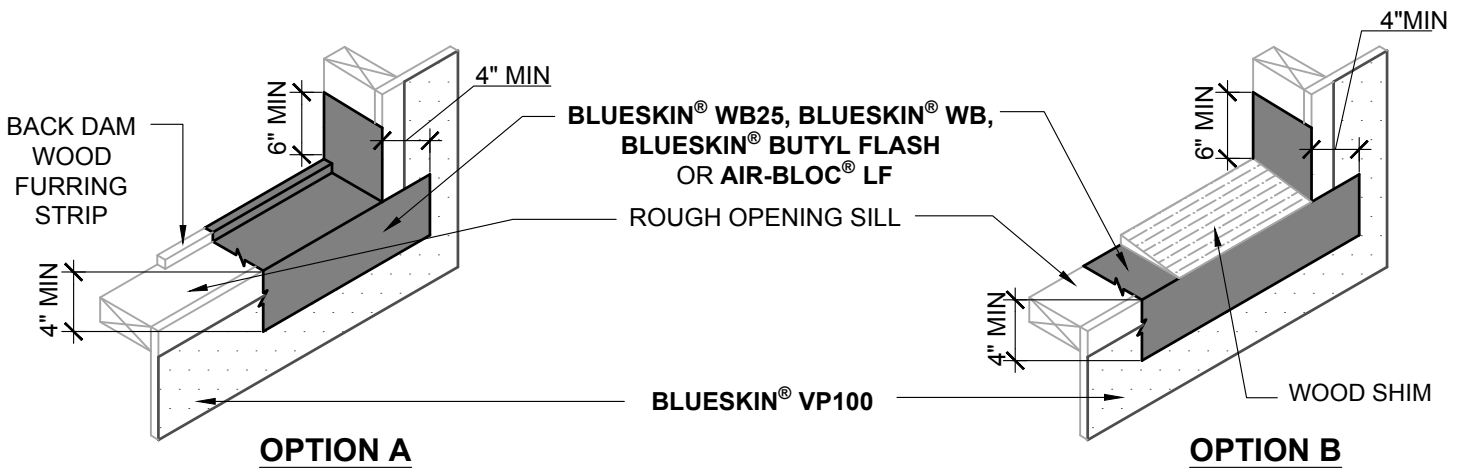
SCALE: N.T.S.

12-18-2017

BSVP100-6C2A

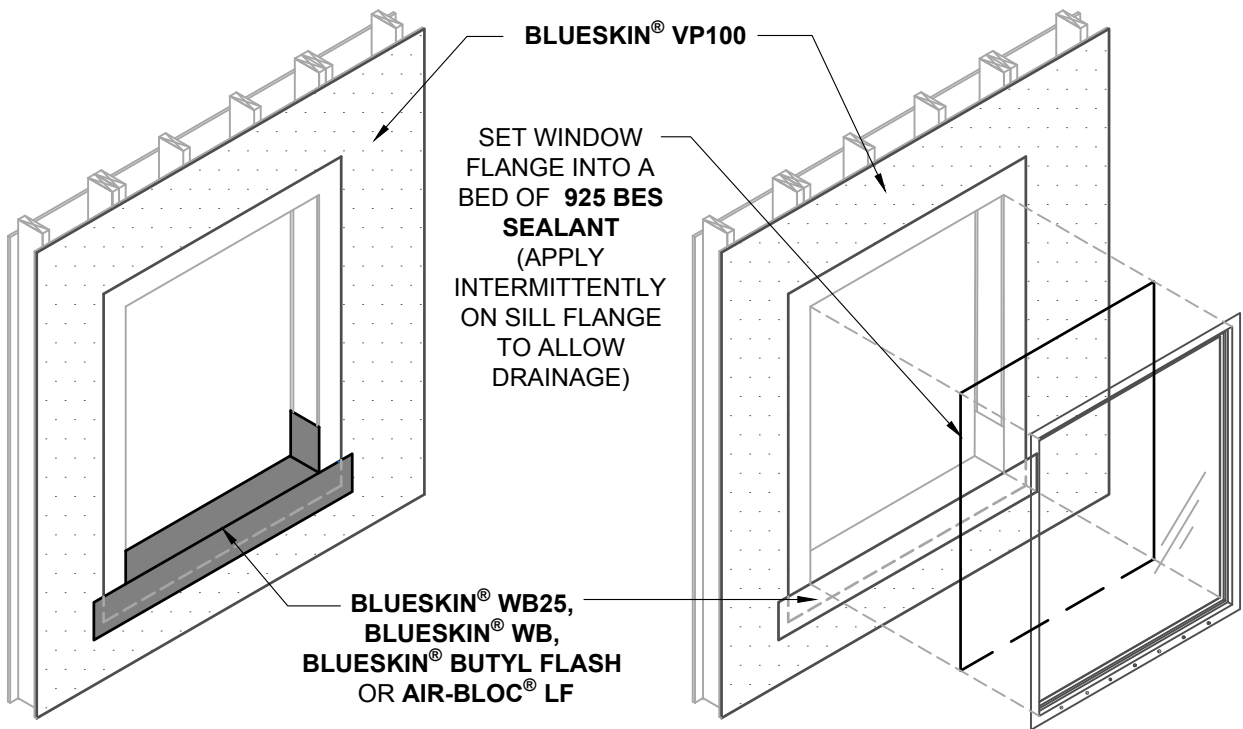
BLUESKIN® VP100 FLANGED WINDOW DETAIL GUIDELINES CONSISTS OF THREE PARTS.
 REFER TO DETAIL BSVP100-6C2A FOR PREVIOUS STEPS 1-2
 AND DETAIL BSVP100-6C2C FOR STEPS 5-8.

STEP 3



STEP 3 (CONTINUED)

STEP 4



NOTES:

1. REFER TO NOTES BSVP100-6C2A.

Henry®

999 Sepulveda Blvd., Suite 800
 El Segundo, CA 90245
 800-486-1278 • www.henry.com

MANUFACTURER GUIDE DETAILS ARE FOR REFERENCE ONLY. HENRY® DOES NOT ASSUME RESPONSIBILITY FOR ERRORS OR DEVIATIONS IN DESIGN OR ENGINEERING. PROJECT SPECIFIC VERIFICATION IS RECOMMENDED PRIOR TO INSTALLATION.

BLUESKIN® VP100 SELF-ADHERED WATER RESISTIVE AIR BARRIER

FLANGED WINDOW

METHOD B - **BLUESKIN® VP100** INSTALLED
 BEFORE FLASHING PART 2 OF 3

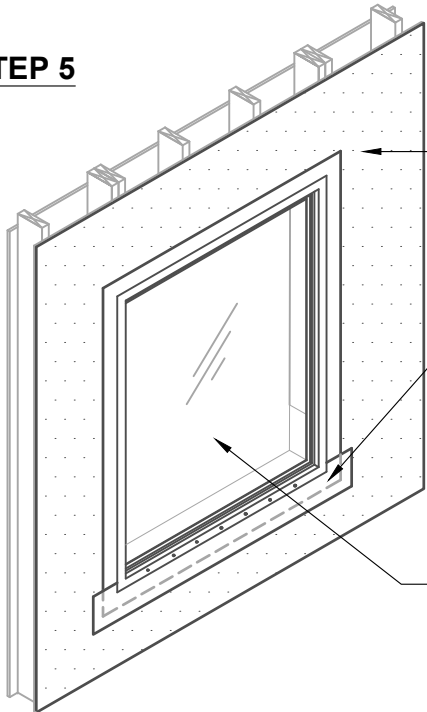
SCALE: N.T.S.

12-18-2017

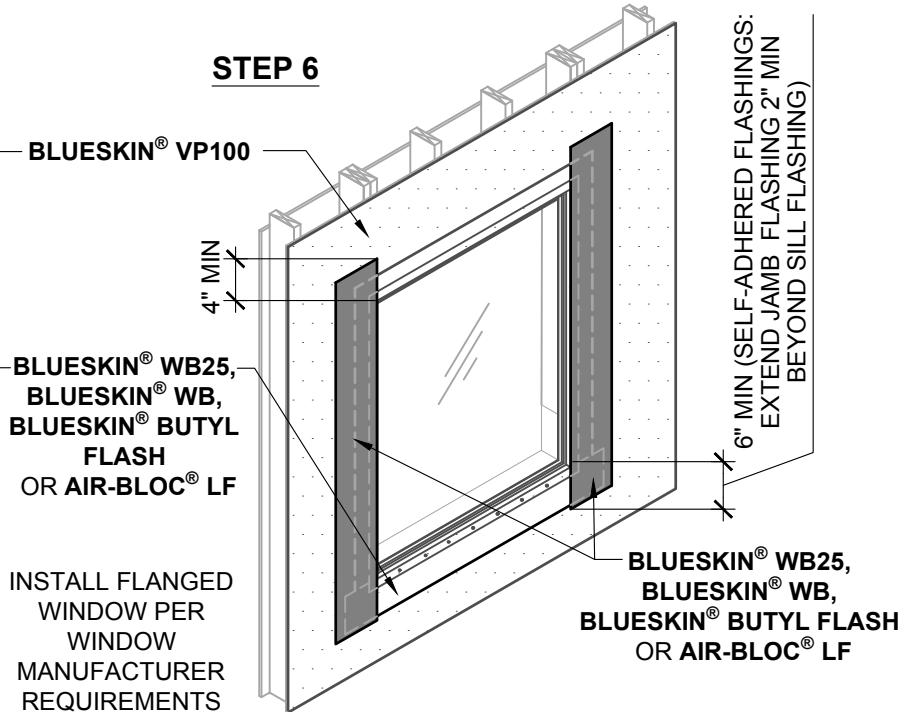
BSVP100-6C2B

BLUESKIN® VP100 FLANGED WINDOW DETAIL GUIDELINES CONSIST OF THREE PARTS. REFER TO DETAILS BSVP100-6C2A AND BSVP100-6C2B FOR PREVIOUS STEPS 1-4.

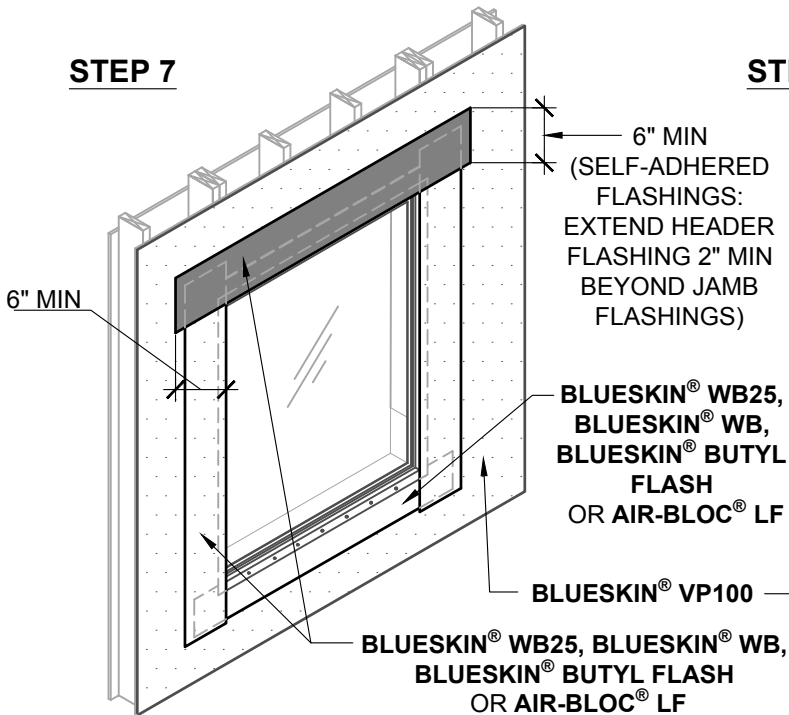
STEP 5



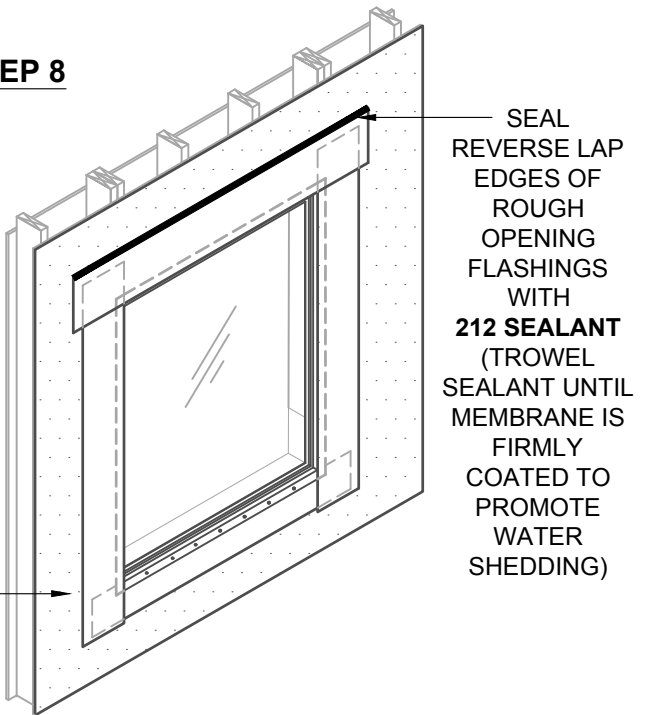
STEP 6



STEP 7



STEP 8



NOTES:

1. REFER TO NOTES BSVP100-6C2A.

Henry®

999 Sepulveda Blvd., Suite 800
El Segundo, CA 90245
800-486-1278 • www.henry.com

MANUFACTURER GUIDE DETAILS ARE FOR REFERENCE ONLY. HENRY® DOES NOT ASSUME RESPONSIBILITY FOR ERRORS OR DEVIATIONS IN DESIGN OR ENGINEERING. PROJECT SPECIFIC VERIFICATION IS RECOMMENDED PRIOR TO INSTALLATION.

BLUESKIN® VP100 SELF-ADHERED WATER RESISTIVE AIR BARRIER

FLANGED WINDOW

METHOD B - **BLUESKIN® VP100** INSTALLED
BEFORE FLASHING PART 3 OF 3

SCALE: N.T.S.

12-18-2017

BSVP100-6C2C