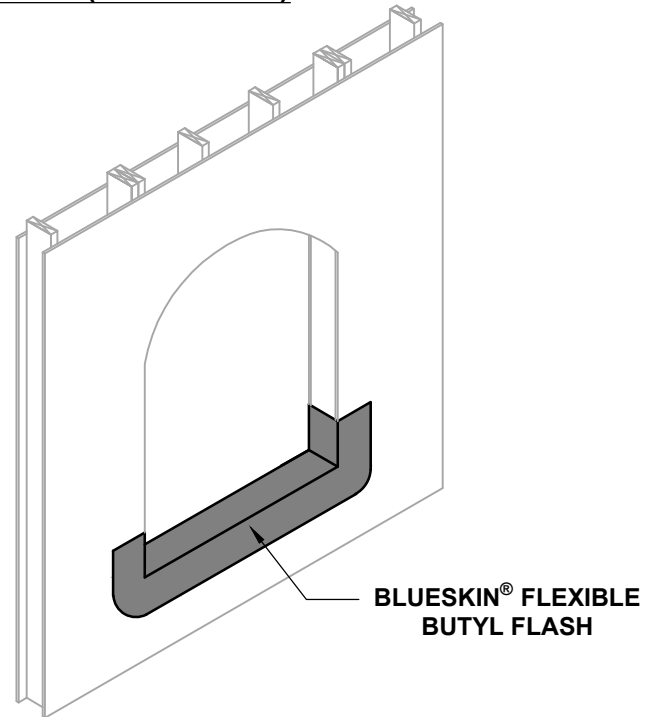
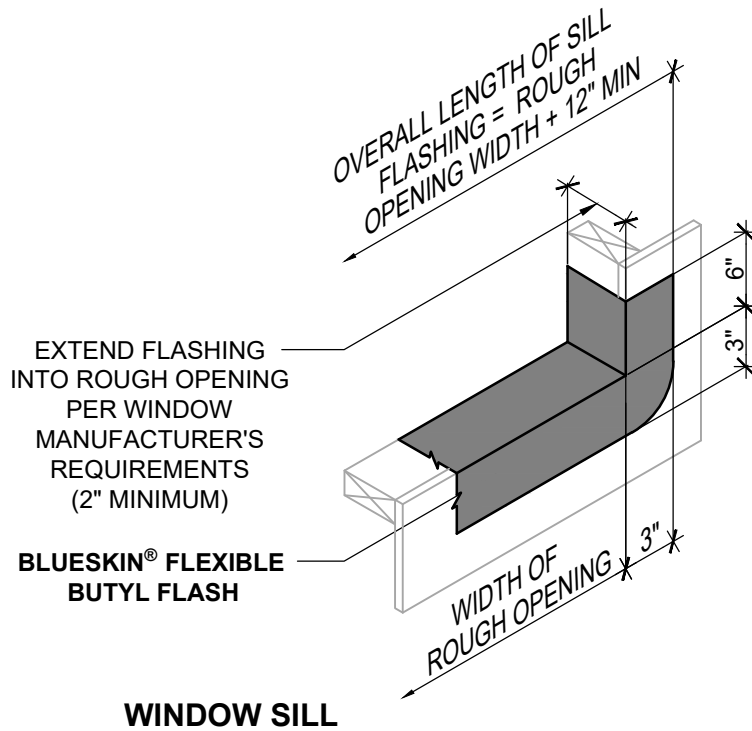


BLUESKIN® VP100 FLANGED WINDOW DETAIL GUIDELINES CONSIST OF THREE PARTS. REFER TO DETAIL BSVP100-6D1B AND BSVP100-6D1C FOR CONTINUED STEPS 3-7.

STEP 1

STEP 1 (CONTINUED)



NOTES:

1. DETAIL SHOWS **BLUESKIN® VP100** ASSEMBLY INSTALLED OVER EXTERIOR GRADE SHEATHING. ACCEPTABLE SUBSTRATES INCLUDE PLYWOOD, OSB, CONCRETE, GYPSUM BOARD AND CONCRETE BLOCK.
2. WINDOW FLASHING RECOMMENDATIONS ARE BASED OFF ASTM E2112 AND MAY VARY DEPENDING ON PROJECT SPECIFIC REQUIREMENTS. WINDOW INSTALLATION REQUIREMENTS TO BE VERIFIED BY DESIGN PROFESSIONAL.
3. PRIME **BLUESKIN® VP100** WHERE **BLUESKIN® WB25** OR **BLUESKIN® WB** LAPS ONTO **BLUESKIN® VP100**. RECOMMENDED PRIMERS/ADHESIVES INCLUDE: **BLUESKIN® LVC ADHESIVE**, **AQUATAC™ PRIMER** OR **BLUESKIN® ADHESIVE**. **BLUESKIN® BUTYL FLASH** DOES NOT REQUIRE PRIMER WHEN INSTALLED ONTO **BLUESKIN® VP100**.
4. INSULATION, CLADDING AND OPTIONAL VAPOR BARRIER NOT SHOWN FOR CLARITY.
5. INSTALL **BLUESKIN® VP100** ASSEMBLY TO PROVIDE A CONTINUOUS AIR AND WATER BARRIER.
6. REFER TO **BLUESKIN® VP100** GUIDE SPECIFICATION FOR RECOMMENDED INSTALLATION PROCEDURES.

Henry®

999 Sepulveda Blvd., Suite 800
El Segundo, CA 90245
800-486-1278 • www.henry.com

MANUFACTURER GUIDE DETAILS ARE FOR REFERENCE ONLY. HENRY® DOES NOT ASSUME RESPONSIBILITY FOR ERRORS OR DEVIATIONS IN DESIGN OR ENGINEERING. PROJECT SPECIFIC VERIFICATION IS RECOMMENDED PRIOR TO INSTALLATION.

BLUESKIN® VP100 SELF-ADHERED WATER RESISTIVE AIR BARRIER

FLANGED WINDOW

METHOD A - **BLUESKIN® VP100** INSTALLED AFTER
BLUESKIN® FLEXIBLE BUTYL FLASH PART 1 OF 3

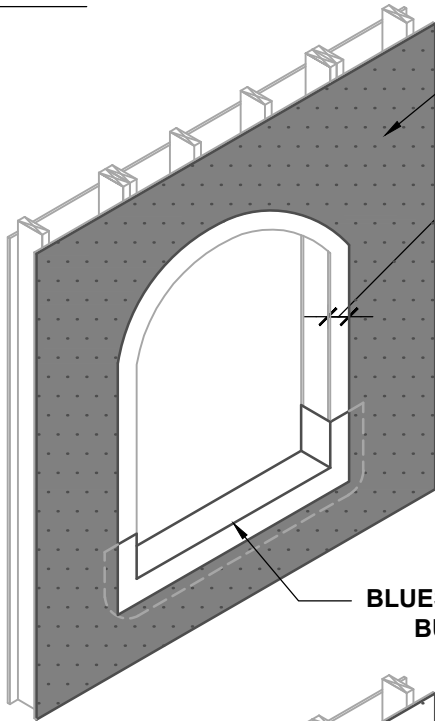
SCALE: N.T.S.

03-20-2018

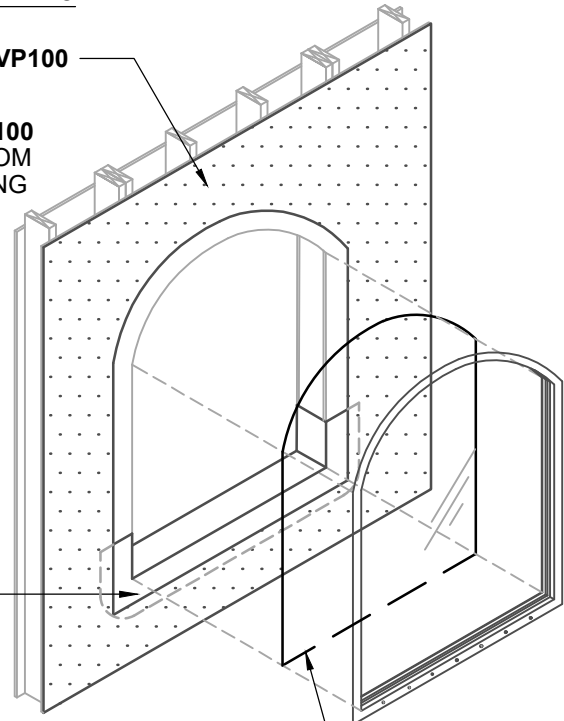
BSVP100-6D1A

BLUESKIN® VP100 FLANGED WINDOW DETAIL GUIDELINES CONSISTS OF THREE PARTS. REFER TO DETAIL BSVP100-6D1A FOR PREVIOUS STEPS 1-2 AND DETAIL BSVP100-6D1C FOR STEPS 5-7.

STEP 2



STEP 3

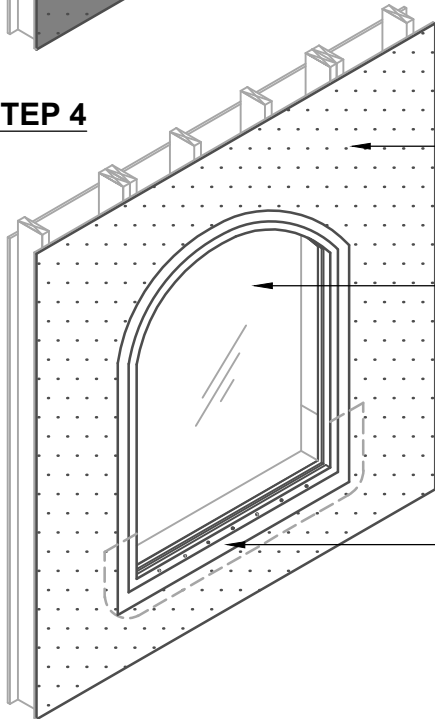


BLUESKIN® VP100
 INSTALL
BLUESKIN® VP100
 2" MINIMUM FROM
 ROUGH OPENING

**BLUESKIN® FLEXIBLE
 BUTYL FLASH**

SET WINDOW
 FLANGE INTO A
 BED OF **925 BES
 SEALANT** OR
212 SEALANT
 (APPLY
 INTERMITTENTLY
 ON SILL FLANGE
 TO ALLOW
 DRAINAGE)

STEP 4



BLUESKIN® VP100

INSTALL FLANGED
 WINDOW PER
 WINDOW
 MANUFACTURER
 REQUIREMENTS

**BLUESKIN® FLEXIBLE
 BUTYL FLASH**

NOTES:

1. REFER TO NOTES BSVP100-6D1A.

Henry®

999 Sepulveda Blvd., Suite 800
 El Segundo, CA 90245
 800-486-1278 • www.henry.com

MANUFACTURER GUIDE DETAILS ARE FOR REFERENCE ONLY. HENRY® DOES NOT ASSUME RESPONSIBILITY FOR ERRORS OR DEVIATIONS IN DESIGN OR ENGINEERING. PROJECT SPECIFIC VERIFICATION IS RECOMMENDED PRIOR TO INSTALLATION.

BLUESKIN® VP100 SELF-ADHERED WATER RESISTIVE AIR BARRIER

FLANGED WINDOW

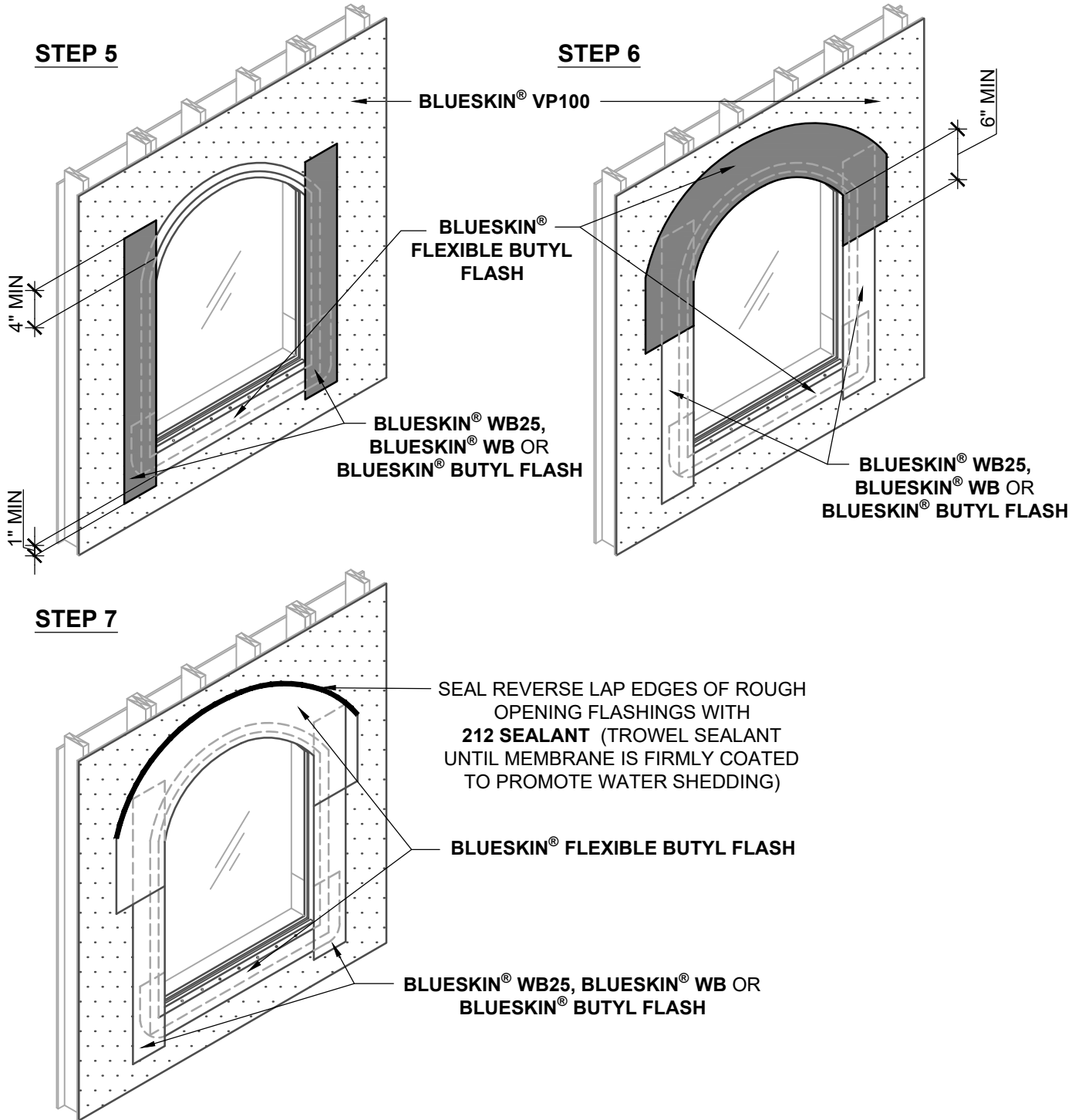
METHOD A - **BLUESKIN® VP100** INSTALLED AFTER
BLUESKIN® FLEXIBLE BUTYL FLASH PART 2 OF 3

SCALE: N.T.S.

03-20-2018

BSVP100-6D1B

BLUESKIN® VP100 FLANGED WINDOW DETAIL GUIDELINES CONSIST OF THREE PARTS. REFER TO DETAILS BSVP100-6D1A AND BSVP100-6D1B FOR PREVIOUS STEPS 1-4.



NOTES:

1. REFER TO NOTES BSVP100-6D1A.

MANUFACTURER GUIDE DETAILS ARE FOR REFERENCE ONLY. HENRY® DOES NOT ASSUME RESPONSIBILITY FOR ERRORS OR DEVIATIONS IN DESIGN OR ENGINEERING. PROJECT SPECIFIC VERIFICATION IS RECOMMENDED PRIOR TO INSTALLATION.

BLUESKIN® VP100 SELF-ADHERED WATER RESISTIVE AIR BARRIER

FLANGED WINDOW

METHOD A - **BLUESKIN® VP100** INSTALLED AFTER **BLUESKIN® FLEXIBLE BUTYL FLASH** PART 3 OF 3

SCALE: N.T.S.

03-20-2018

BSVP100-6D1C

Henry®

999 Sepulveda Blvd., Suite 800
El Segundo, CA 90245
800-486-1278 • www.henry.com