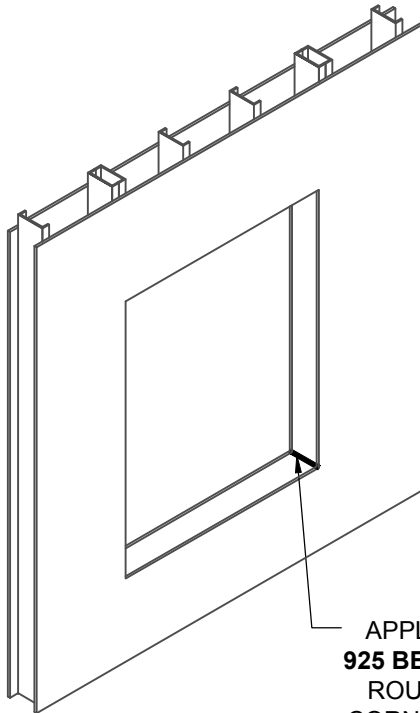


**BLUESKIN® VP160** REBATE WINDOW DETAIL GUIDELINES CONSIST OF THREE PARTS. REFER TO DETAIL BSVP160-6B1B AND BSVP160-6B1C FOR CONTINUED STEPS 3-7.

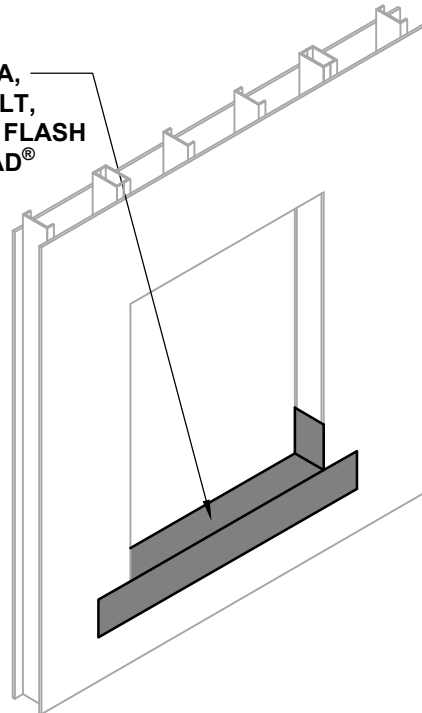
**STEP 1**



APPLY A BEAD OF **925 BES SEALANT** AT ROUGH OPENING CORNER INTERFACE

**STEP 2**

**BLUESKIN® SA, BLUESKIN® SALT, BLUESKIN® BUTYL FLASH OR METAL CLAD®**



**NOTES:**

1. DETAIL SHOWS **BLUESKIN® VP160** ASSEMBLY INSTALLED OVER EXTERIOR GRADE SHEATHING. ACCEPTABLE SUBSTRATES INCLUDE PLYWOOD, OSB, CONCRETE, GYPSUM BOARD AND CONCRETE BLOCK.
2. WINDOW FLASHING RECOMMENDATIONS ARE BASED OFF ASTM E2112 AND MAY VARY DEPENDING ON PROJECT SPECIFIC REQUIREMENTS. WINDOW INSTALLATION REQUIREMENTS TO BE VERIFIED BY DESIGN PROFESSIONAL.
3. PRIME **BLUESKIN® VP160** WHERE **BLUESKIN® SA, BLUESKIN® SALT** OR **METAL CLAD®** LAP ONTO **BLUESKIN® VP160**. RECOMMENDED PRIMERS/ADHESIVES INCLUDE: **BLUESKIN® LVC ADHESIVE, AQUATAC™ PRIMER** OR **BLUESKIN® ADHESIVE**.
4. INSULATION, CLADDING AND OPTIONAL VAPOR BARRIER NOT SHOWN FOR CLARITY.
5. INSTALL **BLUESKIN® VP160** ASSEMBLY TO PROVIDE A CONTINUOUS AIR AND WATER BARRIER.
6. REFER TO **BLUESKIN® VP160** INSTALLATION MANUAL FOR RECOMMENDED INSTALLATION PROCEDURES.

**Henry®**

999 Sepulveda Blvd., Suite 800  
El Segundo, CA 90245  
800-486-1278 • www.henry.com

MANUFACTURER GUIDE DETAILS ARE FOR REFERENCE ONLY. HENRY® DOES NOT ASSUME RESPONSIBILITY FOR ERRORS OR DEVIATIONS IN DESIGN OR ENGINEERING. PROJECT SPECIFIC VERIFICATION IS RECOMMENDED PRIOR TO INSTALLATION.

**BLUESKIN® VP160 SELF-ADHERED WATER RESISTIVE AIR BARRIER**

**REBATE WINDOW**

METHOD A - **BLUESKIN® VP160** INSTALLED AFTER SELF-ADHERED FLASHING PART 1 OF 3

SCALE: N.T.S.

06-20-2017

**BSVP160-6B1A**