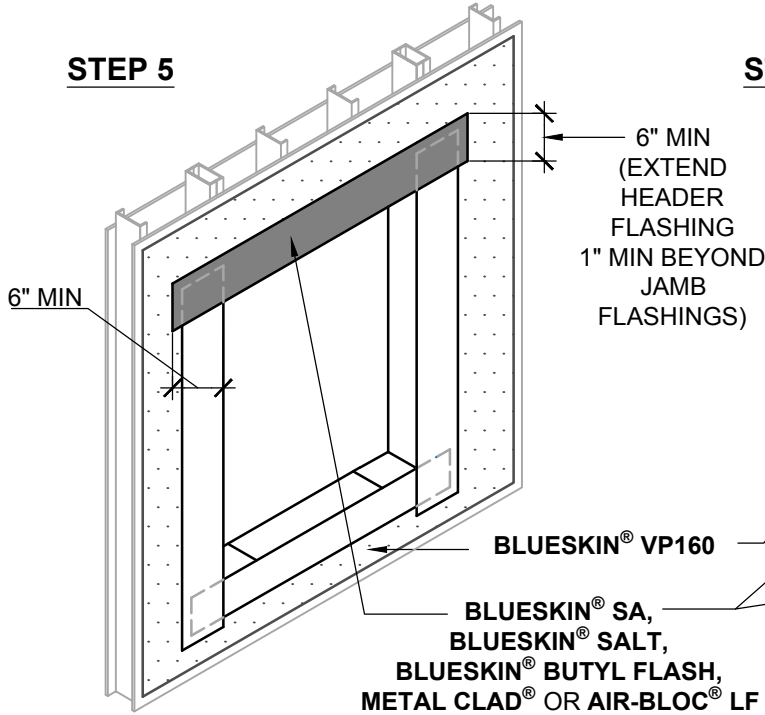
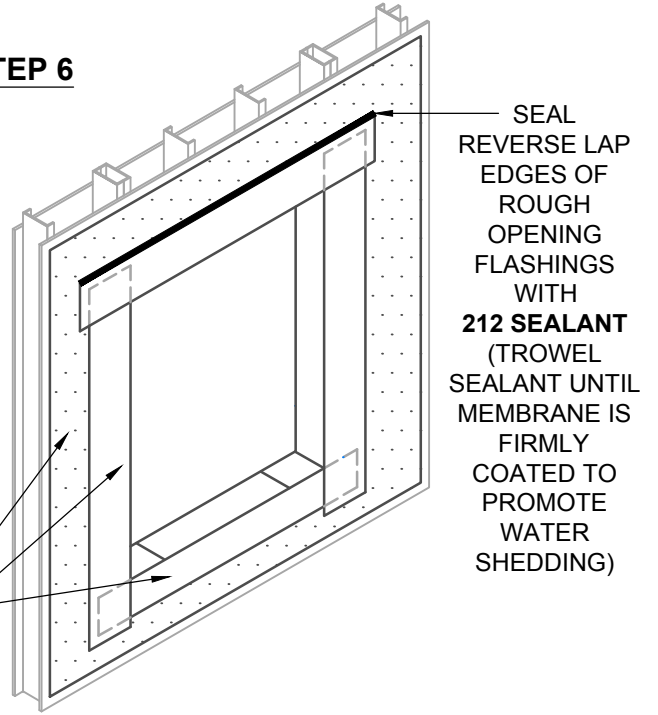


**BLUESKIN® VP160 REBATE WINDOW DETAIL GUIDELINES CONSIST OF THREE PARTS. REFER TO DETAILS BSVP160-6B2A AND BSVP160-6B2B FOR PREVIOUS STEPS 1-4.**

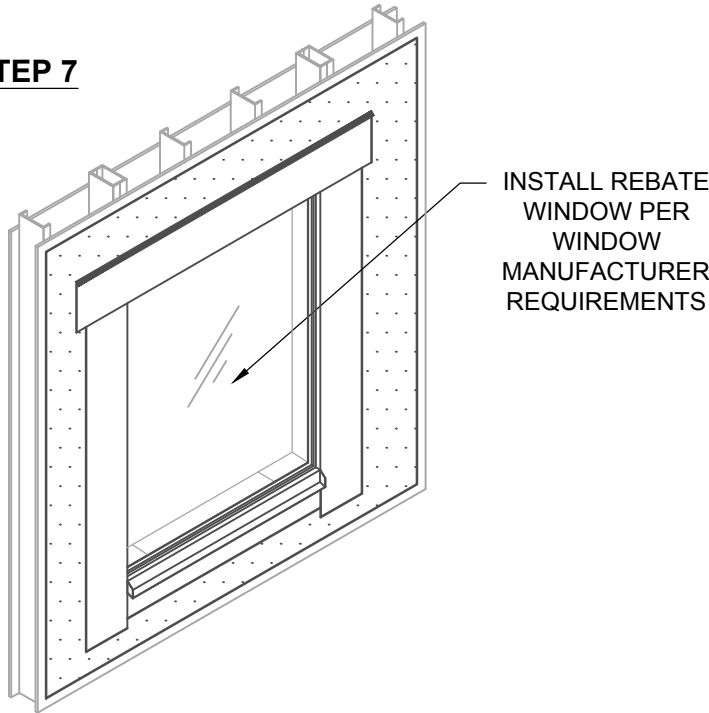
**STEP 5**



**STEP 6**



**STEP 7**



**NOTES:**

1. REFER TO NOTES BSVP160-6B2A.

**Henry®**

999 Sepulveda Blvd., Suite 800  
El Segundo, CA 90245  
800-486-1278 • www.henry.com

MANUFACTURER GUIDE DETAILS ARE FOR REFERENCE ONLY. HENRY® DOES NOT ASSUME RESPONSIBILITY FOR ERRORS OR DEVIATIONS IN DESIGN OR ENGINEERING. PROJECT SPECIFIC VERIFICATION IS RECOMMENDED PRIOR TO INSTALLATION.

**BLUESKIN® VP160 SELF-ADHERED WATER RESISTIVE AIR BARRIER**

**REBATE WINDOW**

METHOD B - **BLUESKIN® VP160** INSTALLED  
BEFORE FLASHING PART 3 OF 3

SCALE: N.T.S.

06-20-2017

**BSVP160-6B2C**