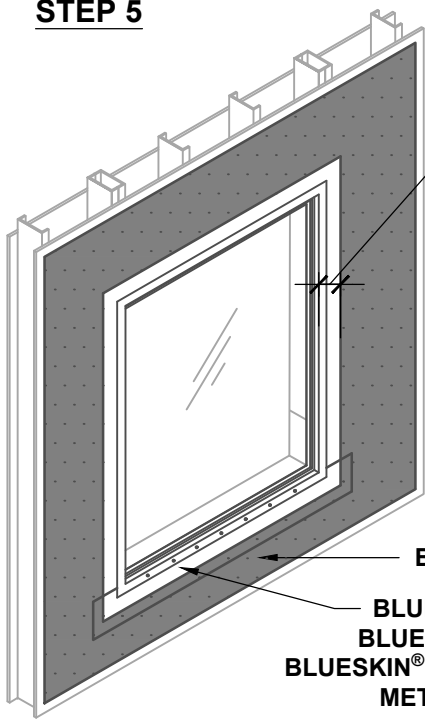


**BLUESKIN® VP160** FLANGED WINDOW DETAIL GUIDELINES CONSIST OF THREE PARTS. REFER TO DETAILS BSVP160-6C1A AND BSVP160-6C1B FOR PREVIOUS STEPS 1-4.

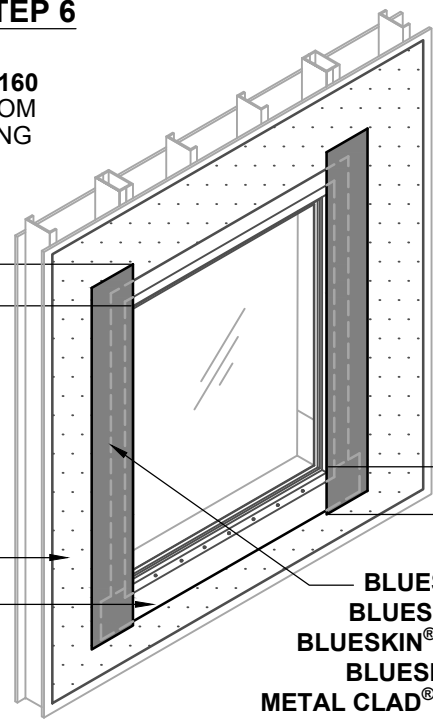
**STEP 5**



**STEP 6**

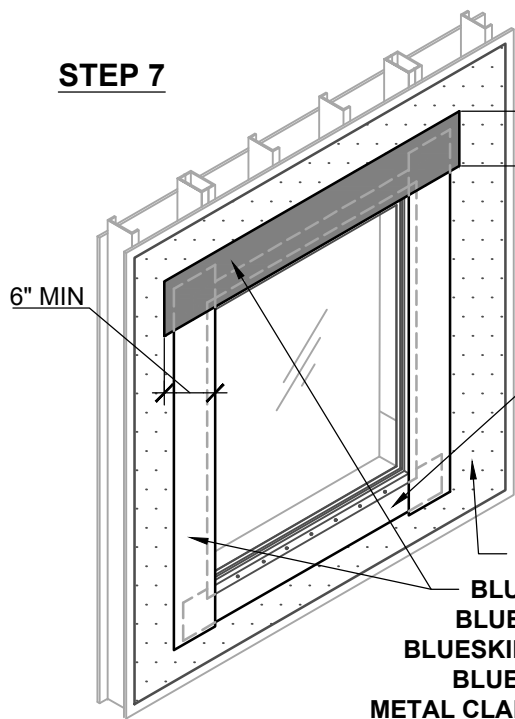
INSTALL **BLUESKIN® VP160** 2" MINIMUM FROM ROUGH OPENING

4" MIN



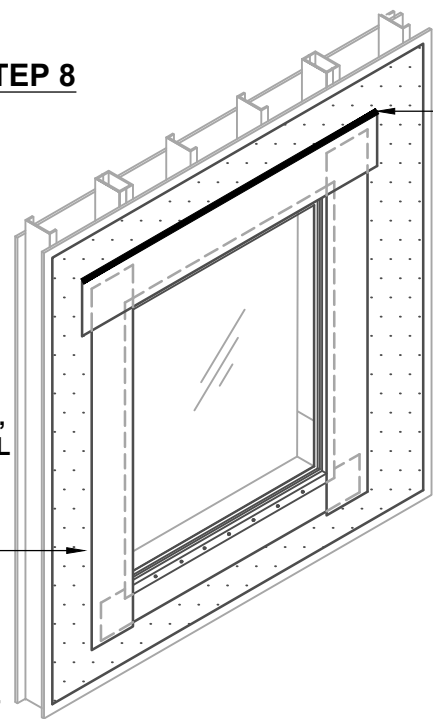
6" MIN (SELF-ADHERED FLASHINGS: EXTEND JAMB FLASHING 1" MIN BEYOND SILL FLASHING)

**STEP 7**



6" MIN (SELF-ADHERED FLASHINGS: EXTEND HEADER FLASHING 1" MIN BEYOND JAMB FLASHINGS)

**STEP 8**



SEAL REVERSE LAP EDGES OF ROUGH OPENING FLASHINGS WITH **212 SEALANT** (TROWEL SEALANT UNTIL MEMBRANE IS FIRMLY COATED TO PROMOTE WATER SHEDDING)

**NOTES:**

1. REFER TO NOTES BSVP160-6C1A.

MANUFACTURER GUIDE DETAILS ARE FOR REFERENCE ONLY. HENRY® DOES NOT ASSUME RESPONSIBILITY FOR ERRORS OR DEVIATIONS IN DESIGN OR ENGINEERING. PROJECT SPECIFIC VERIFICATION IS RECOMMENDED PRIOR TO INSTALLATION.

**BLUESKIN® VP160 SELF-ADHERED WATER RESISTIVE AIR BARRIER**

**FLANGED WINDOW**

METHOD A - **BLUESKIN® VP160** INSTALLED AFTER SELF-ADHERED FLASHING PART 3 OF 3

SCALE: N.T.S. 06-20-2017

**BSVP160-6C1C**



999 Sepulveda Blvd., Suite 800  
El Segundo, CA 90245  
800-486-1278 • www.henry.com