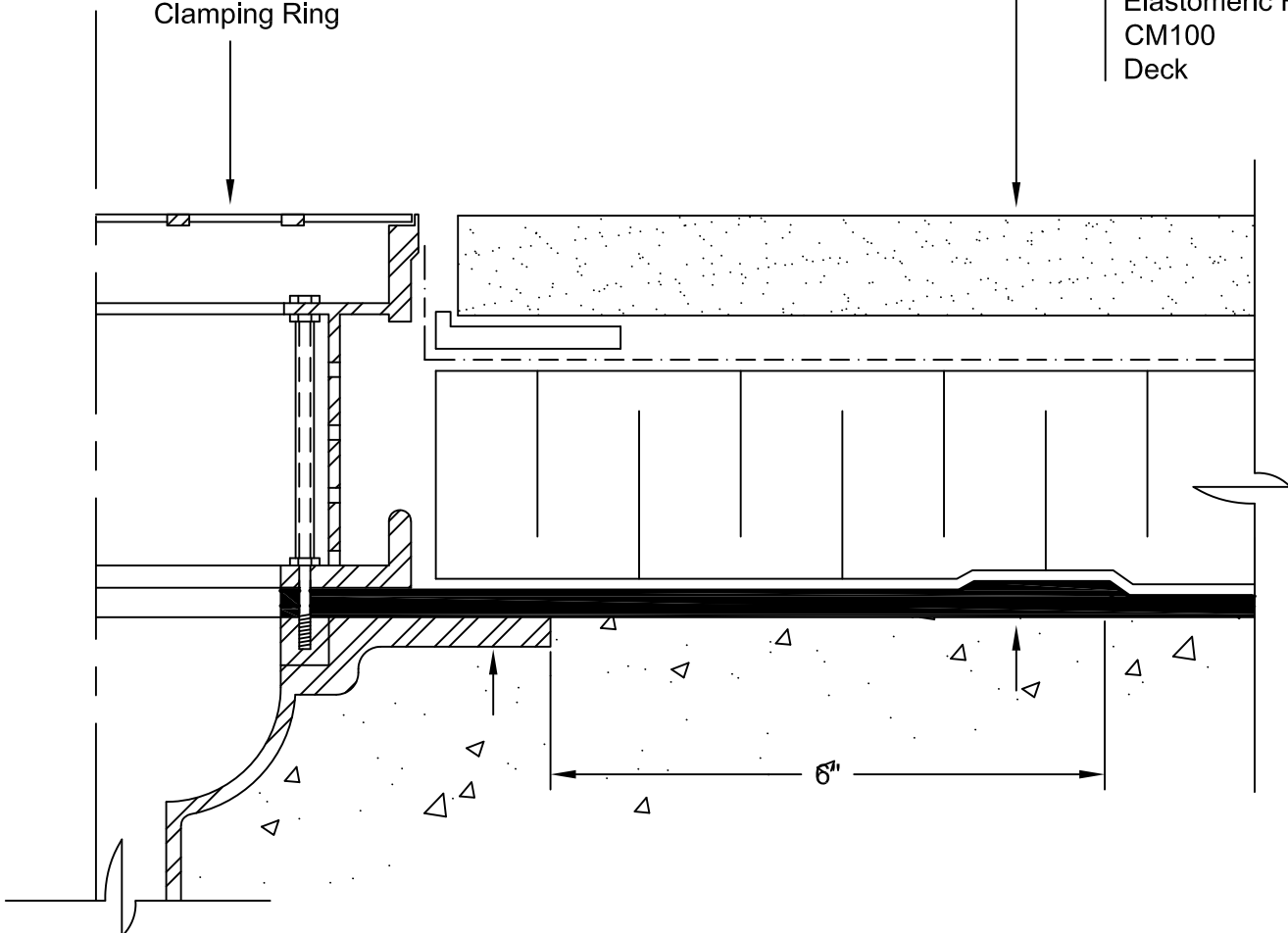


Drain Assembly
with
Integrated
Clamping Ring

Pavers or Stone Ballast
Filter Fabric
Insulation
Protection Course
CM100
Polyester Reinforcement
CM100
Elastomeric Flashing Sheet
CM100
Deck



Notes:

1. The elastomeric flashing sheet is set in a bed of CM100 and extends 6 inches beyond the drain flange prior to the application of polyester reinforcement.



CM100 WATERPROOFING - HIGH BUILD SYSTEM

SCALE: N.T.S.

TYPICAL PLAZA DECK ASSEMBLY

05-05-09

**DRAIN
DETAIL**

CM-HB06