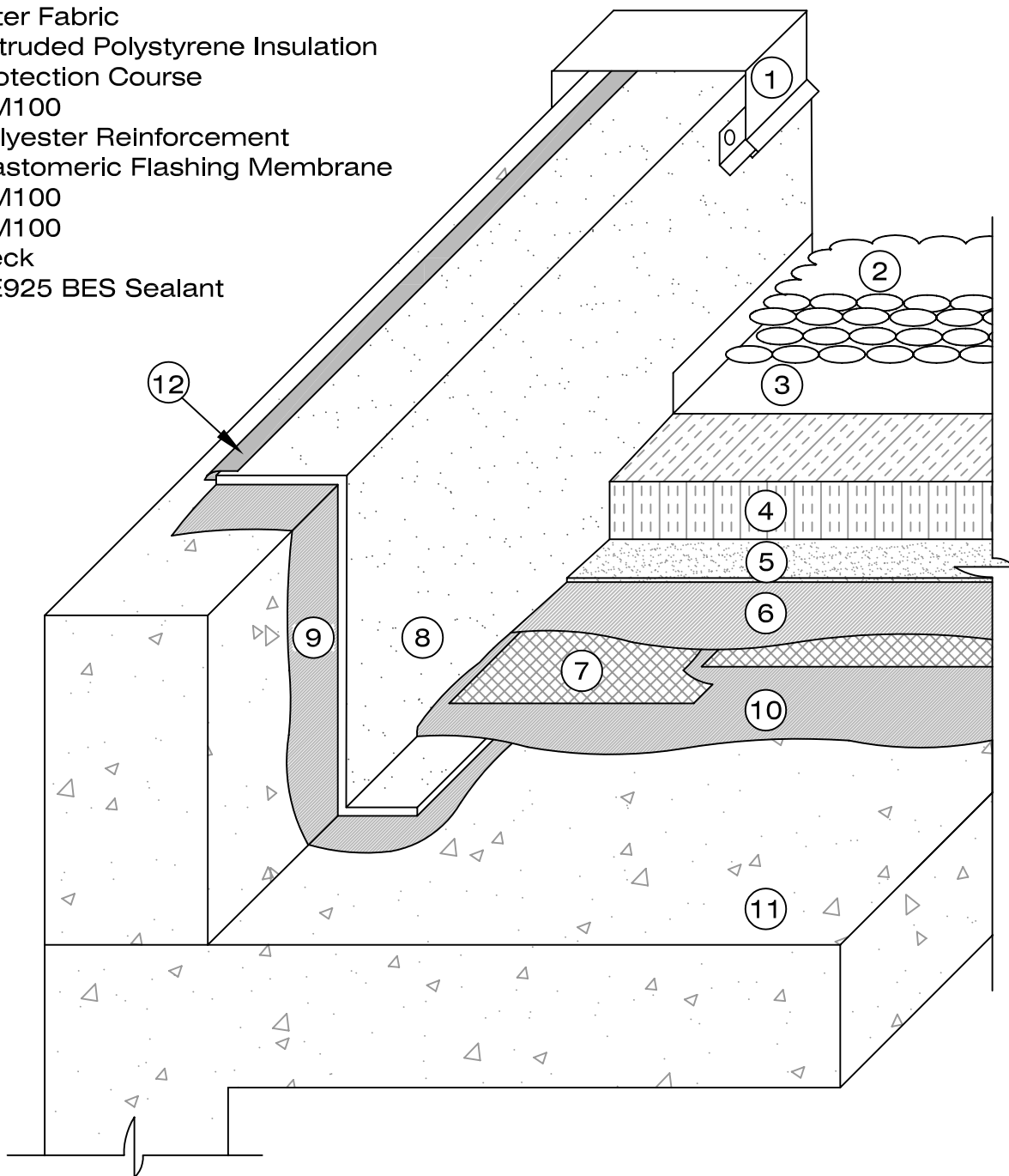


1. Metal Cap Flashing
2. Pavers or stone ballast
3. Filter Fabric
4. Extruded Polystyrene Insulation
5. Protection Course
6. CM100
7. Polyester Reinforcement
8. Elastomeric Flashing Membrane
9. CM100
10. CM100
11. Deck
12. HE925 BES Sealant



Notes:

1. System detail flashing membrane is exposed elastomeric flashing sheet.
2. The polyester reinforcement overlaps approximately $\frac{1}{4}$ ". A coat of CM100 must be applied at the laps as shown.