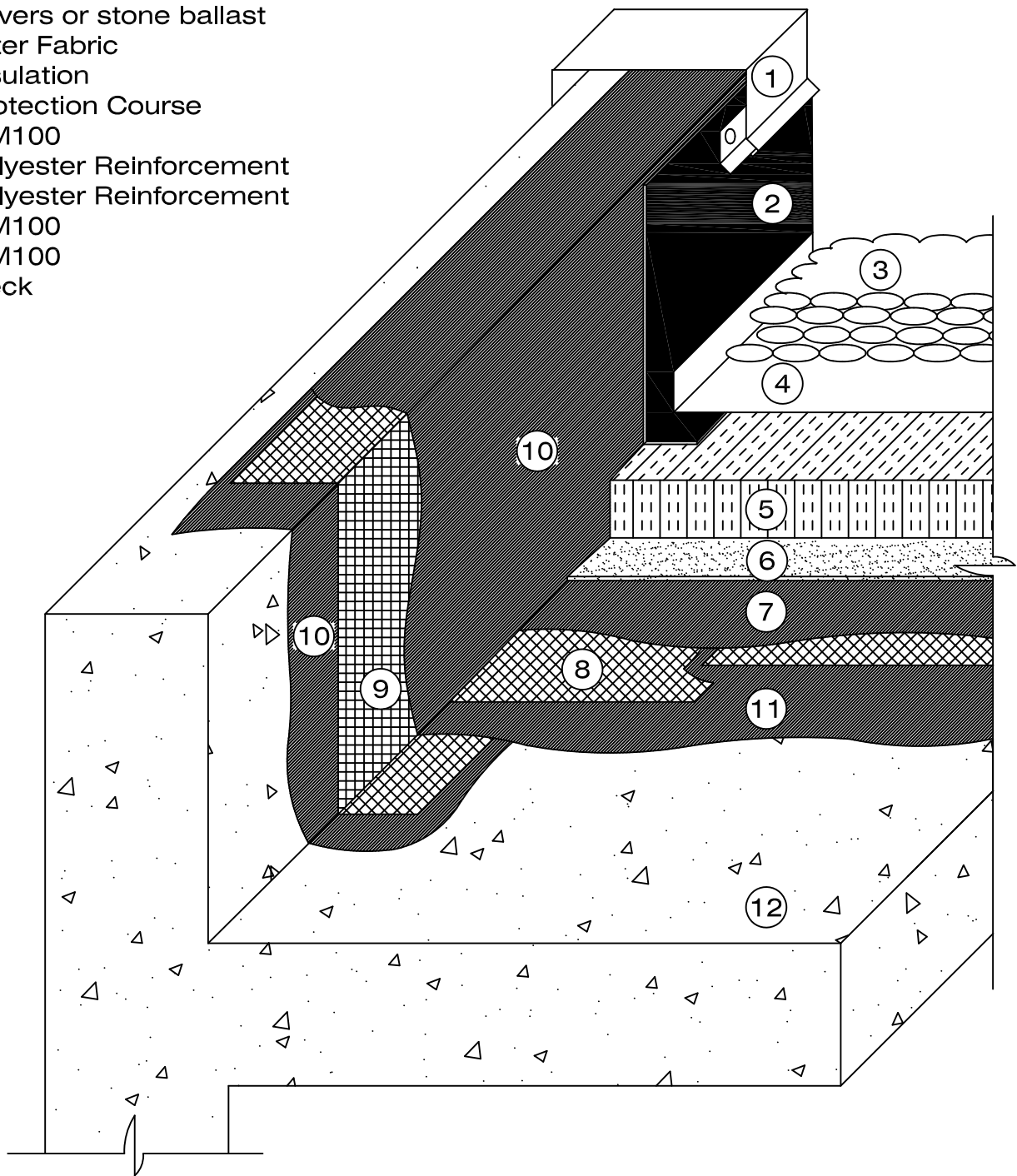


1. Metal Cap Flashing
2. Metal Flashing
3. Pavers or stone ballast
4. Filter Fabric
5. Insulation
6. Protection Course
7. CM100
8. Polyester Reinforcement
9. Polyester Reinforcement
10. CM100
11. CM100
12. Deck



Notes:

1. System detail flashing membrane is concealed 2 ply polyester reinforced CM100.
2. The polyester reinforcement overlaps approximately $\frac{1}{4}$ ". A coat of CM100 must be applied at the laps as shown.

Henry
COMPANY®

CM100 MEMBRANE - HIGH BUILD SYSTEM

SCALE: N.T.S.

CONCEALED POLYESTER REINFORCED FLASHING

05-05-09

**CONCRETE CURB
DETAIL**

CM-HB09