

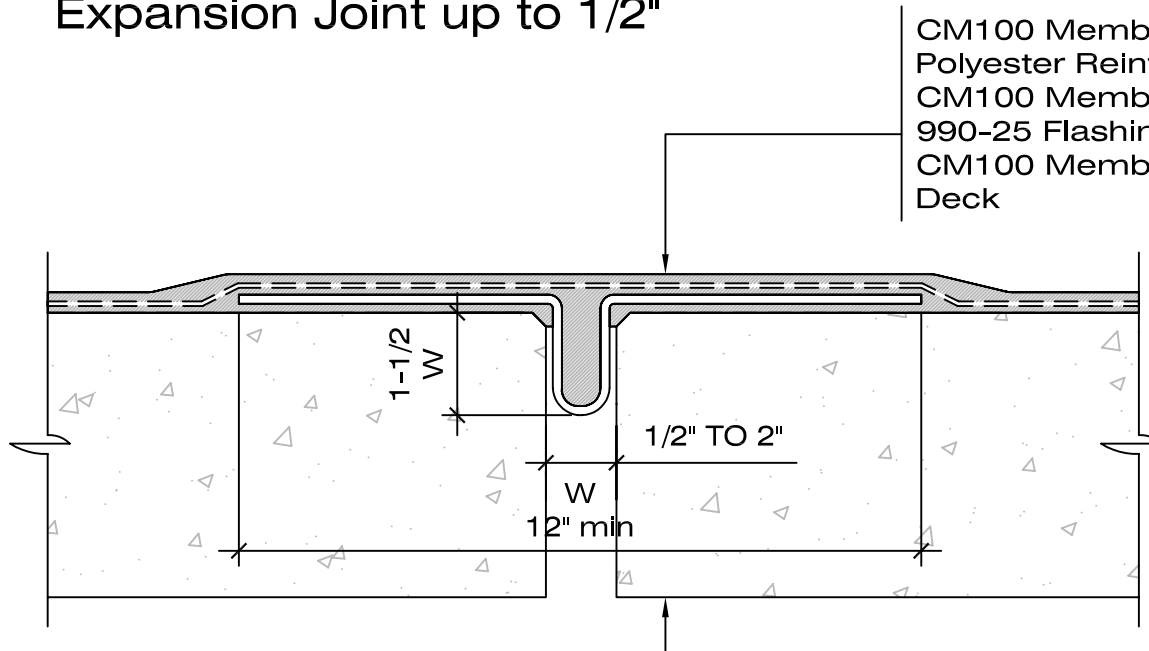
CM100 Membrane  
 Polyester Reinforcement  
 CM100 Membrane  
 990-25 Flashing Sheet  
 CM100 Membrane  
 Deck

Backer Rod

1/2" max

12" min

Expansion Joint up to 1/2"



CM100 Membrane  
 Polyester Reinforcement  
 CM100 Membrane  
 990-25 Flashing Sheet  
 CM100 Membrane  
 Deck

1-1/2  
 W

1/2" TO 2"

W  
 12" min

Expansion Joint 1/2" to 2"

Notes:

1. Where excessive movement or vibration is expected, the designer should consider using a termination bar, mechanically fastened through the flashing sheet 12" o.c. on both sides of the joint.
2. Protection Layer not shown for clarity.