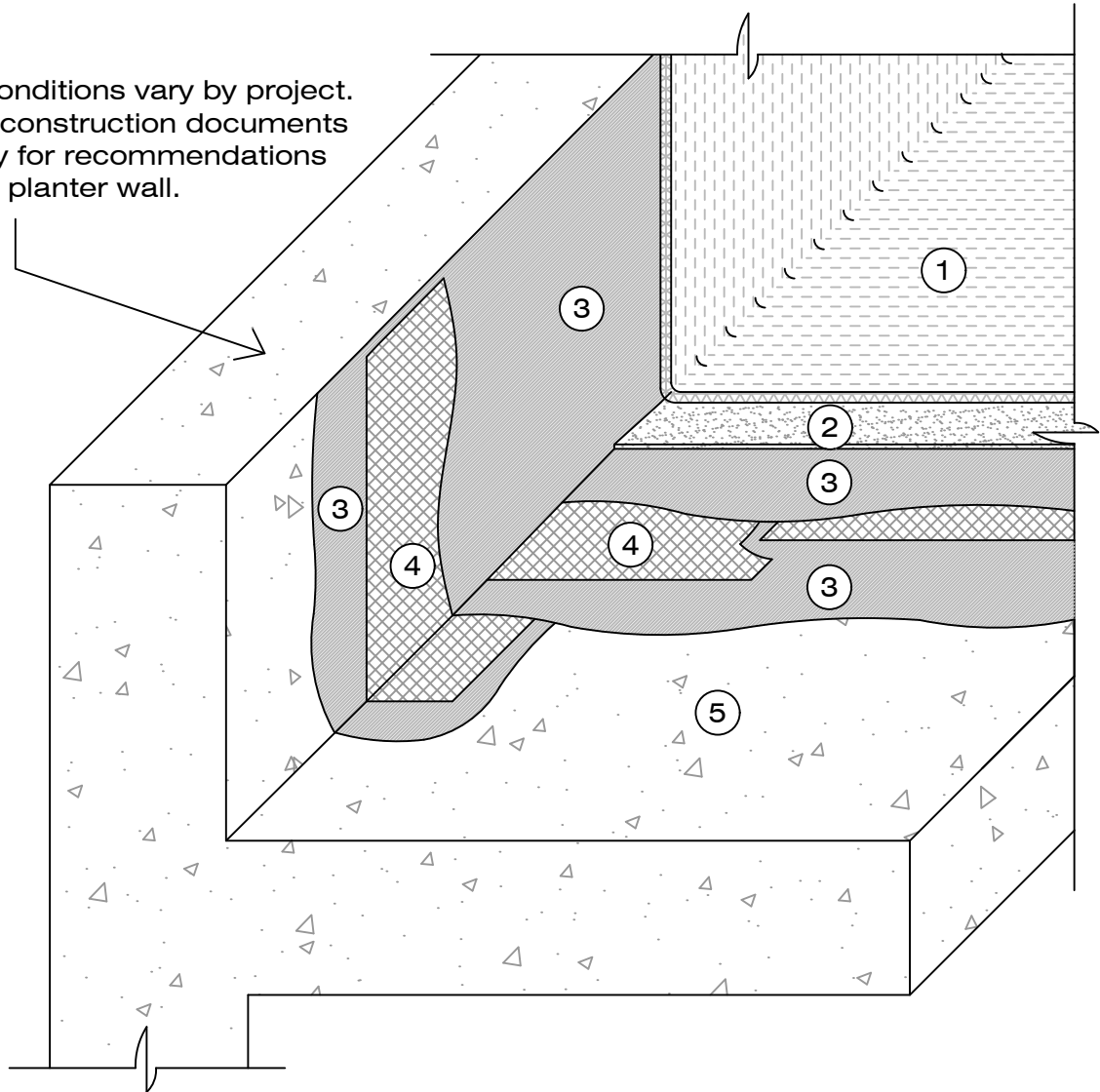


1. Henry Drain Board
2. GR08 Protection Course
3. CM100
4. Polyfab Reinforcing Fabric
5. Structural Concrete Deck

Top of planter conditions vary by project. Refer to project construction documents or contact Henry for recommendations regarding top of planter wall.



Notes:

1. System detail depicts 2 ply polyester reinforced CM100 membrane.
2. The polyester reinforcement overlaps approximately  $\frac{1}{4}$ ". A coat of CM100 must be applied at the laps as shown.
3. Refer to Henry CM100 Guide Specification and Technical Data Sheets at [www.henry.com](http://www.henry.com) for additional information.

**Henry**  
COMPANY®

CM100 MEMBRANE - HIGH BUILD SYSTEM

SCALE: N.T.S.

CONCEALED POLYESTER REINFORCED FLASHING

05-05-11

**PLANTER  
DETAIL**

**CM-HB22**