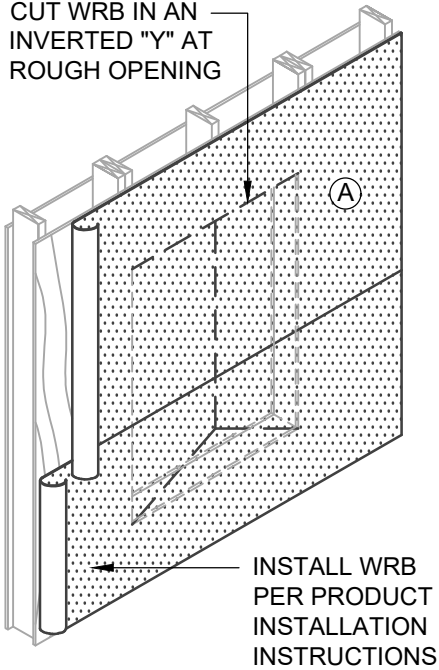
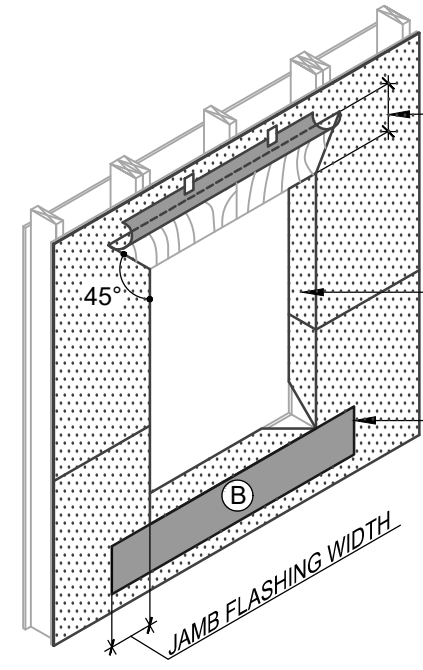


CUT WRB IN AN INVERTED "Y" AT ROUGH OPENING



1 WEATHER-RESISTIVE BARRIER (WRB)

INSTALL WRB PER PRODUCT INSTALLATION INSTRUCTIONS

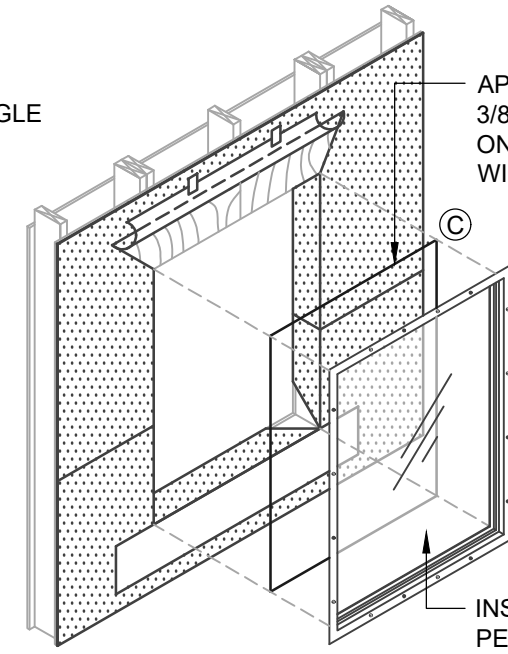


2 HEADER PREPARATION AND SILL FLASHING

CUT WRB AT 45° ANGLE TO MATCH HEADER FLASHING HEIGHT AND FOLD UP

WRAP WRB INTO ROUGH OPENING

INSTALL HENRY FLASHING FLUSH WITH ROUGH OPENING



3 WINDOW INSTALLATION

APPLY A CONTINUOUS 3/8" BEAD OF SEALANT ON INTERIOR SIDE OF WINDOW FLANGE

INSTALL WINDOW PER WINDOW MANUFACTURER REQUIREMENTS

Henry RESIDENTIAL AND LIGHT COMMERCIAL WEATHER-RESISTIVE BARRIER ASSEMBLY

WEATHER-RESISTIVE BARRIER (WRB) COMPONENTS

- (A) HENRY WEATHER-RESISTIVE BARRIER
- (B) HENRY SELF-ADHERED SILL FLASHING
- (C) HENRY MOISTOP SEALANT
- (D) HENRY SELF-ADHERED JAMB FLASHING
- (E) HENRY SELF-ADHERED HEADER FLASHING
- (F) HENRY SHEATHING TAPE



FORTIFIBER® 1-2-3 MOISTURE CONTROL SYSTEM WEATHER-RESISTIVE BARRIER (WRB) INSTALLATION GUIDELINES



SCAN THE QR CODE FOR A VIDEO INSTALLATION.

NOTES

1. QUALIFYING HENRY WEATHER-RESISTIVE BARRIER ASSEMBLY INSTALLATIONS MAY BE ELIGIBLE FOR THE 15-YEAR RESIDENTIAL AND LIGHT COMMERCIAL FORTIFIBER 1-2-3 MOISTURE CONTROL SYSTEM WARRANTY. VISIT WWW.HENRY.COM/WARRANTY FOR ADDITIONAL INFORMATION.



999 N. Pacific Coast Highway, Suite 800
El Segundo, CA 90245
800-486-1278 • www.henry.com

MECHANICALLY ATTACHED WEATHER-RESISTIVE BARRIER FLANGED WINDOW - METHOD A1

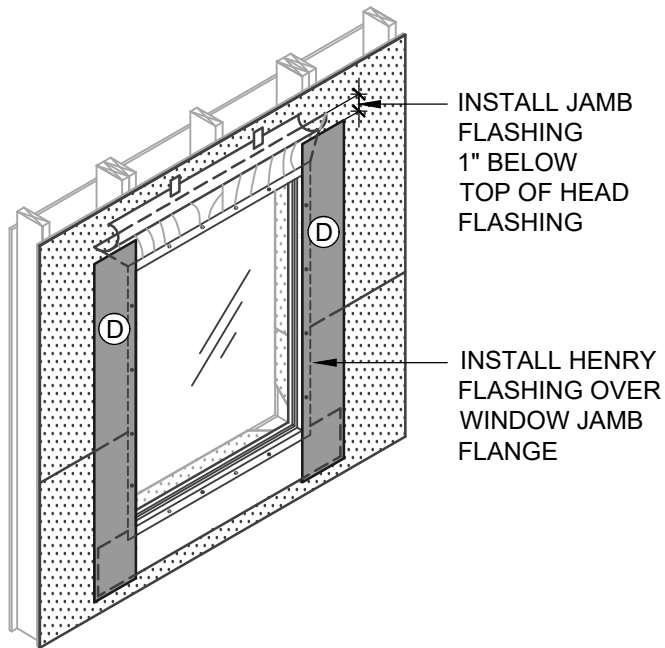
WINDOW INSTALLATION FOR LOW WIND AND WATER EXPOSURE FLASHING INSTALLED AFTER WRB

MANUFACTURER INSTALLATION GUIDELINES ARE FOR REFERENCE ONLY. HENRY DOES NOT ASSUME RESPONSIBILITY FOR ERRORS OR DEVIATIONS IN DESIGN OR ENGINEERING. PROJECT SPECIFIC VERIFICATION IS RECOMMENDED PRIOR TO INSTALLATION. DETAILS ARE NOT TO SCALE. REFER TO PRODUCT SPECIFIC TECHNICAL DATA SHEET FOR PRODUCT INFORMATION, RECOMMENDED AUXILIARY COMPONENTS AND INSTALLATION INSTRUCTIONS.

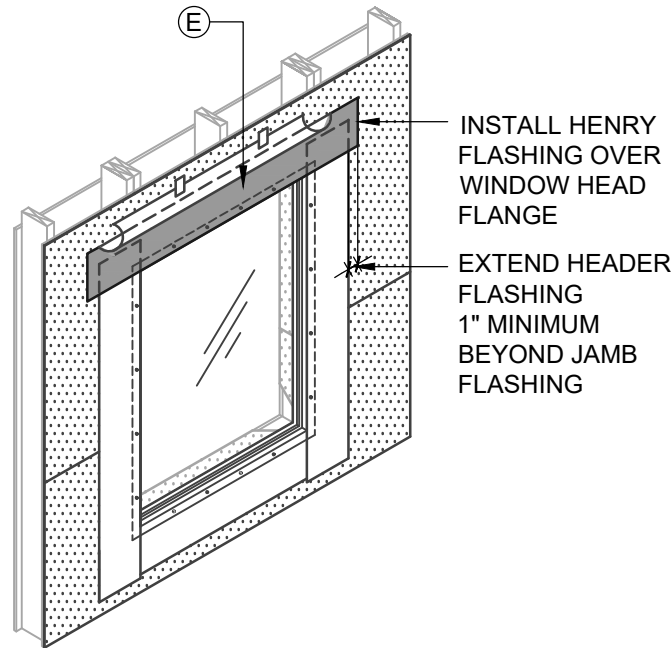
05-26-2020

PAGE 1 OF 2

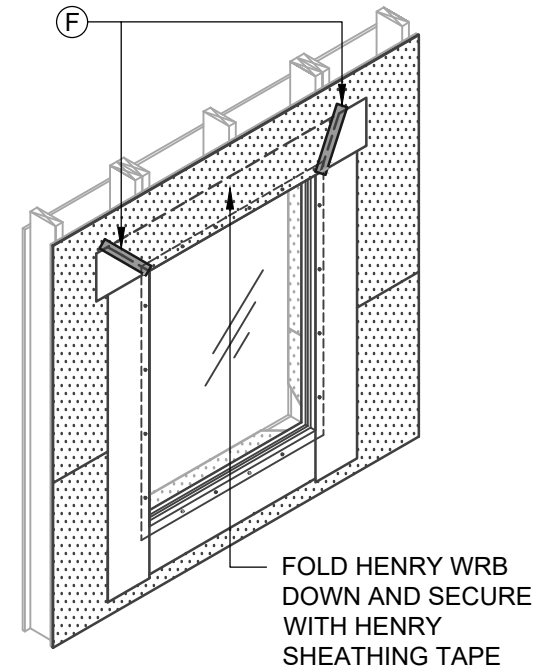
MAWRB-6A1



4 JAMB FLASHING
INSTALLATION



5 HEADER FLASHING
INSTALLATION



6 SECURE WRB
AT HEADER

INSTALLATION GUIDELINES AND LIMITATIONS

1. INSTALLATION "METHOD A1" REFERS TO COMMON WINDOWS (SURFACE MOUNTED). INSTALL WINDOW PER WINDOW MANUFACTURER REQUIREMENTS.
2. SEE PRODUCT SPECIFIC TECHNICAL DATA SHEET FOR ROLL SIZES, MAXIMUM UV EXPOSURE, COMPATIBILITY CONCERNS, APPLICATION TEMPERATURES AND SERVICE TEMPERATURE LIMITATIONS.
3. FLASHINGS MAY NOT BE COMPATIBLE WITH ALL SEALANTS. USE **MOISTOP SEALANT** OR VERIFY COMPATIBILITY AS DIRECTED IN AAMA 713.
4. INSTALLATIONS WITHOUT A DRAINAGE SILL PAN ARE LIMITED TO LOW WIND AND WATER EXPOSURE CONDITIONS.
5. USE EXTERIOR GRADE FASTENERS TO INSTALL AND SECURE THE WEATHER-RESISTIVE BARRIER UNTIL COVERED WITH EXTERIOR CLADDING.
6. SUBSTRATES MUST BE CLEAN AND DRY.
7. SELF-ADHERED FLASHING MAY REQUIRE A PRIMER FOR OPTIMAL ADHESION TO SOME SURFACES AND/OR SUBSTRATE TEMPERATURES.
8. ROLL SELF-ADHERED FLASHING TO OBTAIN CONTINUOUS ADHESION.
9. VERIFY WEATHER-RESISTIVE BARRIER IS FREE FROM PROTRUSIONS OR DAMAGE PRIOR TO CLADDING INSTALLATION.
10. CONTACT HENRY AT 800-773-4777 FOR TECHNICAL ASSISTANCE.

Henry[®]

999 N. Pacific Coast Highway, Suite 800
El Segundo, CA 90245
800-486-1278 • www.henry.com

**MECHANICALLY ATTACHED WEATHER-RESISTIVE BARRIER
FLANGED WINDOW - METHOD A1
WINDOW INSTALLATION FOR LOW WIND AND WATER EXPOSURE
FLASHING INSTALLED AFTER WRB**

MANUFACTURER INSTALLATION GUIDELINES ARE FOR REFERENCE ONLY. HENRY DOES NOT ASSUME RESPONSIBILITY FOR ERRORS OR DEVIATIONS IN DESIGN OR ENGINEERING. PROJECT SPECIFIC VERIFICATION IS RECOMMENDED PRIOR TO INSTALLATION. DETAILS ARE NOT TO SCALE. REFER TO PRODUCT SPECIFIC TECHNICAL DATA SHEET FOR PRODUCT INFORMATION, RECOMMENDED AUXILIARY COMPONENTS AND INSTALLATION INSTRUCTIONS.

05-26-2020

PAGE 2 OF 2

MAWRB-6A1