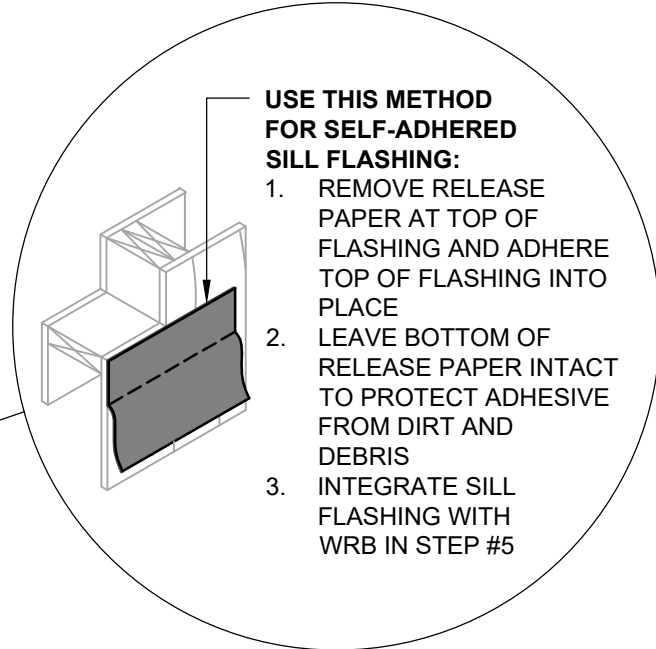
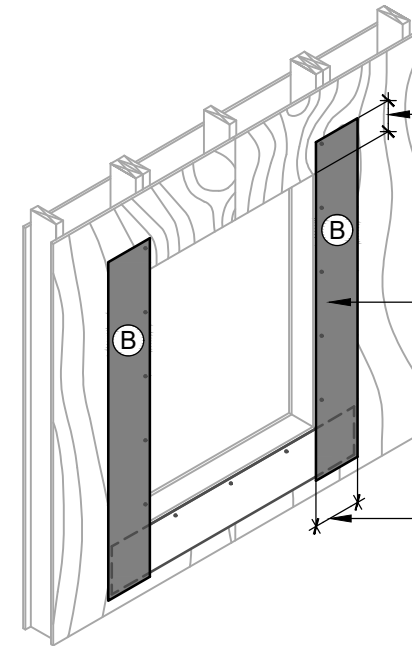


**1** SILL FLASHING AND PREPARATION



**USE THIS METHOD FOR SELF-ADHERED SILL FLASHING:**

1. REMOVE RELEASE PAPER AT TOP OF FLASHING AND ADHERE TOP OF FLASHING INTO PLACE
2. LEAVE BOTTOM OF RELEASE PAPER INTACT TO PROTECT ADHESIVE FROM DIRT AND DEBRIS
3. INTEGRATE SILL FLASHING WITH WRB IN STEP #5



**2** JAMB FLASHING INSTALLATION

INSTALL HENRY FLASHING 1" BELOW TOP OF HEADER FLASHING

INSTALL HENRY FLASHING FLUSH WITH ROUGH OPENING

**FLASHING WIDTHS VARY**

1. NAIL-ON FLASHING: 9" WIDE FLASHING MINIMUM
2. SELF-ADHERED FLASHING: 6" WIDE FLASHING MINIMUM

**Henry** RESIDENTIAL AND LIGHT COMMERCIAL WEATHER-RESISTIVE BARRIER ASSEMBLY

WEATHER-RESISTIVE BARRIER (WRB) COMPONENTS	
(A)	HENRY SILL FLASHING
(B)	HENRY JAMB FLASHING
(C)	HENRY MOISTOP SEALANT
(D)	HENRY HEADER FLASHING
(E)	HENRY WEATHER-RESISTIVE BARRIER



**FORTIFIBER 1-2-3 MOISTURE CONTROL SYSTEM WEATHER-RESISTIVE BARRIER (WRB) INSTALLATION GUIDELINES**



SCAN THE QR CODE FOR A VIDEO INSTALLATION.

**NOTES**

1. QUALIFYING HENRY WEATHER-RESISTIVE BARRIER ASSEMBLY INSTALLATIONS MAY BE ELIGIBLE FOR THE 15-YEAR RESIDENTIAL AND LIGHT COMMERCIAL FORTIFIBER 1-2-3 MOISTURE CONTROL SYSTEM WARRANTY. VISIT [WWW.HENRY.COM/WARRANTY](http://WWW.HENRY.COM/WARRANTY) FOR ADDITIONAL INFORMATION.



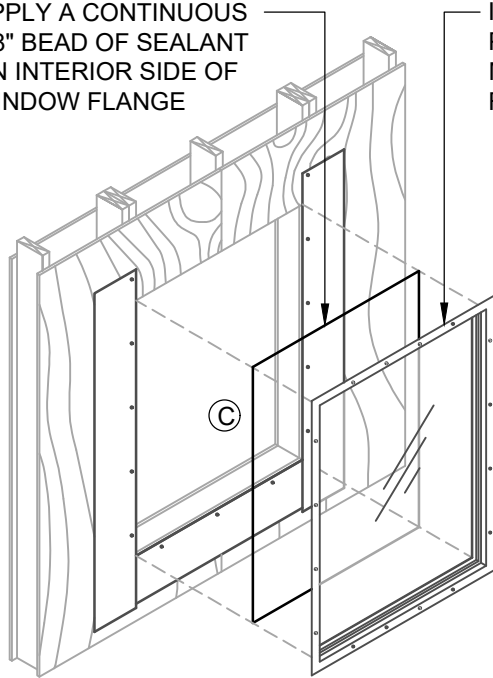
999 N. Pacific Coast Highway, Suite 800  
El Segundo, CA 90245  
800-486-1278 • [www.henry.com](http://www.henry.com)

**MECHANICALLY ATTACHED WEATHER-RESISTIVE BARRIER FLANGED WINDOW - METHOD B**

**WINDOW INSTALLATION FOR LOW WIND AND WATER EXPOSURE FLASHING INSTALLED BEFORE WRB**

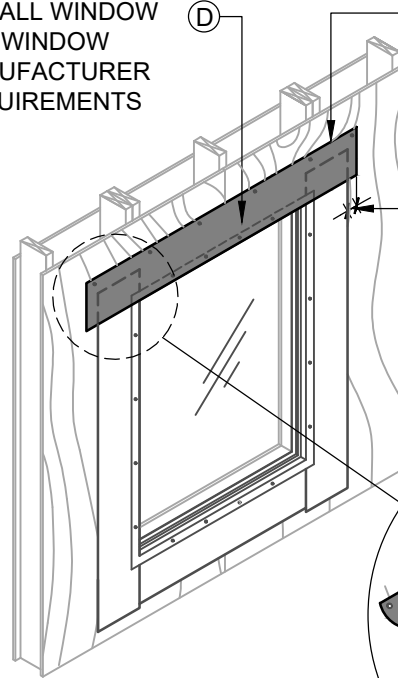
MANUFACTURER INSTALLATION GUIDELINES ARE FOR REFERENCE ONLY. HENRY DOES NOT ASSUME RESPONSIBILITY FOR ERRORS OR DEVIATIONS IN DESIGN OR ENGINEERING. PROJECT SPECIFIC VERIFICATION IS RECOMMENDED PRIOR TO INSTALLATION. DETAILS ARE NOT TO SCALE. REFER TO PRODUCT SPECIFIC TECHNICAL DATA SHEET FOR PRODUCT INFORMATION, RECOMMENDED AUXILIARY COMPONENTS AND INSTALLATION INSTRUCTIONS.

APPLY A CONTINUOUS 3/8" BEAD OF SEALANT ON INTERIOR SIDE OF WINDOW FLANGE



### 3 WINDOW INSTALLATION

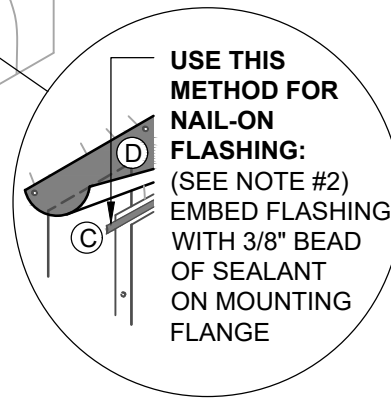
INSTALL WINDOW PER WINDOW MANUFACTURER REQUIREMENTS



### 4 WINDOW INSTALLATION

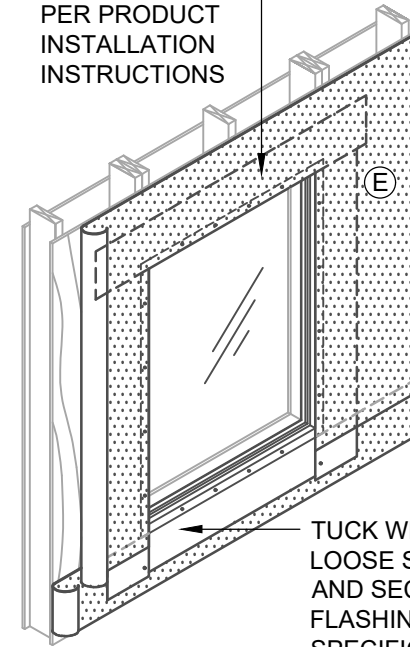
INSTALL HENRY FLASHING OVER WINDOW HEAD FLANGE

EXTEND HEADER FLASHING 1" MINIMUM BEYOND JAMB FLASHING



**USE THIS METHOD FOR NAIL-ON FLASHING:**  
(SEE NOTE #2)  
EMBED FLASHING WITH 3/8" BEAD OF SEALANT ON MOUNTING FLANGE

INSTALL WRB PER PRODUCT INSTALLATION INSTRUCTIONS



### 5 WEATHER-RESISTIVE BARRIER (WRB)

TUCK WRB UNDER LOOSE SILL FLASHING AND SECURE SILL FLASHING PER PRODUCT SPECIFIC INSTRUCTIONS

#### INSTALLATION GUIDELINES AND LIMITATIONS

1. INSTALLATION "METHOD B" REFERS TO COMMON WINDOWS (SURFACE MOUNTED). INSTALL WINDOW PER WINDOW MANUFACTURER REQUIREMENTS.
2. THIS INSTALLATION GUIDELINE IS INTENDED FOR NAIL-ON FLASHINGS, BUT MAY BE USED AS A REFERENCE FOR SELF-ADHERED FLASHINGS. SELF-ADHERED FLASHINGS DO NOT REQUIRE FASTENING OR HEADER FLASHING SEALANT EMBEDMENT.
3. SEE PRODUCT SPECIFIC TECHNICAL DATA SHEET FOR ROLL SIZES, MAXIMUM UV EXPOSURE, COMPATIBILITY CONCERNS, APPLICATION TEMPERATURES AND SERVICE TEMPERATURE LIMITATIONS.
4. FLASHINGS MAY NOT BE COMPATIBLE WITH ALL SEALANTS. USE **MOISTOP SEALANT** OR VERIFY COMPATIBILITY AS DIRECTED IN AAMA 713.
5. INSTALLATIONS WITHOUT A DRAINAGE SILL PAN ARE LIMITED TO LOW WIND AND WATER EXPOSURE CONDITIONS.
6. USE EXTERIOR GRADE FASTENERS TO INSTALL AND SECURE FLASHINGS AND WEATHER-RESISTIVE BARRIER UNTIL COVERED WITH EXTERIOR CLADDING.
7. SUBSTRATES MUST BE CLEAN AND DRY.
8. SELF-ADHERED FLASHING MAY REQUIRE A PRIMER FOR OPTIMAL ADHESION TO SOME SURFACES AND/OR SUBSTRATE TEMPERATURES.
9. ROLL SELF-ADHERED FLASHING TO OBTAIN CONTINUOUS ADHESION.
10. VERIFY WEATHER-RESISTIVE BARRIER IS FREE FROM PROTRUSIONS OR DAMAGE PRIOR TO CLADDING INSTALLATION.
11. CONTACT HENRY AT 800-773-4777 FOR TECHNICAL ASSISTANCE.

# Henry®

999 N. Pacific Coast Highway, Suite 800  
El Segundo, CA 90245  
800-486-1278 • www.henry.com

## MECHANICALLY ATTACHED WEATHER-RESISTIVE BARRIER FLANGED WINDOW - METHOD B

WINDOW INSTALLATION FOR LOW WIND AND WATER EXPOSURE  
FLASHING INSTALLED BEFORE WRB

MANUFACTURER INSTALLATION GUIDELINES ARE FOR REFERENCE ONLY. HENRY DOES NOT ASSUME RESPONSIBILITY FOR ERRORS OR DEVIATIONS IN DESIGN OR ENGINEERING. PROJECT SPECIFIC VERIFICATION IS RECOMMENDED PRIOR TO INSTALLATION. DETAILS ARE NOT TO SCALE. REFER TO PRODUCT SPECIFIC TECHNICAL DATA SHEET FOR PRODUCT INFORMATION, RECOMMENDED AUXILIARY COMPONENTS AND INSTALLATION INSTRUCTIONS.

04-07-2021

PAGE 2 OF 2

MAWRB-6B