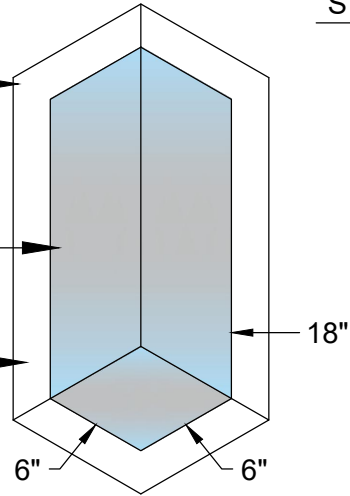


STEP-1

MECHANICALLY
FIX AT CORNERS
AS-NECESSARY

MIRAWELD™
INSIDE CORNER

TPO SELVEDGE



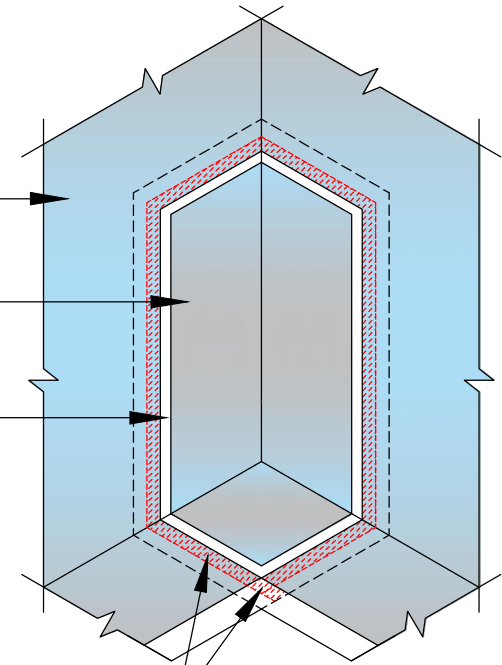
STEP-2

MIRAWELD-V

MIRAWELD
INSIDE CORNER

LEAVE 1/2" WIDE STRIP
OF TPO EXPOSED

1-1/2" MIN. HOT-AIR WELD

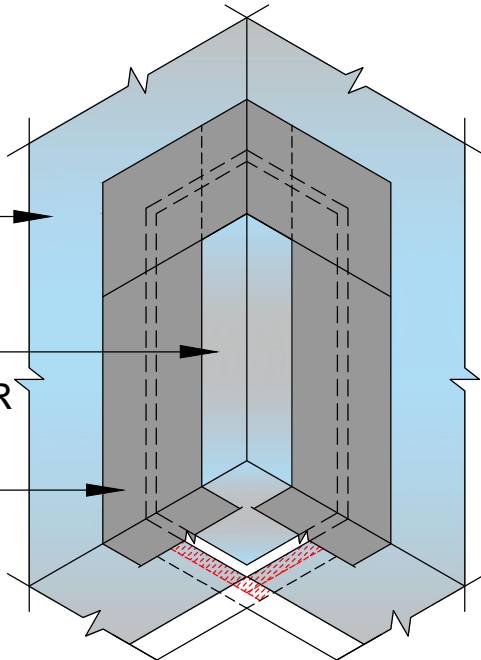


STEP-3

MIRAWELD-V

MIRAWELD
INSIDE CORNER

MIRAPLY™
DETAIL TAPE



NOTES:

1. Use CCW approved fasteners to secure the MiraWeld Inside Corner as necessary.
2. Install MiraWELD-V to MiraWELD Inside Corner with a minimum 1-1/2" continuous hot-air weld.
3. Ensure the membrane lays flat and no openings are visible.
4. All hot-air welded seams must be probed for integrity.
5. Apply MiraPLY Detail Tape centered over all welded seams and roll with a 2" silicone roller.
6. Refer to Technical Data Sheets for additional information.

DETAIL IS INTENDED TO BE A GUIDE FOR
WATERPROOFING INSTALLATION ONLY.

02.24.2021 | N.T.S.

MW-80

MiraWELD™ BLINDSIDE WATERPROOFING

MIRAWELD INSIDE CORNER



© 2021 CARLISLE CORPORATION