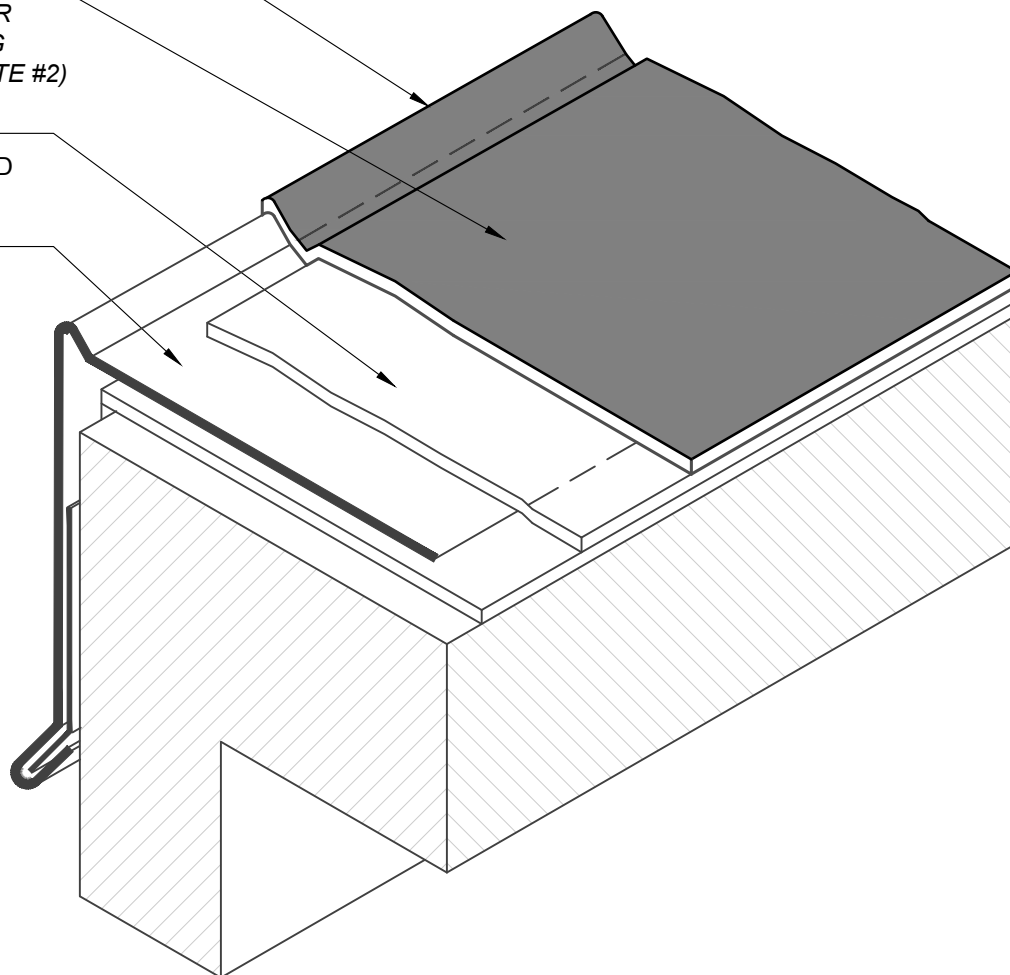


EXTEND **PRO-GRADE® 988**
TO EDGE OF EXISTING
EDGE-METAL FLASHING

PRO-GRADE® 988
(*STAIN BLOCKING PRIMER
REQUIRED FOR EXISTING
MB/BUR ROOFS -SEE NOTE #2*)

EXISTING PREVIOUSLY
COATED OR NON-COATED
ROOFING ASSEMBLY

EXISTING EMBEDDED
EDGE-METAL FLASHING



NOTES:

1. DETAIL SHOWS **PRO-GRADE® 988** INSTALLED OVER AN EXISTING PREVIOUSLY COATED OR NON-COATED ROOFING ASSEMBLY. ACCEPTABLE SUBSTRATES INCLUDE GRANULATED OR SMOOTH SURFACED MODIFIED BITUMEN (MB), SMOOTH SURFACED ASPHALT BUILT-UP ROOFING (BUR), AGED EPDM, PVC, HYPALON® OR TPO.
2. INSTALL **PRO-GRADE® 294** STAIN BLOCKING PRIMER ONTO EXISTING MB/BUR ROOF PRIOR TO FLASHING/COATING INSTALLATION (STAIN BLOCKING PRIMER NOT SHOWN FOR CLARITY).
3. COMPLETE ALL DETAILING PRIOR TO INSTALLATION OF ROOF COATING.
4. DECK AND EXISTING ROOFING ASSEMBLY SHOWN ARE FOR REFERENCE ONLY.
5. REFER TO **PRO-GRADE® 988** GUIDE SPECIFICATION, INSTALLATION MANUAL AND/OR APPLICATION GUIDE FOR RECOMMENDED INSTALLATION PROCEDURES.
6. REFER TO **PRO-GRADE® 988** WARRANTY CHART FOR SUBSTRATE SPECIFIC FIELD COATING MINIMUM REQUIREMENTS.

Henry®

999 N. Sepulveda Blvd., Suite 800
El Segundo, CA 90245
800-486-1278 • www.henry.com

MANUFACTURER GUIDE DETAILS ARE FOR REFERENCE ONLY. HENRY® DOES NOT ASSUME RESPONSIBILITY FOR ERRORS OR DEVIATIONS IN DESIGN OR ENGINEERING. PROJECT SPECIFIC VERIFICATION IS RECOMMENDED PRIOR TO INSTALLATION.

PRO-GRADE® 988 SILICONE ROOF COATING

ROOF EDGE

EMBEDDED EDGE-METAL FLASHING [GRAVEL STOP]
ON A MEMBRANE ROOF

SCALE: N.T.S.

06-20-2017

PG988-1B