

EXTEND **PRO-GRADE® 988** ONTO EXISTING SHEET-METAL EXPANSION JOINT COVER COMPLETELY ENCAPSULATING ALL SURFACES (DO NOT INSTALL **PRO-GRADE® 988** OVER **KYNAR®** COATED METAL)

EXISTING SHEET-METAL EXPANSION JOINT COVER

COMPLETELY ENCAPSULATE FASTENER HEADS PRIOR TO **PRO-GRADE® 988** INSTALLATION USING ONE OF THE FOLLOWING SEALANTS:

- **PRO-GRADE® 920**
- **PRO-GRADE® 923**
- **PRO-GRADE® 957**

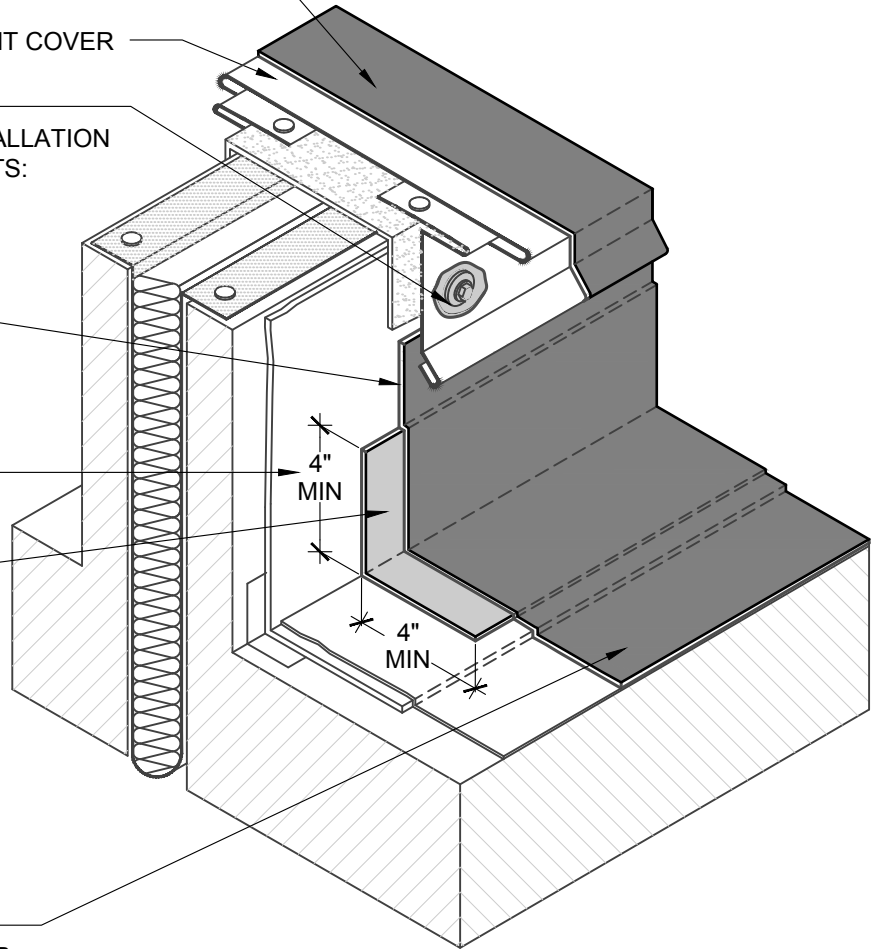
EXTEND **PRO-GRADE® 988** UNDER FLASHING THOROUGHLY COATING EXPOSED AREAS OF EXISTING ROOFING AND UNDERSIDE OF FLASHING

EXISTING PREVIOUSLY COATED OR NON-COATED ROOFING ASSEMBLY

PRETREAT CORNER AT UPTURN PRIOR TO **PRO-GRADE® 988** COATING INSTALLATION USING ONE OF THE METHODS BELOW: (STAIN BLOCKING PRIMER REQUIRED FOR EXISTING MB/BUR ROOFS -SEE NOTE #2)

- SEALANT (125 WET MILS)
 - **PRO-GRADE® 920**
 - **PRO-GRADE® 923**
 - **PRO-GRADE® 957**
- REINFORCED COATING (32 WET MILS)

PRO-GRADE® 988
(STAIN BLOCKING PRIMER REQUIRED FOR EXISTING MB/BUR ROOFS -SEE NOTE #2)



NOTES:

1. DETAIL SHOWS **PRO-GRADE® 988** INSTALLED OVER AN EXISTING PREVIOUSLY COATED OR NON-COATED ROOFING ASSEMBLY. ACCEPTABLE SUBSTRATES INCLUDE GRANULATED OR SMOOTH SURFACED MODIFIED BITUMEN (MB), SMOOTH SURFACED ASPHALT BUILT-UP ROOFING (BUR), AGED EPDM, PVC, HYPALON® OR TPO.
2. INSTALL **PRO-GRADE® 294** STAIN BLOCKING PRIMER ONTO EXISTING MB/BUR ROOF PRIOR TO FLASHING/COATING INSTALLATION (STAIN BLOCKING PRIMER NOT SHOWN FOR CLARITY).
3. COMPLETE ALL DETAILING PRIOR TO INSTALLATION OF ROOF COATING.
4. DECK AND EXISTING ROOFING ASSEMBLY SHOWN ARE FOR REFERENCE ONLY.
5. REFER TO **PRO-GRADE® 988** GUIDE SPECIFICATION, INSTALLATION MANUAL AND/OR APPLICATION GUIDE FOR RECOMMENDED INSTALLATION PROCEDURES.
6. REFER TO **PRO-GRADE® 988** WARRANTY CHART FOR SUBSTRATE SPECIFIC FIELD COATING MINIMUM REQUIREMENTS.



999 N. Sepulveda Blvd., Suite 800
El Segundo, CA 90245
800-486-1278 • www.henry.com

MANUFACTURER GUIDE DETAILS ARE FOR REFERENCE ONLY. HENRY® DOES NOT ASSUME RESPONSIBILITY FOR ERRORS OR DEVIATIONS IN DESIGN OR ENGINEERING. PROJECT SPECIFIC VERIFICATION IS RECOMMENDED PRIOR TO INSTALLATION.

PRO-GRADE® 988 SILICONE ROOF COATING

EXPANSION JOINT
EXPANSION JOINT WITH METAL COVER
ON A MEMBRANE ROOF

SCALE: N.T.S. 06-20-2017

PG988-4A