

EXTEND **PRO-GRADE® 988** ONTO
EXISTING SHEET-METAL AREA DIVIDER
COVER COMPLETELY ENCAPSULATING
ALL SURFACES

EXISTING SHEET-METAL
AREA DIVIDER COVER

COMPLETELY ENCAPSULATE
FASTENER HEADS PRIOR TO
PRO-GRADE® 988 INSTALLATION USING
ONE OF THE FOLLOWING SEALANTS:

- **PRO-GRADE® 920**
- **PRO-GRADE® 923**
- **PRO-GRADE® 957**

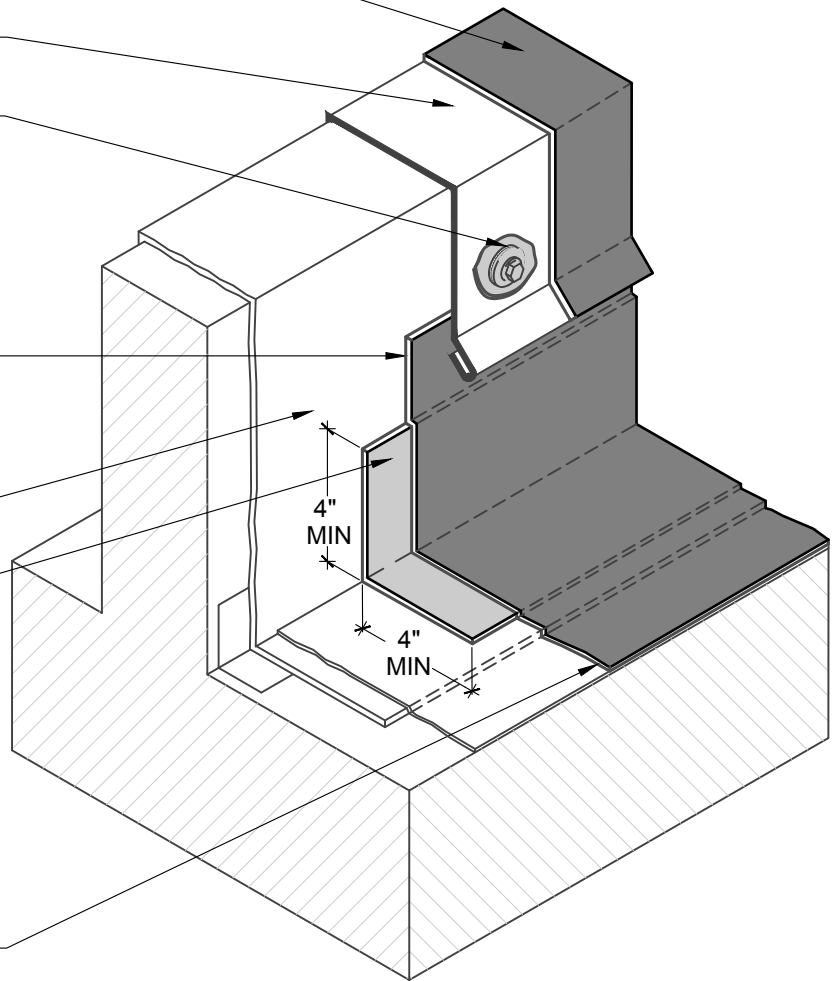
EXTEND **PRO-GRADE® 988** UNDER
FLASHING THOROUGHLY COATING
EXPOSED AREAS OF EXISTING ROOFING
AND UNDERSIDE OF FLASHING

EXISTING PREVIOUSLY COATED OR
NON-COATED ROOFING ASSEMBLY

PRETREAT CORNER AT UPTURN
PRIOR TO **PRO-GRADE® 988** COATING
INSTALLATION USING ONE OF THE
METHODS BELOW: (STAIN BLOCKING
PRIMER REQUIRED FOR EXISTING MB/BUR
ROOFS -SEE NOTE #2)

- SEALANT (125 WET MILS)
 - **PRO-GRADE® 920**
 - **PRO-GRADE® 923**
 - **PRO-GRADE® 957**
- REINFORCED COATING (32 WET MILS)

PRO-GRADE® 988
(STAIN BLOCKING PRIMER REQUIRED FOR
EXISTING MB/BUR ROOFS -SEE NOTE #2)



NOTES:

1. DETAIL SHOWS **PRO-GRADE® 988** INSTALLED OVER AN EXISTING PREVIOUSLY COATED OR NON-COATED ROOFING ASSEMBLY. ACCEPTABLE SUBSTRATES INCLUDE GRANULATED OR SMOOTH SURFACED MODIFIED BITUMEN (MB), SMOOTH SURFACED ASPHALT BUILT-UP ROOFING (BUR), AGED EPDM, PVC, HYPALON® OR TPO.
2. INSTALL **PRO-GRADE® 294** STAIN BLOCKING PRIMER ONTO EXISTING MB/BUR ROOF PRIOR TO FLASHING/COATING INSTALLATION (STAIN BLOCKING PRIMER NOT SHOWN FOR CLARITY).
3. COMPLETE ALL DETAILING PRIOR TO INSTALLATION OF ROOF COATING.
4. DECK AND EXISTING ROOFING ASSEMBLY SHOWN ARE FOR REFERENCE ONLY.
5. REFER TO **PRO-GRADE® 988** GUIDE SPECIFICATION, INSTALLATION MANUAL AND/OR APPLICATION GUIDE FOR RECOMMENDED INSTALLATION PROCEDURES.
6. REFER TO **PRO-GRADE® 988** WARRANTY CHART FOR SUBSTRATE SPECIFIC FIELD COATING MINIMUM REQUIREMENTS.

Henry®

999 N. Sepulveda Blvd., Suite 800
El Segundo, CA 90245
800-486-1278 • www.henry.com

MANUFACTURER GUIDE DETAILS ARE FOR REFERENCE ONLY. HENRY® DOES NOT ASSUME RESPONSIBILITY FOR ERRORS OR DEVIATIONS IN DESIGN OR ENGINEERING. PROJECT SPECIFIC VERIFICATION IS RECOMMENDED PRIOR TO INSTALLATION.

PRO-GRADE® 988 SILICONE ROOF COATING

RAISED CURB

AREA DIVIDER WITH A METAL COPING
ON A MEMBRANE ROOF

SCALE: N.T.S.

06-20-2017

PG988-5A