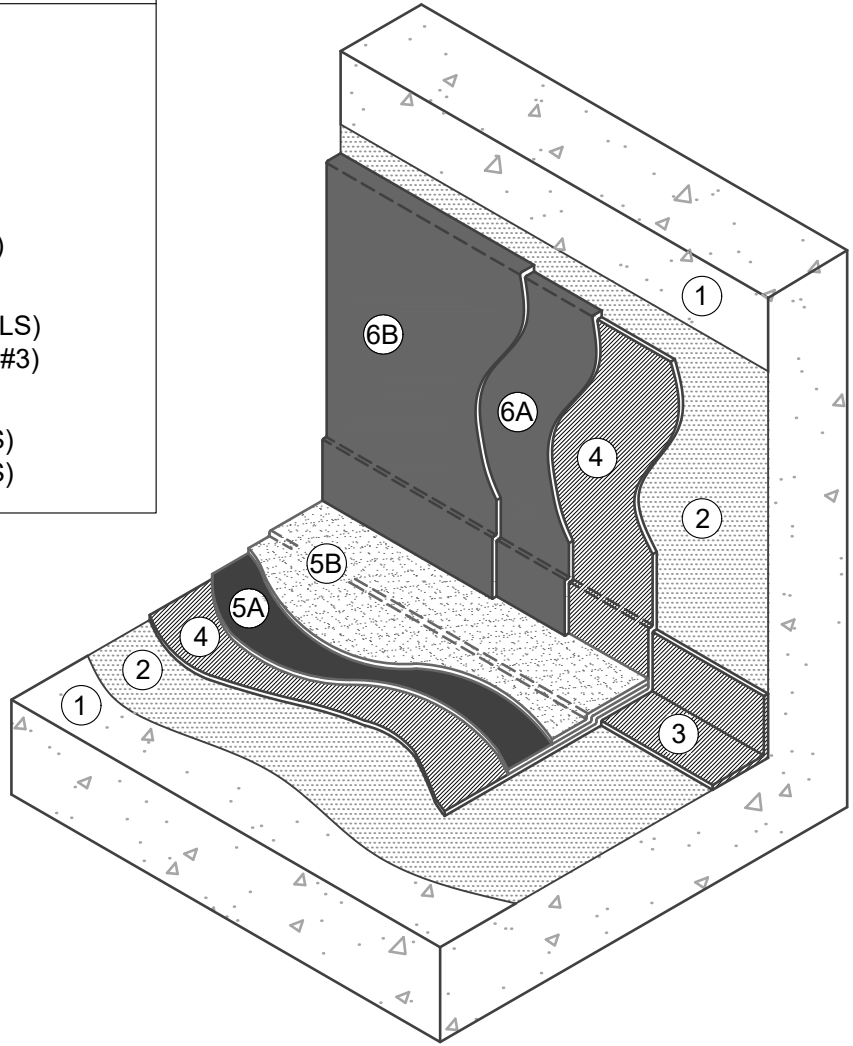


**HENRY PRODEQ SYSTEM
SEQUENCE OF INSTALLATION**

- ① DECK/SUBSTRATE AS SPECIFIED
- ② PRIMER (SEE NOTE #2)
- ③ FLASHING:
HENRY PRODEQ FX 400 (40 MILS)
- ④ WATERPROOFING MEMBRANE:
HENRY PRODEQ FX 400 (100 MILS)
- ⑤ WEAR COAT (100 MILS)
5A - **HENRY GP WEARCOAT** (26 MILS)
5B - DRY SILICA SAND (SEE NOTE #3)
- ⑥ COLOR STABLE TOP COAT:
6A - **HENRY GP TOPCOAT** (10 MILS)
6B - **HENRY GP TOPCOAT** (10 MILS)



NOTES:

1. DETAIL SHOWS HENRY **PRODEQ** SYSTEM WATERPROOFING ASSEMBLY. SUBSTRATE SHOWN IS FOR REFERENCE ONLY. REFER TO PRODUCT SPECIFIC TECHNICAL DATA SHEET FOR AUTHORIZED SUBSTRATES.
2. THE STANDARD PRIMER FOR THE HENRY **PRODEQ** SYSTEM IS **HENRY ST PRIMER** WITH AGGREGATE. OTHER RECOMMENDED PRIMERS INCLUDE: **HENRY LV PRIMER**, **HENRY STXL PRIMER** WITH AGGREGATE, **PUMADEQ PRIMER 20** WITH AGGREGATE AND **HENRY GC EPOXY PRIMER**. REFER TO PRODUCT SPECIFIC DATA SHEET FOR PRODUCT SPECIFIC INFORMATION.
3. FULLY BROADCAST, TO REJECTION, DRY SILICA SAND (SIEVE SIZE: #20-30) INTO WET **HENRY GP WEARCOAT**.
4. PREPARE AND PRIME VERTICAL SUBSTRATES A MINIMUM 2" BEYOND **PRODEQ** SYSTEM APPLICATION IN ACCORDANCE WITH HENRY **PRODEQ** SYSTEM SUBSTRATE PREPARATION GUIDELINES TECH-TALK BULLETIN.
5. DO NOT INSTALL **PRODEQ** SYSTEM BEYOND PRIMED SURFACES.
6. HENRY OFFERS PAVERS, RIGID INSULATION, AND PREFABRICATED DRAINAGE COMPOSITES AS A SINGLE SOURCE WARRANTY OPTION PER PROJECT SPECIFIC REQUIREMENTS (NOT SHOWN FOR CLARITY). CONTACT HENRY FOR SYSTEM CONFIGURATIONS AND WARRANTY OPTIONS.
7. REFER TO **PRODEQ** SYSTEM GUIDE SPECIFICATION FOR RECOMMENDED INSTALLATION PROCEDURES.

Henry[®]

999 N. Pacific Coast Highway, Suite 800
El Segundo, CA 90245
800-486-1278 • www.henry.com

MANUFACTURER GUIDE DETAILS ARE FOR REFERENCE ONLY. HENRY DOES NOT ASSUME RESPONSIBILITY FOR ERRORS OR DEVIATIONS IN DESIGN OR ENGINEERING. PROJECT SPECIFIC VERIFICATION IS RECOMMENDED PRIOR TO INSTALLATION.

PRODEQ SYSTEM - WATERPROOFING ASSEMBLY

SYSTEM DETAIL
TYPICAL PRODEQ SYSTEM
WITH WEAR COAT AND TOP COAT

SCALE: N.T.S.

11-07-2019

PRODEQ-WD