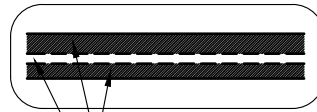


**PUMADEQ™ SYSTEM WATERPROOFING ASSEMBLY
UNREINFORCED FIELD MEMBRANE SEQUENCE OF INSTALLATION**

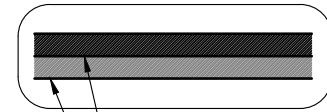
- ① **PUMADEQ™ PRIMER 20 OR HENRY® GC PRIMER**
- ② **PUMADEQ™ FLEX 31MV REINFORCED CORNER FLASHING**
- ③ **PUMADEQ™ FLEX 31MV REINFORCED CORNER FLASHING (3A AND 3B)**
- ④ **PUMADEQ™ FLEX 30SL UNREINFORCED FIELD MEMBRANE**
- ⑤ **OPTIONAL TOP/WEAR COAT AS SPECIFIED PER PROJECT SPECIFIC REQUIREMENTS (NOT SHOWN FOR CLARITY REFER TO PUMADEQ™ SYSTEM DETAILS)**
 - **HENRY® DEQCOAT™ 50 TOP COAT**
 - **PUMADEQ™ GRIP 40 WEAR COAT**

**PUMADEQ™ FLEX 31MV
REINFORCED FLASHING**

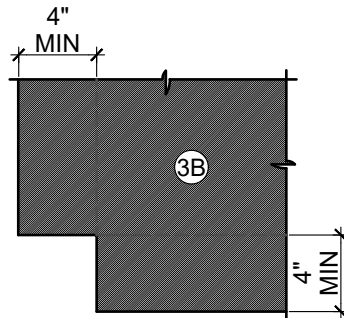
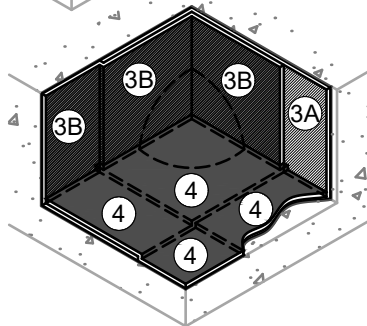
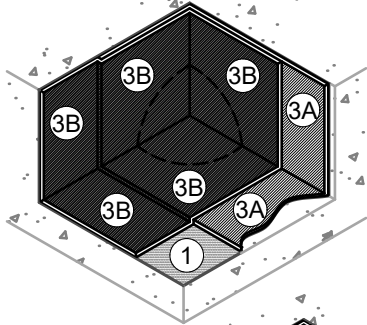
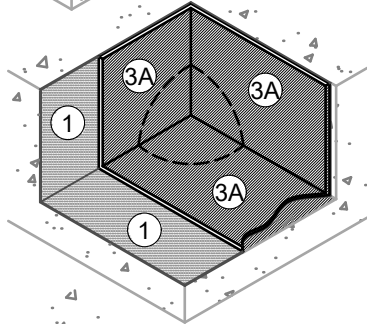
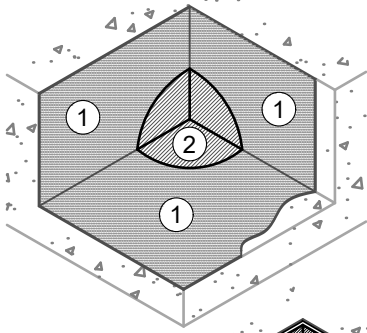


**PUMADEQ™ FLEX 31MV
PUMADEQ™ N-FLEECE**

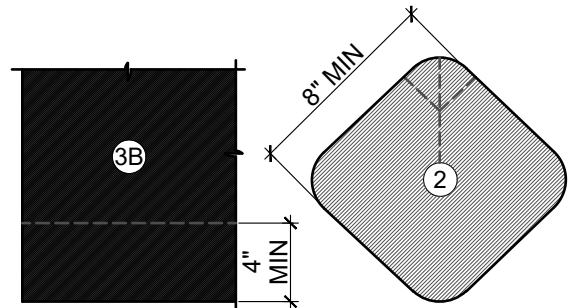
**PUMADEQ™ FLEX 30SL
UNREINFORCED FIELD MEMBRANE**



**PUMADEQ™ FLEX 30SL
(WHITE)
PUMADEQ™ FLEX 30SL
(GRAY)**



**PUMADEQ™ N-FLEECE
CORNER UPTURN FLASHING**



**PUMADEQ™ N-FLEECE
CORNER FLASHING**

NOTES:

1. DETAIL SHOWS HENRY® **PUMADEQ™** SYSTEM WATERPROOFING ASSEMBLY WITH AN UNREINFORCED FIELD MEMBRANE. SUBSTRATE SHOWN IS FOR REFERENCE ONLY. REFER TO PRODUCT SPECIFIC TECHNICAL DATA SHEET FOR AUTHORIZED SUBSTRATES.
2. SURFACE PROFILES MUST MEET ICRI CSP 3-4. IF CSP 5, REFER TO REINFORCED **PUMADEQ™** SYSTEM DETAILS.
3. PREPARE AND PRIME VERTICAL SUBSTRATES A MINIMUM 2" BEYOND **PUMADEQ™** SYSTEM APPLICATION IN ACCORDANCE WITH HENRY® **PUMADEQ™** SYSTEM SUBSTRATE PREPARATION GUIDELINES TECH-TALK BULLETIN.
4. DO NOT INSTALL **PUMADEQ™** SYSTEM BEYOND PRIMED SURFACES.
5. BACK COAT FLEECE ON VERTICAL SUBSTRATES WITH **PUMADEQ™** RESIN.
6. REFER TO PUMADEQ™ SYSTEM GUIDE SPECIFICATION FOR RECOMMENDED INSTALLATION PROCEDURES.

Henry®

999 N. Pacific Coast Highway, Suite 800
El Segundo, CA 90245
800-486-1278 • www.henry.com

MANUFACTURER GUIDE DETAILS ARE FOR REFERENCE ONLY. HENRY® DOES NOT ASSUME RESPONSIBILITY FOR ERRORS OR DEVIATIONS IN DESIGN OR ENGINEERING. PROJECT SPECIFIC VERIFICATION IS RECOMMENDED PRIOR TO INSTALLATION.

PUMADEQ™ SYSTEM - WATERPROOFING ASSEMBLY

**INSIDE CORNERS
UNREINFORCED FIELD MEMBRANE
CORNER FLASHING AT UPTURN**

SCALE: N.T.S.

04-26-2019

PUMADEQ-C2B